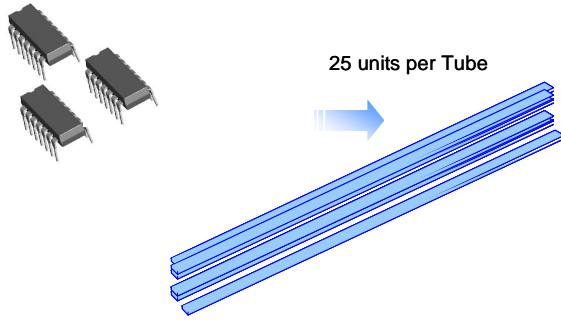


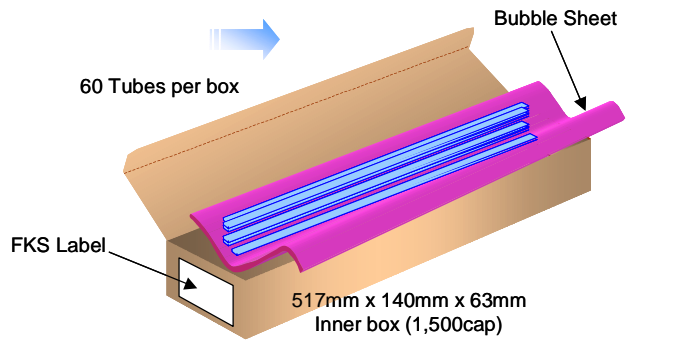
# 14-DIP-300 Tube Packing Data



## 14-DIP-300 Packing Configuration: Figure 1.0

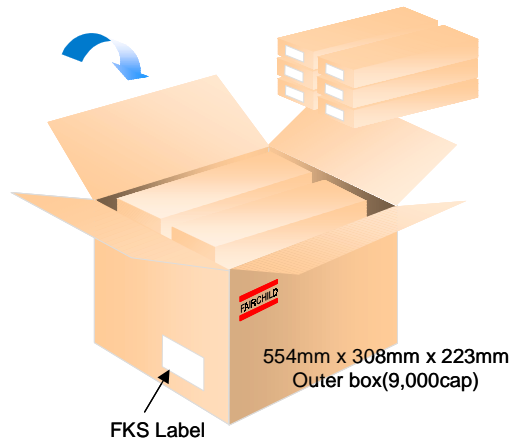


**Packaging Description:**  
 14-DIP-300 parts are shipped in tube. The tube is made of PVC plastic treated with anti-static agent. These tubes in standard option are placed inside a dissipative plastic bubble sheet, barcode labeled, and placed inside a box made of recyclable corrugated paper. One box contains sixty tubes maximum (see fig. 1.0). And one or several of these boxes are placed inside a labeled shipping box which comes in different sizes depending on the number of parts shipped. The units in this option are placed inside a small box laid with anti-static bubble sheet. These smaller boxes are individually labeled and placed inside a larger box. These larger boxes are then placed finally inside a labeled shipping box which still comes in different sizes depending on the number of units shipped.



## 14-DIP-300 Packaging Configuration: Figure 2.0

14-DIP-300 Packaging Information	
Packaging Option	Standard (no flow code)
Packaging type	Rail/Tube
Qty per Tube/Inner Box	25
Inner Box Dimension (mm)	517x140x63
Max qty per Box	1,500
Outer Box Dimension (mm)	554x308x223
Max qty per Box	9,000
Weight per unit (gm)	0.9543
Note/Comments	



**Inner Box Barcode Label Sample**

MBS: NOR    PU: 660    P    00 / 03 / 17  
 ST: LOGO    IB: LOGO    ETC: 06:30  
 HC: 0    PFI: 0    MDC: X  
 DVC: **KA7812-AE**  
 LOT: TKLEE777    QTY: 1000    WM: 0103    01  
 OPTION: 20000025

**Outer Box Barcode Label Sample**

DVC: **KA7812-AE**    00 / 03 / 17  
 LOT: **MSYS777**    M    01    07:30  
 QTY: **12000**  
 A710103105    85708992    7103

## 14-DIP-300 Tube Configuration: Figure 3.0

Note: All dimensions are in mm

