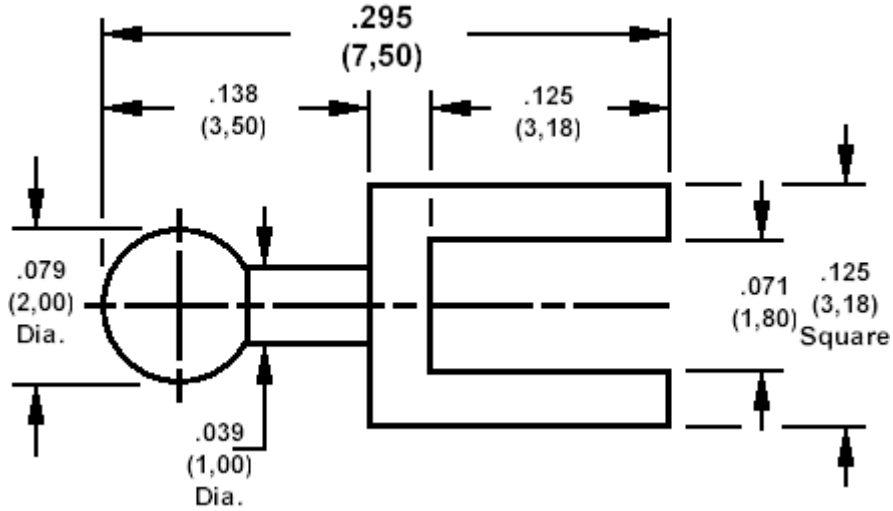


460-8454, Connectaball, edge mount



For use on .062 (1,57) boards only

How to order code
460-8454-01-YY-00
 Basic Part No YY = plating finish

MATERIALS					
Component	Material	Finish			
		-01	-03	-93	-04
Terminal	Brass	Silver	Gold over Nickel		Tin
			50μ" (1,25μM) Au	10μ" (0,25μM) Au	