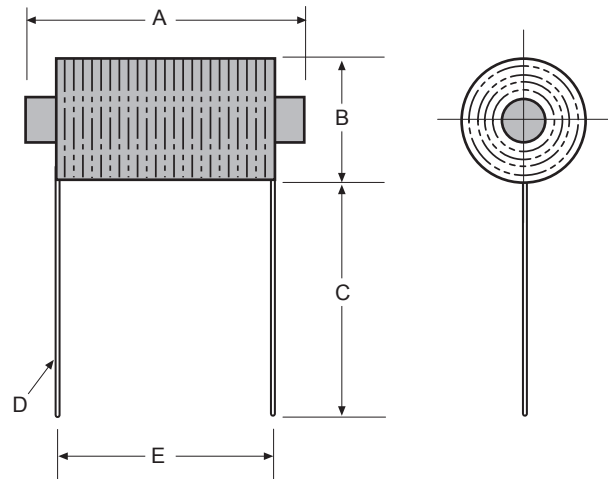




# Radial High Current Chokes RHC50

## Dimensions (In.)

See Table



| Allied Part Number | Inductance (μh) | Rated Current Max. A | DCR Max. (Ω) | SRF Min. (MHz) | Increment Current (A) | A Max. (In.) | B Max. (In.) | C Max. (In.) | D AWG | E +/- .063 |
|--------------------|-----------------|----------------------|--------------|----------------|-----------------------|--------------|--------------|--------------|-------|------------|
| RHC50-3-5R0K-RC    | 5               | 3                    | .015         | 40             | 19                    | .875         | .625         | 1.125        | 18    | .500       |
| RHC50-3-100K-RC    | 10              | 3                    | .081         | 25             | 17                    | 1.125        | .625         | 1.125        | 18    | .687       |
| RHC50-3-270K-RC    | 27              | 3                    | .035         | 8              | 15                    | .875         | .812         | 1.125        | 18    | .437       |
| RHC50-3-500K-RC    | 50              | 3                    | .050         | 5              | 12                    | 1.125        | .812         | 1.125        | 18    | .750       |
| RHC50-3-101K-RC    | 100             | 3                    | .065         | 2.5            | 8                     | 1.125        | .812         | 1.125        | 18    | .937       |
| RHC50-3-151K-RC    | 150             | 3                    | .075         | 2.0            | 5                     | 1.375        | .812         | 1.125        | 18    | 1.062      |
| RHC50-3-251K-RC    | 250             | 3                    | .090         | 1.0            | 3                     | 1.625        | .812         | 1.125        | 18    | 1.312      |
| RHC50-5-5R0K-RC    | 5               | 5                    | .012         | 30             | 20                    | .875         | .640         | 1.125        | 18    | .750       |
| RHC50-5-100K-RC    | 10              | 5                    | .015         | 20             | 18                    | 1.123        | .640         | 1.125        | 16    | 1.00       |
| RHC50-5-270K-RC    | 27              | 5                    | .025         | 7              | 15                    | .875         | .875         | 1.125        | 16    | .559       |
| RHC50-5-500K-RC    | 50              | 5                    | .030         | 4              | 10                    | 1.123        | .875         | 1.125        | 16    | .750       |
| RHC50-5-680K-RC    | 68              | 5                    | .035         | 3.5            | 9                     | 1.123        | .875         | 1.125        | 16    | .875       |
| RHC50-5-101K-RC    | 100             | 5                    | .050         | 2.5            | 7                     | 1.375        | .875         | 1.125        | 16    | 1.00       |
| RHC50-5-151K-RC    | 150             | 5                    | .060         | 2.0            | 5                     | 1.625        | .875         | 1.125        | 16    | 1.25       |
| RHC50-8-151K-RC    | 150             | 8                    | .060         | 2.0            | 8                     | 1.625        | .880         | 1.125        | 16    | 1.25       |
| RHC50-10-5R0K-RC   | 5               | 10                   | .010         | 30             | 19                    | 1.123        | .687         | 1.125        | 14    | .812       |
| RHC50-10-100K-RC   | 10              | 10                   | .012         | 20             | 17                    | 1.375        | .687         | 1.125        | 14    | 1.22       |
| RHC50-10-270K-RC   | 27              | 10                   | .018         | 7              | 15                    | 1.123        | .937         | 1.125        | 14    | .687       |
| RHC50-10-500K-RC   | 50              | 10                   | .025         | 4              | 9                     | 1.375        | .937         | 1.125        | 14    | 1.22       |
| RHC50-10-680K-RC   | 68              | 10                   | .027         | 3.5            | 8                     | 1.375        | .937         | 1.125        | 14    | 1.123      |
| RHC50-10-101K-RC   | 100             | 10                   | .030         | 2.5            | 6                     | 1.625        | .937         | 1.125        | 14    | 1.312      |
| RHC50-15-5R0K-RC   | 5               | 15                   | .008         | 30             | 20                    | 1.375        | .725         | 1.125        | 12    | .937       |
| RHC50-15-100K-RC   | 10              | 15                   | .010         | 20             | 17                    | 1.687        | .725         | 1.125        | 12    | 1.50       |
| RHC50-15-270K-RC   | 27              | 15                   | .015         | 7              | 14                    | 1.375        | 1.00         | 1.125        | 12    | .937       |
| RHC50-15-500K-RC   | 50              | 15                   | .020         | 4              | 9                     | 1.625        | 1.00         | 1.125        | 12    | 1.123      |

All specifications subject to change without notice.

## Features

- Radial leads for direct Printed Circuit Board mounting.
- Pre-tinned leads.
- Inductance range from 5μh to 250μh. Also available in non-standard inductance values.
- Current rating range from 3 Amps to 15 Amps.
- Ideal for use in switching power supplies, filter networks and power amplifiers.

## Electrical

**Inductance:** Measured at 1 KHz with no DC current. Incremental current reduces inductance by 10% or less.

**Tolerance:** 10% over entire inductance range. Available in tighter tolerances.

**Operating Temp:** -55° +105°C