

PLEASE CHECK WWW.MOLEX.COM FOR LATEST PART INFORMATION

Part Number: [0355150301](#)
Status: **Active**
Description: 2.28mm (.090") Tab Housing for Fuel Pump Flange, Female, Sealed, 6.20mm (.244") Pitch, 3 Circuits

Documents:

[Drawing \(PDF\)](#) [RoHS Certificate of Compliance \(PDF\)](#)
[Product Specification PS-35365-001 \(PDF\)](#)

General

| | |
|----------------|-----------------------|
| Product Family | Crimp Housings |
| Series | 35515 |
| Product Name | N/A |

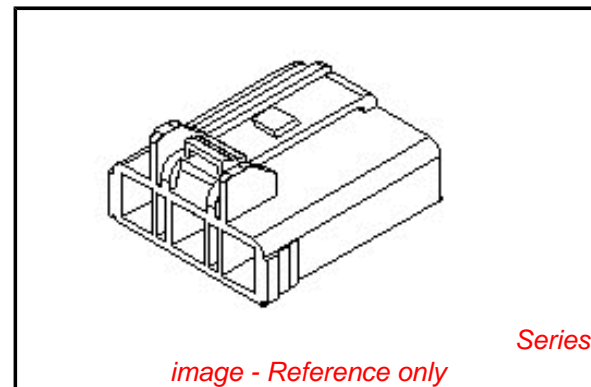
Physical

| | |
|-------------------------------|-----------------|
| Circuits (maximum) | 3 |
| Gender | Female |
| Glow-Wire Compliant | No |
| Number of Rows | 1 |
| Packaging Type | Bag |
| Panel Mount | No |
| Pitch - Mating Interface (in) | 0.244 In |
| Pitch - Mating Interface (mm) | 6.20 mm |
| Stackable | No |
| Temperature Range - Operating | -40°C to +120°C |

Material Info

Reference - Drawing Numbers

| | |
|-----------------------|--------------|
| Product Specification | PS-35365-001 |
| Sales Drawing | SD-35515-001 |



EU RoHS

ELV and RoHS Compliant
REACH SVHC
 Not Reviewed
Halogen-Free Status

China RoHS



Need more information on product environmental compliance?

Email productcompliance@molex.com
 For a multiple part number RoHS Certificate of Compliance, [click here](#)

Please visit the [Contact Us](#) section for any non-product compliance questions.

Search Parts in this Series

[35515Series](#)

Mates With

[35365](#)

Use With

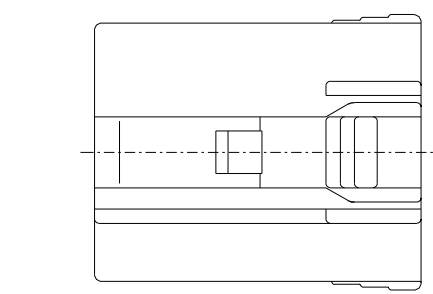
[35407](#)

PLEASE CHECK WWW.MOLEX.COM FOR LATEST PART INFORMATION

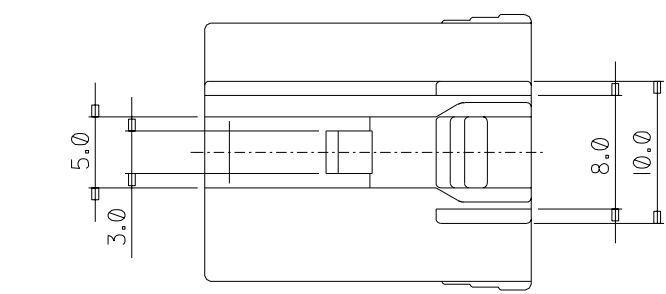
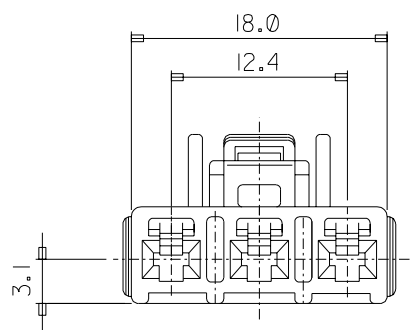
DO NOT SCALE DRAWING
DIMENSION IN METRIC

PROJECT NO.
SIMILAR ITEM

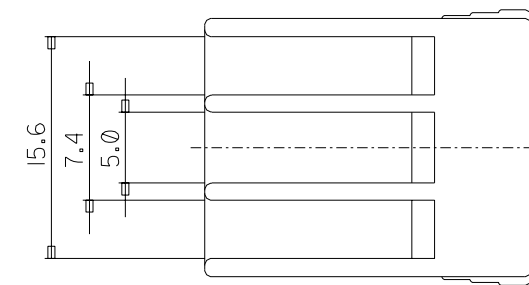
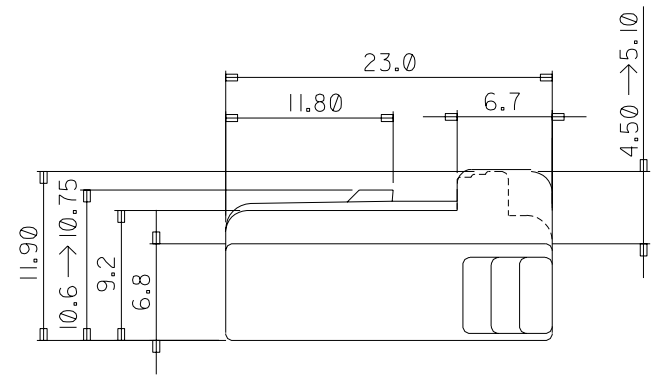
DWG. NO.
SD-35515-03*1



TYPE "A"



TYPE "B"



| NO | MATERIAL NO. | PART NO. | PART NAME | REMARK | COLOR |
|----|--------------|------------|----------------------|----------|---------|
| 1 | 355150301 | 35515-0301 | 3P FEMALE HOUSING-LH | TYPE "A" | NATURAL |
| 2 | 355150311 | 35515-0311 | 3P FEMALE HOUSING-RH | TYPE "B" | BLACK |

NOTES

1. DIMENSIONS GIVEN ACROSS CENTLINES ARE WITHIN HALF THE TOTAL DIMENSIONS.
2. MATERIAL: HOUSING-POLYESTER (PBT),UL94-HB COLOR:NATURAL
3. APPLICABLE FEMALE TERMINAL NO:35407-6102,35407-6202

| | | | | | | | | | | |
|--|--------------------------------------|--|--------------|--|--|--|--|-----------------------------|-----|-----------|
| CHANGED DIM'S EC NO. K092002-009 DRAWN B.C.YOON '02.05.09 CHK: Y.SIK KIM APPR: C.W.LEE | QUALITY SYMBOLS MAJOR CRITICAL | GENERAL TOLERANCES: (UNLESS SPECIFIED) | | SCALE 4/1 | DESIGN UNITS <input checked="" type="checkbox"/> mm <input type="checkbox"/> INCH | DIMENSIONS: <input type="checkbox"/> mm <input type="checkbox"/> INCH <input checked="" type="checkbox"/> mm ONLY | | SHT | REV | |
| | | 4 PLACES ±0. | 3 PLACES ±0. | 2 PLACES ±0. | 1 PLACE ±0.3 | THIRD ANGLE PROJECTION | | 1 | 1/1 | |
| REV | DESCRIPTION | DRAWN BY & DATE Y.SIK KIM 98/03/10 | | CHECKED BY & DATE B.K.CHOI 98/03/12 | | TITLE SFPF FEMALE HSG 3P | | | | |
| | | APPROVED BY & DATE C.W.LEE 98/03/12 | | CAD FILENAME SD35515.DGN | | MATERIAL NO. SEE CHART | | DRAWING NO. SD-35515-001 | | |
| DRAFT WHERE APPLICABLE MUST REMAIN WITHIN DIMENSIONS | | THIS DRAWING CONTAINS INFORMATION THAT IS PROPRIETARY TO MOLEX INCORPORATED AND SHOULD NOT BE USED WITHOUT WRITTEN PERMISSION. | | | | | | SHEET NO. 1/1 | | SIZE D |