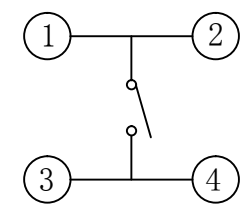
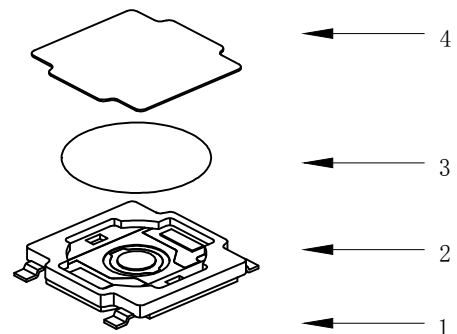


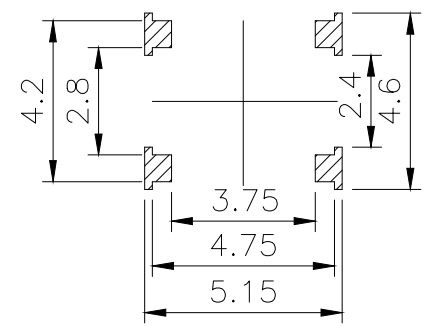
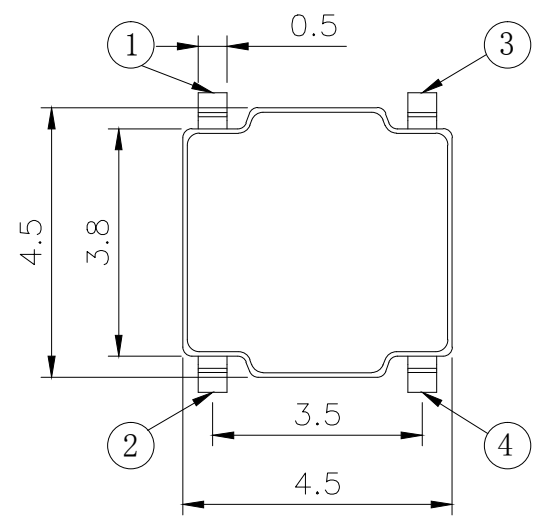
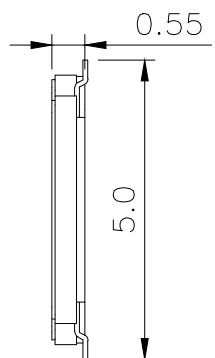
# RoHS

CAD GENERATED DRAWING. DON'T CHANGE BY HAND.

| REV. | ECN. NO. | APPD. |
|------|----------|-------|
|      |          |       |



CIRCUIT DIAGRAM



PCB. WELDING DRAWING

### Specification

|                       |              |
|-----------------------|--------------|
| Rate voltage. current | 50mA DC12V   |
| Contact resistance    | ≤100mΩ       |
| Operating force       | 250±50gf     |
| Travel                | 0.15±0.10mm  |
| Insulated resistance  | ≥100MΩ       |
| Dielectric strength   | ≥250VAC/1min |
| Life cycle            | ≥100000次     |

| ITEM | PART NAME | Q' TY | MATERIAL        | FINSH/COLOR |
|------|-----------|-------|-----------------|-------------|
| 4    | Dust film | 1     | Polyimide       | Orange      |
| 3    | Shrapnel  | 1     | Stainless steel | Silver      |
| 2    | Housing   | 1     | LCP             | Black       |
| 1    | Cards     | 1     | Phosphor copper | Silver      |

|  |            |             |
|--|------------|-------------|
| X. ±0.50   | X.° ±2°    | UNITS<br>mm |
| .X ±0.30   | .X° ±1°    |             |
| .XX ±0.10  | .XX° ±0.5° | MAT'L<br>/  |
| .XXX ±0.05   |            |             |
| THESE DRAWINGS AND SPECIFICATIONS ARE THE PROPERTY OF YIYUAN TECHNOLOGY CO.,LTD AND SHALL NOT BE REPRODUCED, COPIED OR USED IN ANY MANNER WITHOUT THE PRIOR WRITTEN CONSENT OF YIYUAN TECHNOLOGY CO.,LTD |            | FINISH<br>/ |
|  |            | Q' TY<br>/  |

| UNITS<br>mm |       | PART NO.<br><b>YTS-C001-2</b> |  | TITLE:<br><b>TACTILE SWITCH</b>   |  |  |       |       |      |     |     |    |
|-------------|-------|-------------------------------|--|---|--|--|-------|-------|------|-----|-----|----|
| MAT'L<br>/  |       | APPD: ROGER                   |  | DWG NO. :<br><b>YTS-C001-2</b>  |  |  |       |       |      |     |     |    |
| FINISH<br>/ |       | CHKD: ROC                     |  | <table border="1"> <tr> <th>SCALE</th> <th>SHEET</th> <th>REV.</th> </tr> <tr> <td>1/1</td> <td>1/1</td> <td>A1</td> </tr> </table> |  |  | SCALE | SHEET | REV. | 1/1 | 1/1 | A1 |
| SCALE       | SHEET | REV.                          |  |   |  |  |       |       |      |     |     |    |
| 1/1         | 1/1   | A1                            |  |   |  |  |       |       |      |     |     |    |
| Q' TY<br>/  |       | DR: BILLY WANG 2020/08/21     |  |   |  |  |       |       |      |     |     |    |

深圳市怡远科技有限公司  
SHENZHEN YIYUAN TECHNOLOGY CO., LTD