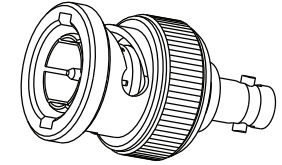


NOTES:

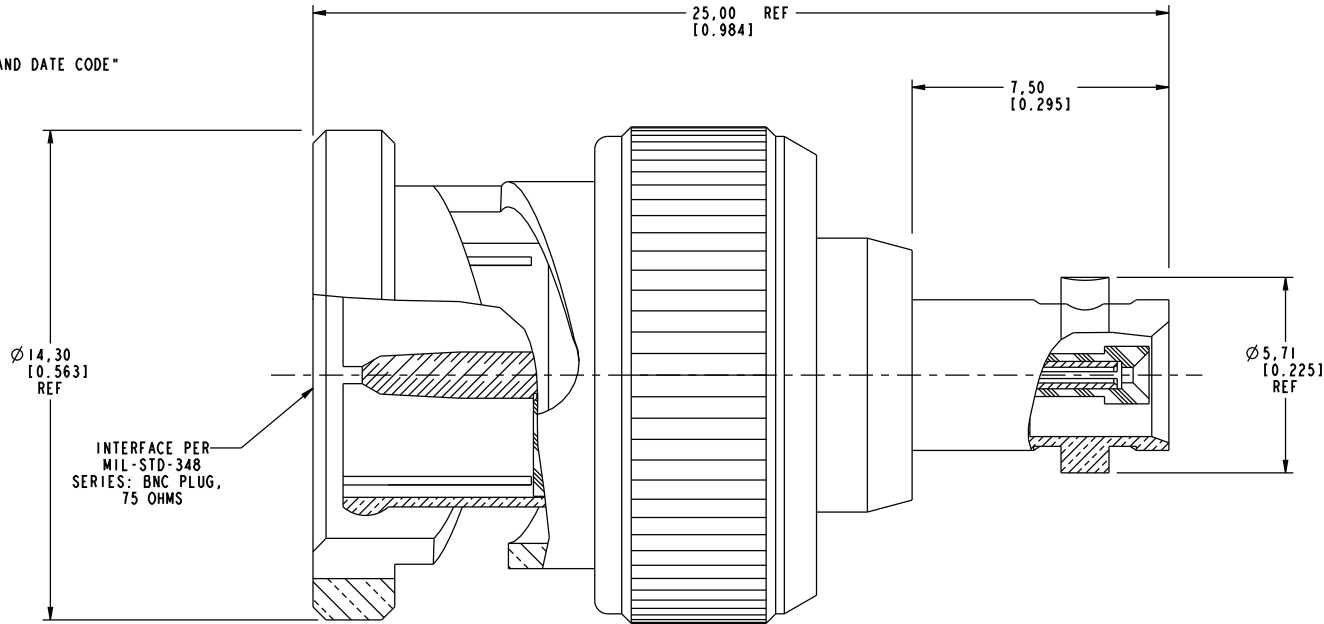
1. MATERIALS AND FINISHES:
 BODY & BAYONET - BRASS, NICKEL PLATING
 CONTACT - BERYLLIUM COPPER, GOLD PLATING
 INSULATOR - PTFE
 GASKET - RUBBER
2. ELECTRICAL:
 A. IMPEDANCE: 75 OHM
 B. FREQUENCY RANGE: DC - 3 GHz
 C. RETURN LOSS: -30 dB
3. MECHANICAL:
 A. DURABILITY: 500 CYCLES MIN.
 B. TEMPERATURE RANGE: -65° C TO +165° C
4. PACKAGING:
 A. QUANTITY: SINGLE PACK
 B. MARKING: BAG TO BE MARKED
 "AMPHENOLRF, APH-BNCP-HDBNCJ, AND DATE CODE"

THIRD ANGLE PROJ.

| REVISIONS | | | | |
|-----------|--------------------|-----------|-----|------|
| REV | DESCRIPTION | DATE | ECO | APPR |
| 1 | PROTOTYPE RELEASE. | 21-May-10 | -- | CL |
| 2 | SEE SHEET 1 | 26-May-10 | -- | CL |



SCALE 2.000



CUSTOMER OUTLINE DRAWING
 ALL OTHER SHEETS ARE FOR INTERNAL USE ONLY

UNLESS OTHERWISE SPECIFIED, DIMENSIONS ARE IN METRIC AND TOLERANCES ARE:
 <0.5mm ± 0.05mm 0.5 - 6mm ± 0.1mm 6 - 30mm ± 0.2mm 30 - 120mm ± 0.3mm ANGLES ± 1°

NOTICE - These drawings, specifications, or other data (1) are, and remain the property of Amphenol Corp. (2) must be returned upon request; and (3) are confidential and not to be disclosed to any person other than those to whom they are given by Amphenol Corp. The furnishing of these drawings, specifications, or other data by Amphenol Corp., or to any other person to anyone for any purpose is not to be regarded by implication or otherwise in any manner licensing, granting rights to permitting such holder or any other person to manufacture, use or sell any product, process or design, patented or otherwise, that may in any way be related to or disclosed by said drawings, specifications, or other data.

| | | | | |
|--------------------------------|---|-------------------|--|--|
| MATERIAL SEE NOTES | DRAWN CLEMENT | DATE 29-Mar-10 | TITLE BNC PLUG TO HD-BNC JACK, 75 OHM ADAPTER | Amphenol RF Danbury CT USA, Tainan, Taiwan, Shenzhen, China www.amphenolrf.com |
| | ENGINEER CLEMENT | DATE 29-Mar-10 | | |
| REFERENCE EAR # | APPROVED | DATE | SCALE: 4.0:1.0 | SHEET 2 OF 2 |
| CONFIGURATION LEVEL: Prototype | CAD FILE Root Folder/BNC/APH-BNCP-HDBNCJ | DWG SIZE B | REV 2 | DRAWING NO. APH-BNCP-HDBNCJ |
| FINISH | | | | ITEM NO. APH-BNCP-HDBNCJ |
| | | | | PART NO. APH-BNCP-HDBNCJ |