

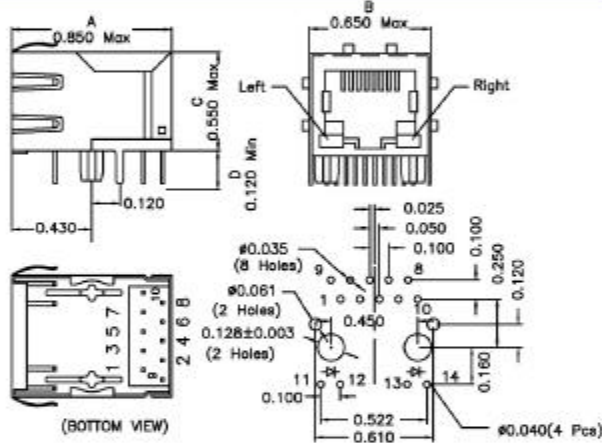
XFMRS

POWER OVER LAN INTEGRATED RJ45

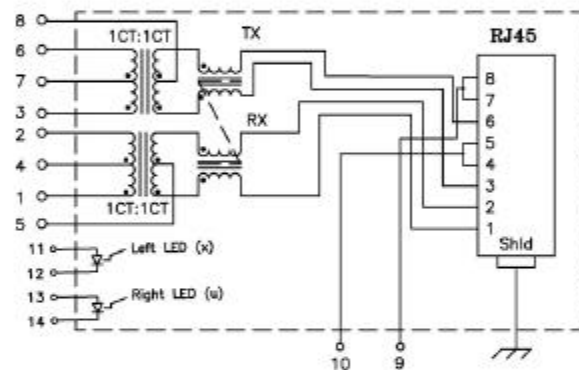
XFMRS Group, worldwide industry leader in integrated connector (COMBO) technology, is proud to introduce its' new POL (Power Over LAN) connector with integrated magnetics. Designed to meet the IEEE 802.3af standard, the XFVOIP5E-CLxu1-4MS allows for the transmission of DC power and data along standard Cat-5 network cables. The 802.3af standard provides for approximately 13W of power to be readily available at any network socket. This is your ideal system for use in applications where portability of a power requiring network device is used.



Mechanical Dimensions:



Schematics:



Electrical Specifications: @25°C

Isolation Voltage:	1500 Vrms (Input to Output)
Isolation Voltage:	500 Vrms (P1+2+3 to P5+6+7)
Turns Ratio:	TX 1CT:1CT ±3% RX 1CT:1CT ±3%
Insertion Loss:	1.2dB Max @1-100 MHz
Return Loss:	1-3MHz 40MHz 50MHz 60-80MHz 16dB 14dB 13dB 12dB (Min)
Differential to Common Mode Rejection:	30MHz 60MHz 1000MHz 50dB 43dB 35dB (Min)
Cross Talk:	30MHz 60MHz 100MHz 43dB 37dB 33dB (Min)
DC Current:	350mA

Notes:

1. Solderability: Leads shall meet MIL-STD-202, Method 208D for solderability.
2. Flammability: UL94V-0
3. ASTM oxygen index: >28%
4. Insulation System: Class F 155°C. UL file E151556
5. Operating Temperature Range: All listed parameters are to be within tolerance from -40°C to +85°C
6. Storage Temperature Range: -55°C to +125°C
7. Aqueous wash compatible

Complete the Combo P/N as follows:

Replace 'x' & 'u' in the part number with one of the five LED color letters:

'x'=Left LED Color	Y=Yellow
'u'=Right LED Color	G=Green
	A=Amber
	R=Red
	YG=Yellow/Green Bicolor

Note: Various port and pin-out configurations are available upon request.

YOUR SUCCESS IS OUR GOAL...

CHECK IT OUT!

www.xfmrs.com

XFMRS, INC. 7570 E. Landersdale Road Camby, Indiana 46113 USA Tel: (317) 834-1066 Fax: (317) 834-1067