



Features

- Available in E12 series
- Low profile - 3.8 mm unit height
- High current
- RoHS compliant*

Applications

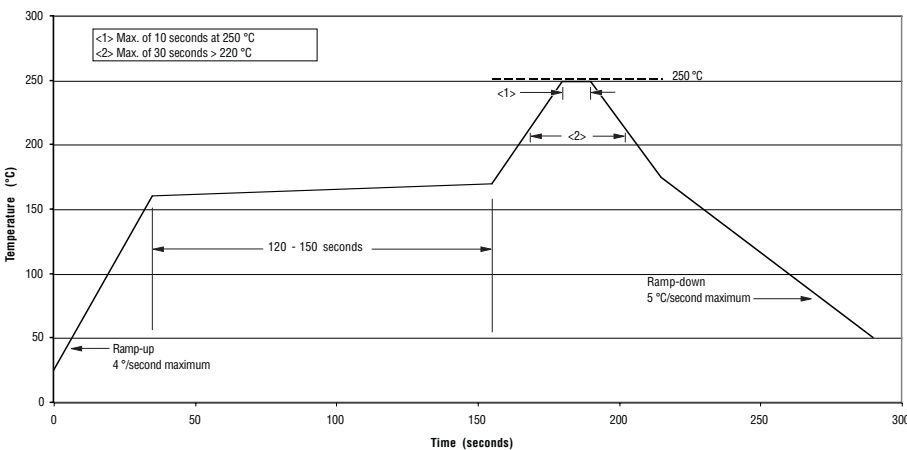
- Input/output of DC/DC converters
- Power supplies for:
 - Portable communication equipment
 - Camcorders
 - LCD TVs
 - Car radios

SRR0804 Series - Shielded Power Inductors

Electrical Specifications

| Bourns Part No. | Inductance 1kHz | | Q Ref. | Test Frequency (MHz) | SRF Min. (MHz) | RDC Max. (Ω) | I rms Max. (A) | I sat Typ. (A) |
|-----------------|-----------------|--------|--------|----------------------|----------------|--------------|----------------|----------------|
| | (μH) | Tol. % | | | | | | |
| SRR0804-5R0M | 5.0 | ± 20 | 20 | 7.96M | 45.0 | 0.08 | 1.70 | 2.80 |
| SRR0804-7R5M | 7.5 | ± 20 | 20 | 7.96M | 40.0 | 0.10 | 1.40 | 2.60 |
| SRR0804-100M | 10 | ± 20 | 38 | 2.52M | 32.0 | 0.12 | 1.20 | 2.20 |
| SRR0804-120M | 12 | ± 20 | 38 | 2.52M | 28.0 | 0.15 | 1.10 | 1.90 |
| SRR0804-150M | 15 | ± 20 | 38 | 2.52M | 25.0 | 0.17 | 1.00 | 1.60 |
| SRR0804-180Y | 18 | ± 15 | 35 | 2.52M | 23.0 | 0.19 | 0.90 | 1.50 |
| SRR0804-220Y | 22 | ± 15 | 30 | 2.52M | 22.0 | 0.25 | 0.80 | 1.30 |
| SRR0804-270Y | 27 | ± 15 | 28 | 2.52M | 18.0 | 0.27 | 0.70 | 1.30 |
| SRR0804-330Y | 33 | ± 15 | 26 | 2.52M | 17.0 | 0.30 | 0.65 | 1.10 |
| SRR0804-390Y | 39 | ± 15 | 26 | 2.52M | 16.0 | 0.38 | 0.60 | 1.00 |
| SRR0804-470K | 47 | ± 10 | 24 | 2.52M | 14.0 | 0.46 | 0.55 | 0.95 |
| SRR0804-560K | 56 | ± 10 | 24 | 2.52M | 12.0 | 0.60 | 0.50 | 0.85 |
| SRR0804-680K | 68 | ± 10 | 22 | 2.52M | 11.0 | 0.70 | 0.45 | 0.80 |
| SRR0804-820K | 82 | ± 10 | 20 | 2.52M | 10.0 | 0.80 | 0.40 | 0.73 |
| SRR0804-101K | 100 | ± 10 | 50 | 0.796M | 9.0 | 0.95 | 0.37 | 0.65 |
| SRR0804-121K | 120 | ± 10 | 50 | 0.796M | 8.5 | 1.00 | 0.35 | 0.55 |
| SRR0804-151K | 150 | ± 10 | 53 | 0.796M | 7.0 | 1.30 | 0.30 | 0.50 |
| SRR0804-181K | 180 | ± 10 | 53 | 0.796M | 6.0 | 1.45 | 0.28 | 0.45 |
| SRR0804-221K | 220 | ± 10 | 55 | 0.796M | 5.5 | 1.90 | 0.24 | 0.40 |
| SRR0804-271K | 270 | ± 10 | 50 | 0.796M | 5.5 | 2.15 | 0.22 | 0.35 |
| SRR0804-331K | 330 | ± 10 | 60 | 0.796M | 5.0 | 2.80 | 0.19 | 0.32 |
| SRR0804-391K | 390 | ± 10 | 55 | 0.796M | 4.5 | 3.30 | 0.17 | 0.30 |
| SRR0804-471K | 470 | ± 10 | 60 | 0.796M | 4.0 | 3.60 | 0.16 | 0.28 |

Soldering Profile



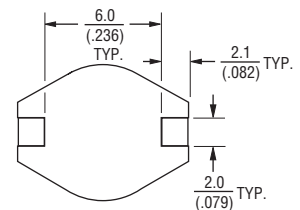
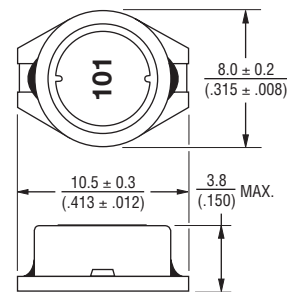
General Specifications

Test Voltage.....1 V
 Reflow soldering.....250 °C; 10 sec max.
 (In compliance with JEDEC, J-STD-020C, Table 4-2)
 Operating Temperature...-40 °C to +125 °C
 (Temperature rise included)
 Storage Temperature...-40 °C to +125 °C
 Resistance to Soldering Heat
250 °C, 10 sec. max.

Materials

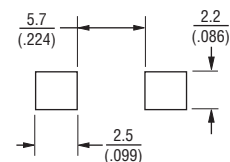
Core.....Ferrite DR&RI
 Wire.....Enamelled copper
 Base.....LCP E4008
 Terminal.....Cu/Ni/Sn
 Rated Current
Ind. drop 10 % typ. at Isat
 Temperature Rise
40 °C max. at rated Irms
 Packaging.....1000 pcs. per reel

Product Dimensions



DIMENSIONS: $\frac{\text{MM}}{\text{(INCHES)}}$

Recommended Layout

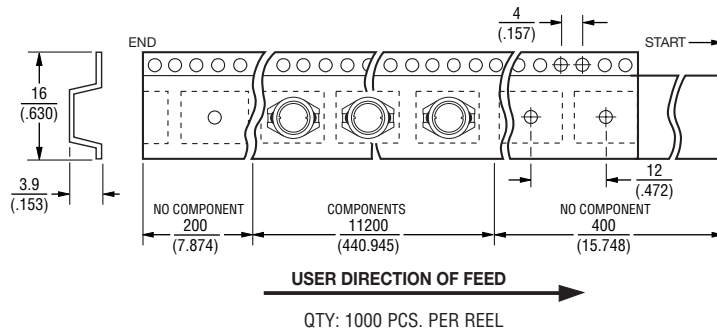
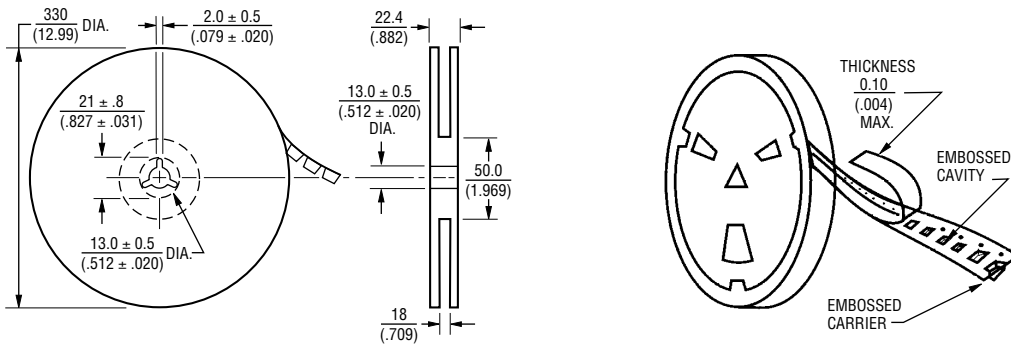


*RoHS Directive 2002/95/EC Jan 27, 2003 including Annex. Specifications are subject to change without notice. Customers should verify actual device performance in their specific applications.

SRR0804 Series - Shielded Power Inductors

BOURNS®

Packaging Specifications



REV. 09/11

Specifications are subject to change without notice.
Customers should verify actual device performance in their specific applications.