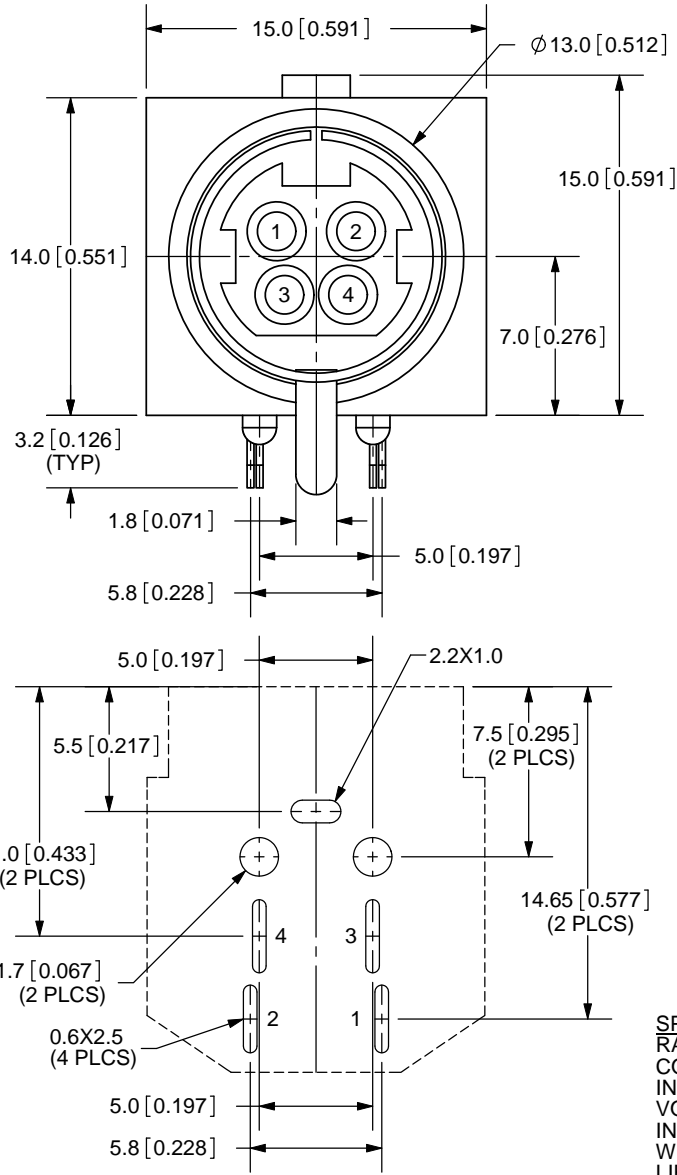
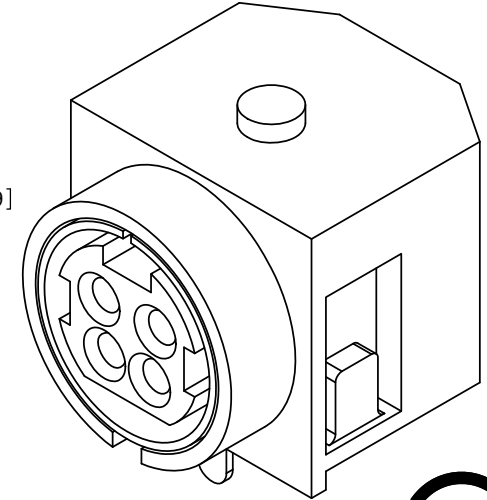
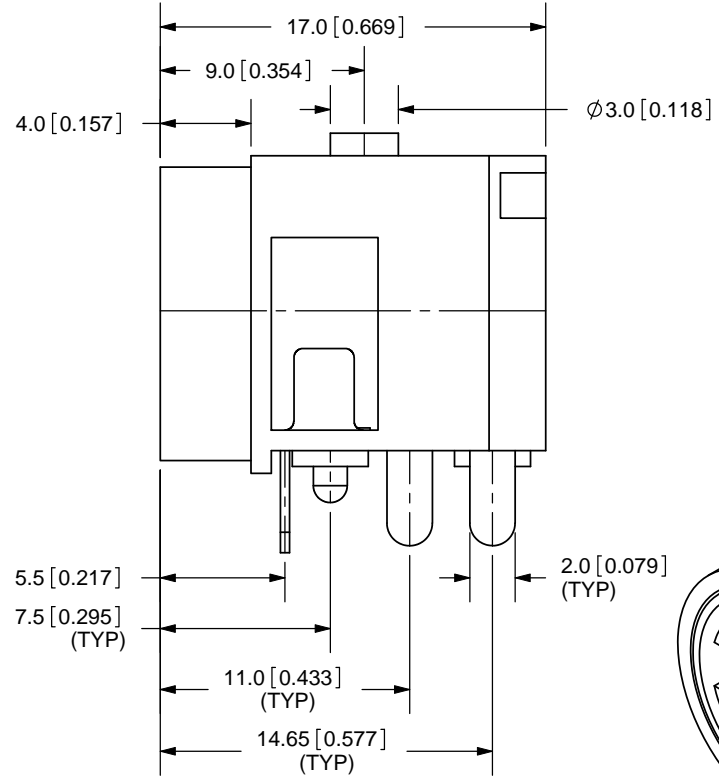


REV.	DESCRIPTION	DATE
A	NEW DRAWING	11/19/2008
B	update to tolerance	9/8/2009



PCB LAYOUT
TOP VIEW



TOLERANCE:
±0.2mm UNLESS OTHERWISE
SPECIFIED



SPECIFICATIONS:
 RATING: 20V DC @ 7.5A
 CONTACT RESISTANCE: 30m OHMS MAX
 INSULATION RESISTANCE: 50M OHMS MIN: 250V DC
 VOLTAGE WITHSTAND: 250V AC R.M.S. FOR 1 MINUTE
 INSERTION FORCE: 6.0KG MAX
 WITHDRAWAL FORCE: 0.5 - 6.0KG
 LIFE: 1,000 CYCLES

PC FILE NAME:
PD-40

COPYRIGHT 2008 BY CUI INC.

	MATERIAL	PLATING
TERMINALS 1-4	Brass	Tin
EARTH TERMINAL	Brass	Tin
HOUSING	PBT	



20050 SW 112th Ave.
Tualatin, OR 97062
Phone: 503-612-2300
800-275-4899
Fax: 503-612-2383
Website: www.cui.com

TITLE: 4-PIN POWER DIN JACK, RIGHT ANGLE, NO SHIELDING		REV: B
PART NO. PD-40	UNITS: MM [INCHES]	
DRAWN BY: ZRJ	APPROVED BY:	SCALE: 3:1