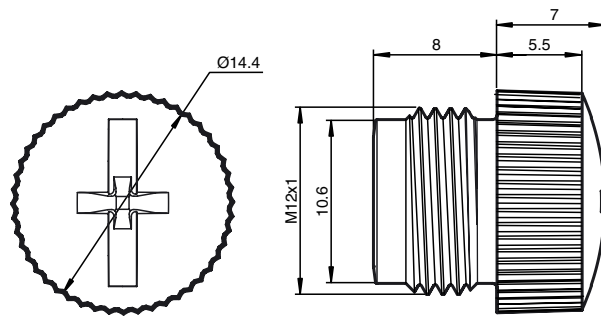




Dimensions



Model number

VAZ-V1-B3

Blind plug for M12 sockets

Accessories

MH V1-BIT M12

plug-in cap M12

MH V1-SCREWDRIVER

torque screwdriver (0.4 Nm)

Technical data

Mechanical specifications

Protection class	With this blind plug a specified IP protection of up to IP68/69K of a device can be achieved.
Connection	M12 x 1
Material	PA66 GF25, UL94V0
Installation	Philips screwdriver H3, size 3 Flat-head screwdriver 1.2 x 8 or 1.6 x 10 Knurling tool MH V1-BIT M12
Tightening torque, fastening screws	0.4 Nm