

Customer Information Sheet

DRAWING No.: M50-350XX42

SHEET 2 OF 2

IF IN DOUBT - ASK

©

NOT TO SCALE

THIRD ANGLE PROJECTION

ALL DIMENSIONS IN mm

NOTES:

1. ALL TOLERANCES ARE ± 0.25 UNLESS OTHERWISE STATED.
2. RECOMMENDED HOLE SIZE = $\varnothing 0.65 \pm 0.05\text{mm}$.

SPECIFICATION:

MATERIAL:

MOULDING = HIGH TEMP THERMOPLASTIC UL94V-0, BLACK

CONTACT = HIGH STRENGTH COPPER ALLOY

FINISH (CONTACT):

42 = GOLD ON CONTACT AREA, 100% TIN ON TAILS

ELECTRICAL:

CURRENT RATING (ALL CONTACTS ARE ELECTRICALLY LOADED) = 1A MAX

CONTACT RESISTANCE = 30 mΩ MAX

INSULATION RESISTANCE = 5,000 MΩ MIN

DIELECTRIC STRENGTH = 500V AC/DC

MECHANICAL:

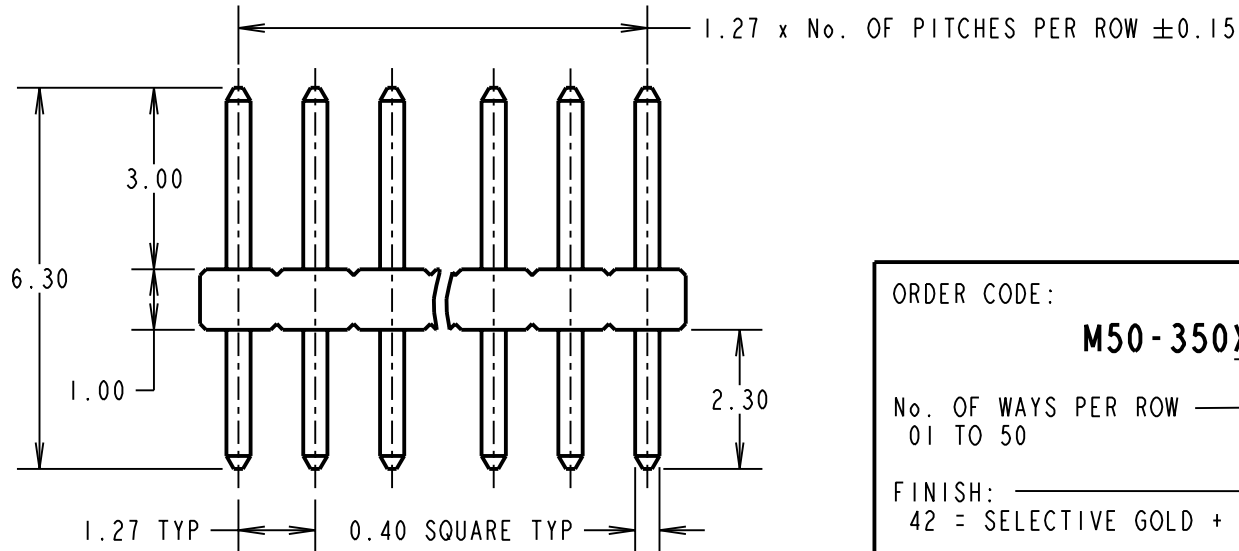
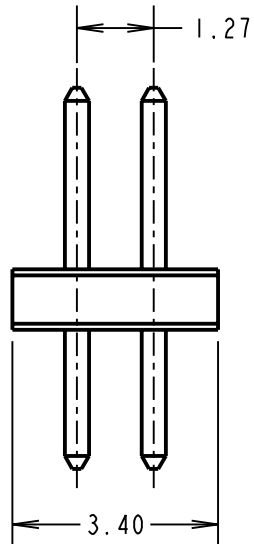
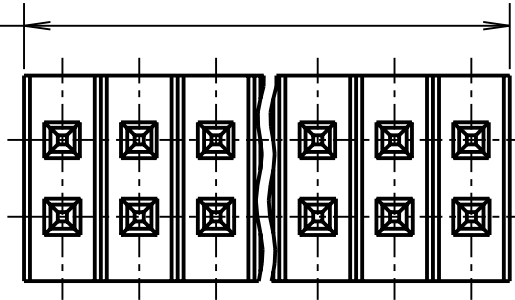
DURABILITY = 600 OPERATIONS

ENVIRONMENTAL:

TEMPERATURE RANGE = -40°C TO +105°C

FOR COMPLETE SPECIFICATION, SEE COMPONENT SPECIFICATION C029XX (LATEST ISSUE)

1.27 x No. OF WAYS PER ROW ± 0.40



ORDER CODE:
M50-350XX42

No. OF WAYS PER ROW _____
01 TO 50

FINISH: _____
42 = SELECTIVE GOLD + 100% TIN

CP	9	21.04.10	10756
NAME	ISS.	DATE	C/NOTE
APPROVED:		C. PENROSE	
CHECKED:		R. ADDE	
DRAWN:		W. J. BOURNE	
CUSTOMER REF.:			
ASSEMBLY DRG:			

HARWIN

HARWIN USA
TEL: 603 893 5376
FAX: 603 893 5396
mis@harwin.com

HARWIN Europe (UK)
TEL: 023 9231 4545
FAX: 023 9231 4590
mis@harwin.co.uk

HARWIN Asia
TEL: +65 6 779 4909
FAX: +65 6 779 3868
mis@harwin.com.sg

THIS DRAWING AND ANY INFORMATION OR DESCRIPTIVE MATTER SET OUT HEREON ARE CONFIDENTIAL AND COPYRIGHT PROPERTY OF THE HARWIN GROUP AND MUST NOT BE DISCLOSED, LOANED, COPIED OR USED FOR MANUFACTURING, TENDERING OR FOR ANY OTHER PURPOSE WITHOUT THEIR WRITTEN PERMISSION.

TOLERANCES

~~X = $\pm 1\text{mm}$~~
~~X.X = $\pm 0.25\text{mm}$~~
~~X.XX = $\pm 0.10\text{mm}$~~
~~X.XXX = $\pm 0.01\text{mm}$~~

ANGLES = $\pm 5^\circ$
UNLESS STATED

MATERIAL:

SEE ABOVE

FINISH:

SEE ABOVE

S/AREA:

mm²

TITLE:

1.27mm PITCH DIL
VERTICAL PIN HEADER

DRAWING NUMBER:

M50-350XX42

SHT
2
OF
2