

SG-24F

THREE PHASE SOLID STATE RELAY 10 THRU 25 AMPS 36 TO 440 VRMS

FEATURES

- Photo isolation
- LED status indicator
- Up to 800V blocking voltage
- Both "Zero Voltage" and phase controllable "Random" Switching versions
- High surge capability
- Built-in snubber
- Triac Output Circuitry
- UL, CUR approval pending



INPUT

Type	D38 X Z10	D38 X Z15	D38 X Z25
Control Voltage Range	3 to 32 VDC		
Turn On Voltage	3 VDC max.		
Turn Off Voltage	1 VDC min.		
Max. Input Current	35 mA at 32 VDC		
Max. Reverse Voltage	-32 VDC		

OUTPUT

Operating Voltage Range	36 to 440 Vrms		
Blocking Voltage	800 Vpk		
Type	D38 X Z10	D38 X Z15	D38 X Z25
Load Current Range (A)	0.1 to 10	0.1 to 15	0.1 to 25
Max. Surge Current (1/2 Cycle)	100 Apk	150 Apk	250 Apk
Max. Leakage Current	3 mA	5 mA	10 mA
Voltage On-state Drop (max.)	1.5 Vrms		
Max. Turn-on Time	1/2 cycle plus 1 ms		
Max. Turn-off Time	1/2 cycle plus 1 ms		
Min. Off-state Dv/Dt at Maximum Rated Voltage	200 V/us		
Min. Power Factor Allowable	0.5		

GENERAL

Dielectric Strength	4000 Vrms min. (at 50/60 Hz, 1 min.)
Insulation Resistance	1000 megohms min. (at 500 VDC)
Max. Capacitance (in/out)	8 pf
Ambient Temperature	Operating: -30°C (-22°F) to 80°C (176°F) Storage: -30°C (-22°F) to 100°C (212°F)
Mounting	Panel Mount
Termination	Screw
Weight	315 g



AMERICAN ZETTLER, INC.

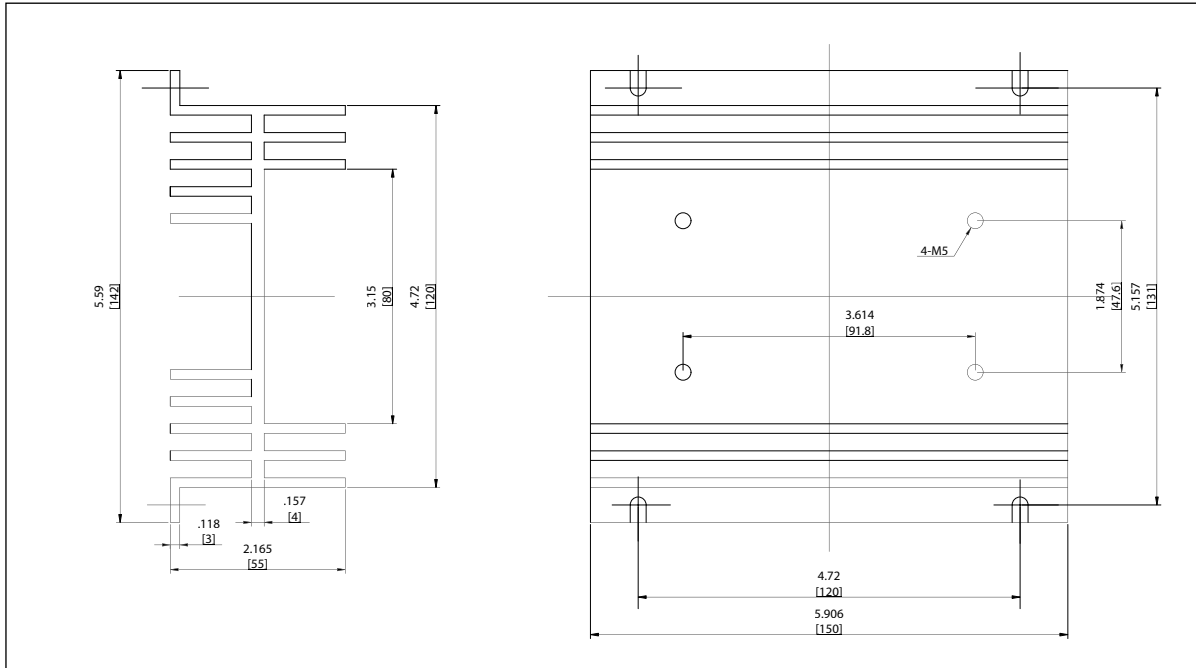
www.azettler.com

75 COLUMBIA • ALISO VIEJO, CA 92656 • PHONE: (949) 831-5000 • FAX: (949) 831-8642 • E-MAIL: SALES@AZETTLER.COM

7/16/08W

SG-24F

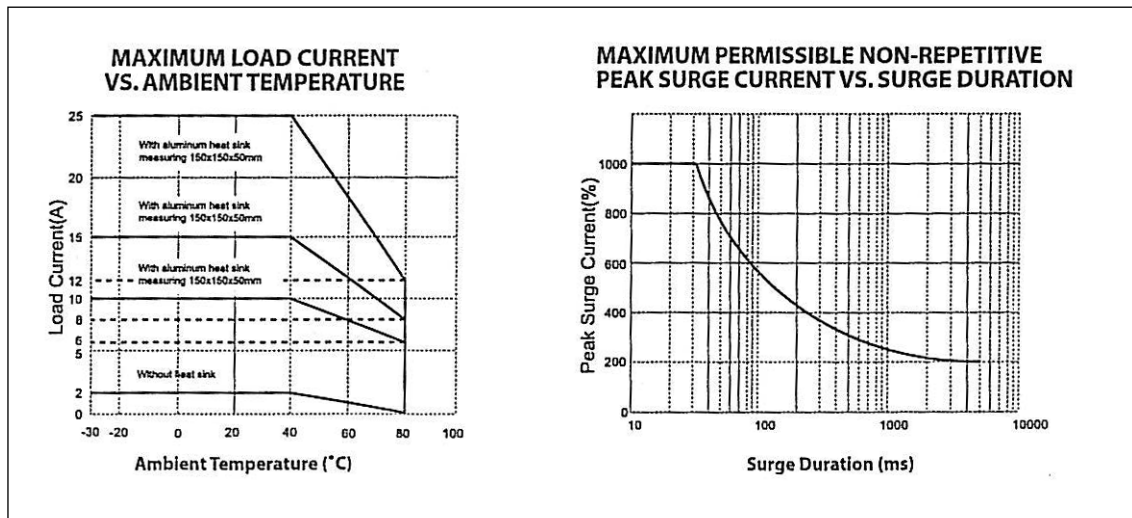
HEAT SINK SF92B-150



HARDWARE ORDERING DATA

DESCRIPTION	ORDER NUMBER
Heat Sink	SF92B-150

CHARACTERISTICS CURVE



AMERICAN ZETTLER, INC.

www.azettler.com

75 COLUMBIA • ALISO VIEJO, CA 92656 • PHONE: (949) 831-5000 • FAX: (949) 831-8642 • E-MAIL: SALES@AZETTLER.COM

7/16/08W