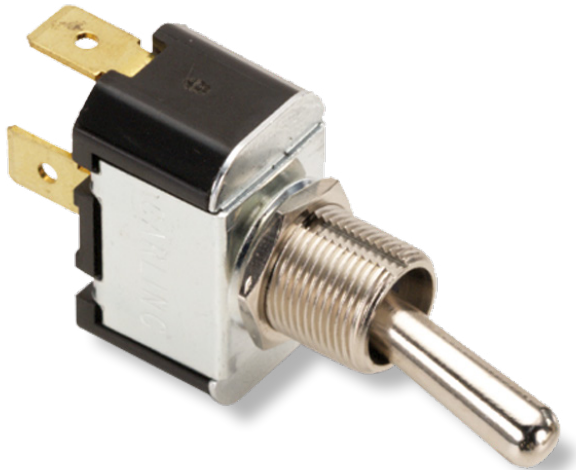
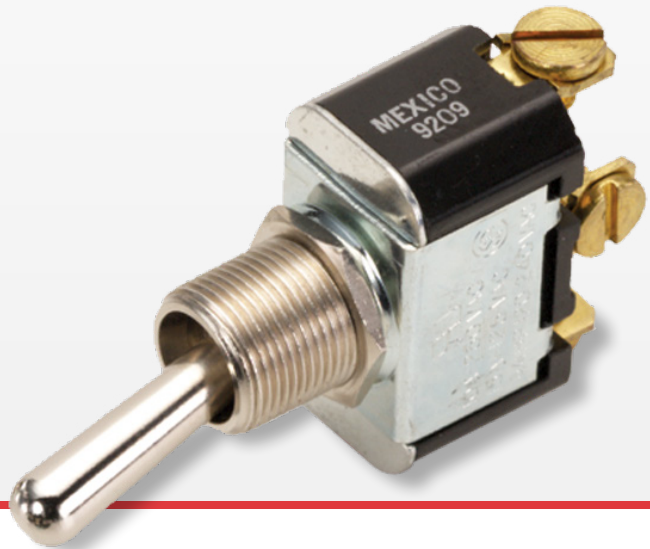


F-Series

Single Pole Toggle Switches

PRODUCT WEBPAGE

request sample, configure part



General purpose workhorses with options tailored to meet most any need. Ratings to 20A 277VAC, various actuator, bushing, termination, and circuit choices allow this versatile switch to easily integrate into a variety of different applications. The F-Series is appropriate for usage in low voltage DC applications.

1	3-20	125, 250	12-24
Pole	Amps	VAC	VDC

Typical Applications

- Marine
- Food Service
- Generator
- Industrial Control
- Office Automation

Tech Specs

Dielectric Strength

1000V - live to dead metal parts

Electrical Life

50,000 cycles - maintained
25,000 cycles - momentary

Operating Temperature

0°F to 150°F (-17.8°C to +65.6°C)

Ordering Scheme

Sample Part Number 2FA54 - 73 / TABS

Selection 1 2 3

1. SERIES

	Solder Lug	.250 Tab QC	Screw Terminals
10A 250VAC; 15A 125VAC; 3/4 HP 125-250VAC			
On-None-Off	2FA53	2FA53-.../TABS	2FA54
(On)-None-Off	6FA53	6FA53-.../TABS	6FA54
On-None-(Off)	6FA57	6FA57-.../TABS	6FA58
On-None-On	2FB53	2FB53-.../TABS	2FB54
On-None-(On)	6FB53	6FB53-.../TABS	6FB54
On-Off-On	2FC53	2FC53-.../TABS	2FC54
On-Off-(On)	6FC57	6FC57-.../TABS	6FC58
(On)-Off-(On)	6FC53	6FC53-.../TABS	6FC54

Additional ratings up to 20A 125VAC, 12A 250VAC, 1HP 120-240 VAC available. Consult factory for specifics.

3. TAB TERMINALS

/TABS	Tab Terminals
(blank)	Leave blank if tab terminals not required.

Notes:

- 1 Consult factory for .187 tab, wire lead and combination screw/tab/solder lug termination callouts.
- 2 Additional toggle options are available. Consult factory.
- 3 () indicates momentary function.

[Configure Complete Part Number >](#)

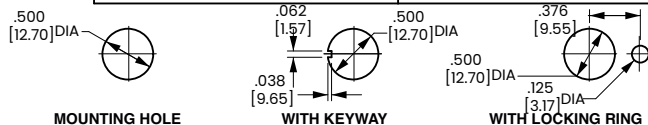
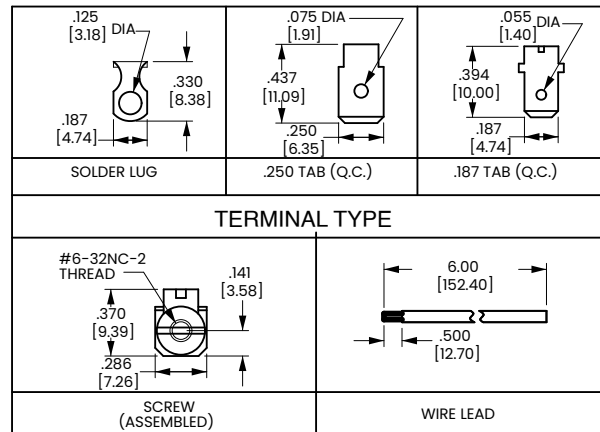
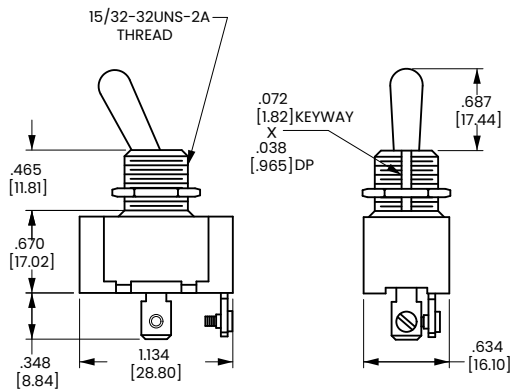
[Browse Standard Parts >](#)

2. ACTUATOR STYLE

BAT STYLE TOGGLE 2		toggle length	bushing length
unsealed	sealed		
73	78	0.687	0.465
E3	E8	2.000	0.465

Dimensional Specs

inches [millimeters]



Authorized Sales Representatives and Distributors

Click on a region of the map below to find your local representatives and distributors or visit www.carlingtech.com/findarep.



About Carling

Founded in 1920, Carling Technologies is a leading manufacturer of electrical and electronic switches and assemblies, circuit breakers, electronic controls, power distribution units, and multiplexed power distribution systems. With six ISO9001 and IATF16949 registered manufacturing facilities and technical sales offices worldwide, Carling Technologies Sales, Service and Engineering teams do much more than manufacture electrical components, they engineer powerful solutions! To learn more about Carling please visit www.carlingtech.com/company-profile.

To view all of Carling's environmental, quality, health & safety certifications please visit www.carlingtech.com/environmental-certifications.

© Carling Technologies, Inc.

3. Carling is a registered trademark of Carling Technologies, Inc. in the U.S. and other countries.