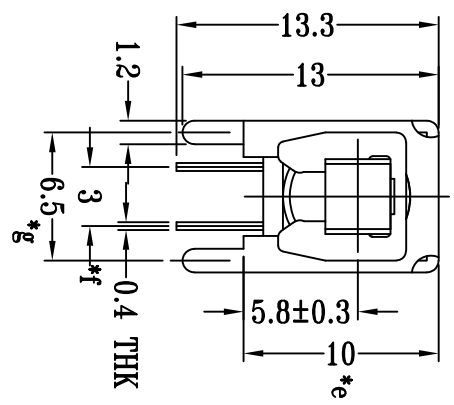
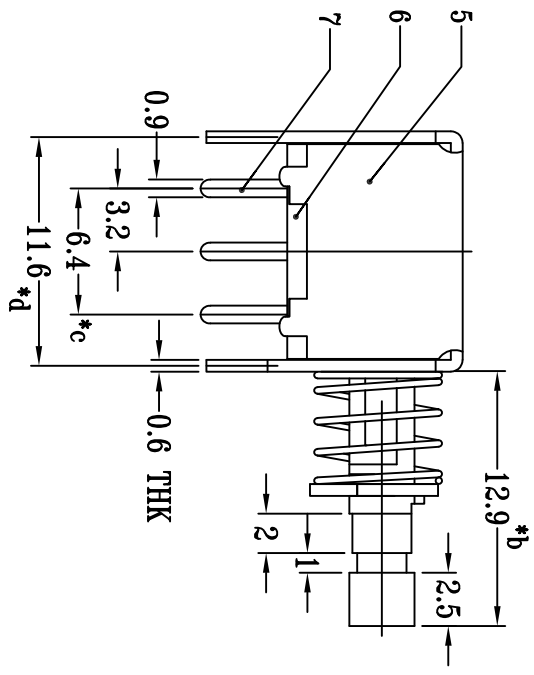
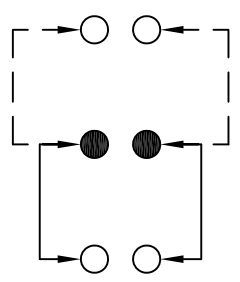


P.C.B LAYOUT
BOTTOM VIEW

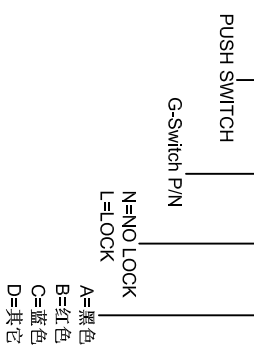


注：“*”表示关键尺寸(7个)



SCHEMATIC (NON-SHORTING)

PS-22F03XX



- A=黑色
- B=红色
- C=蓝色
- D=其它

G-Switch Specification:

Electrical Specifications: 0.5A 30VDC
 Contact Resistance: ≤100mΩ
 Insulation Resistance: ≥100MΩ DC125V
 Withstand Voltage: AC125V 1 minute
 Operating Temperature: -25°C~+65°C
 Storage Humidity: ≤85%/RH
 Electrical Life: 10,000
 Mechanical Life: 100,000



G-Switch Electronic (HongKong) CO.,Ltd.

DESIGN	Bright Lee	DATE	2016.05.29	Mold code:	
CHECKED		DATE		PS-22F03	
APPROVED		DATE			
http://www.dg-switch.com				REV.: X1	SCALE: 4:1
TEL:0769-82388879				SIZE: A4	SHEET: 1/1

Unless otherwise specified, Tolerance:
 X ±0.30
 X.X ±0.20
 X.XX ±0.15
 X.XXX ±0.10
 Angles ±3