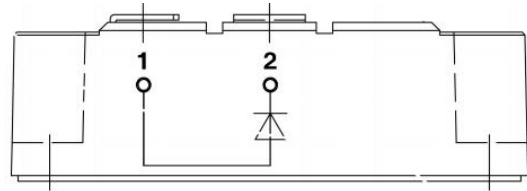


### FEATURES

- High surge current capability
- Designed and qualified for industrial and consumer level
- Minimum Lot-to-Lot variations for robust device performance and reliable operation



### APPLICATIONS

- Field supply for DC motors
- Non-controllable rectifiers for AC/AC converters
- Line rectifiers for transistorized AC motor controller

### ABSOLUTE MAXIMUM RATINGS

SYMBOL	PARAMETER	CONDITIONS	VALUE	UNIT
$V_{RRM}$	Repetitive Peak Reverse Voltage	$V_{RRM}$ $t_p=10ms$ , $V_{RSM}=V_{RRM}+200V$	1600	V
$I_{F(AV)}$	Average Forward Current	$T_C=100^{\circ}C$ , 180° conduction, half sine wave	160	A
$I_{FSM}$	Surge Forward Current	$t=10m$ , half sine wave, $V_R=0.6V_{RRM}$	4.6	KA
$I^2t$	$I^2t$ for fusing		106	$A^2s*10^3$
$V_{iso}$	isolation voltage	50Hz, R.M.S, $t=1min$ , liso:1mA(max)	3500	v
$T_J$	Junction Temperature		-40~125	$^{\circ}C$
$T_{stg}$	Storage Temperature		-40~125	$^{\circ}C$

### THERMAL CHARACTERISTICS

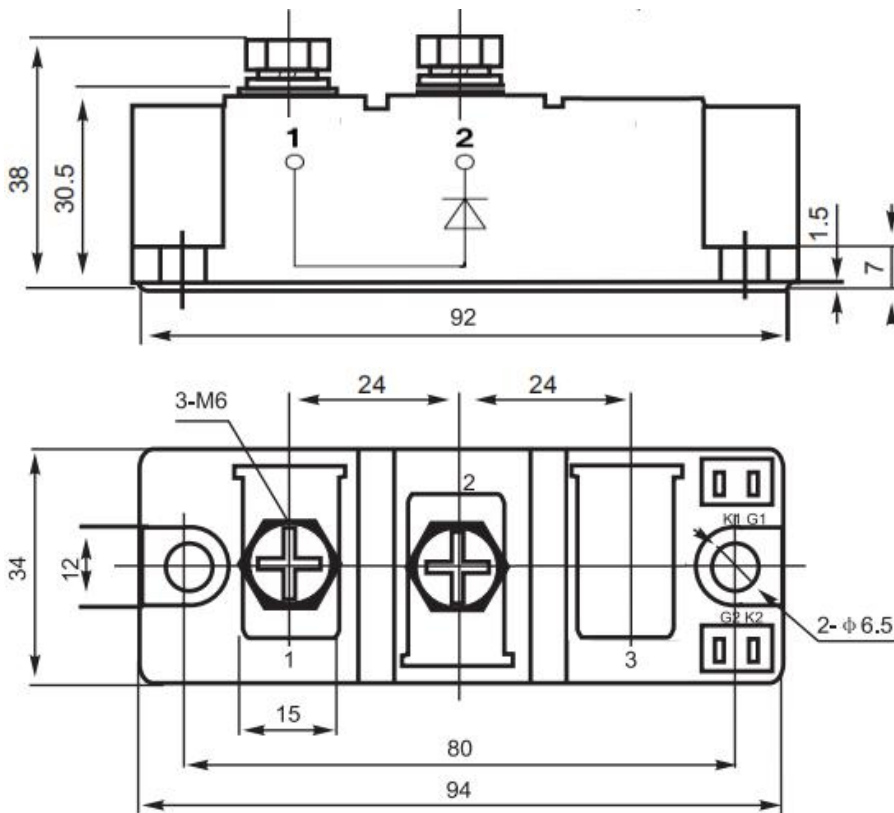
SYMBOL	PARAMETER	MAX	UNIT
$R_{th\ j-c}$	Thermal Resistance, Junction to Case	0.23	$^{\circ}C/W$

### ELECTRICAL CHARACTERISTICS

SYMBOL	PARAMETER	CONDITIONS	MAX	UNIT
$V_{FM}$	Forward Voltage drop	$I_F = 480A, T_J = 25^{\circ}C, t_p = 400\mu s$	1.2	V
$I_R$	Maximum Instantaneous Reverse Current	$V_{RM} = V_{RRM}$	5	mA

### PACKAGE OUTLINE

Dimensions in mm (1mm = 0.0394")





**SKKE162/16**

**Rectifier Module**

**NOTICE:**

ISC reserves the rights to make changes of the content herein the datasheet at any time without notification. The information contained herein is presented only as a guide for the applications of our products.

ISC products are intended for usage in general electronic equipment. The products are not designed for use in equipment which require specialized quality and/or reliability, or in equipment which could have applications in hazardous environments, aerospace industry, or medical field. Please contact us if you intend our products to be used in these special applications.

ISC makes no warranty or guarantee regarding the suitability of its products for any particular purpose, nor does ISC assume any liability arising from the application or use of any products, and specifically disclaims any and all liability, including without limitation special, consequential or incidental damages.