

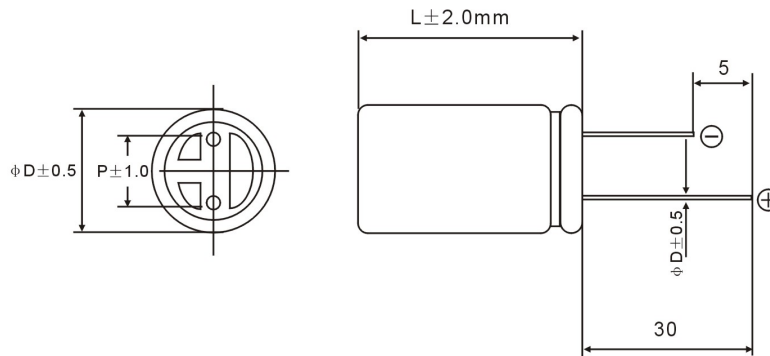
# TS12S-M

**FEATURES**

Radial & Snap-in type  
large capacity, VENT case.



SPECIFICATIONS	
Operating temperature	-25 to +70°C
Rated voltage	2.5VDC
Surge voltage	3.0VDC
Capacitance tolerance	-20% to +80%
Characteristics at Temperature	+70°C   $\Delta C/C$   $\leq 30\%$ , ESR $\leq 100\%$ time of specified value at 25°C -25°C   $\Delta C/C$   $\leq 50\%$ , ESR $\leq 400\%$ time of specified value at 25°C
High Temperature load	After 1000 hours storage at +70°C $\pm 2$ at 5.5V ,   $\Delta C/C$   $\leq 30\%$ of the initial measured value, ESR $\leq 200\%$ of the initial specified value
Humidity Resistance	After +40°C $\pm 2$ , 90~95%RH , 240 hour   $\Delta C/C$   $\leq 30\%$ of the initial measured value, IL $\leq 200\%$ of the initial specified value, ESR $\leq 4$ time of the initial specified value



Part Number	Rated Capacitance	Operating Voltage	ESR 1HKZ (MΩ)	Size (ØD $\pm 0.5$ mm * L $\pm 1.0$ ,mm)	P $\pm$ 1.0(mm)	Ø d (mm)
TS12S-M-2R5-704	0.7F	2.5V	800	Ø8x13	3.5	0.6
TS12S-M-2R5-104	1.0F	2.5V	600	Ø8x13	3.5	0.6
TS12S-M-2R5-205	2.0F	2.5V	300	Ø10x20	4.5	0.6
TS12S-M-2R5-305	3.0F	2.5V	200	Ø8x20	3.5	0.6
TS12S-M-2R5-335	3.3F	2.5V	200	Ø10x20	4.5	0.6
TS12S-M-2R5-475	4.7F	2.5V	150	Ø13x21	4.5	0.6
TS12S-M-2R5-805	8.0F	2.5V	100	Ø13x21	4.5	0.6

Can make up to 2.7V, please send us e-mail if you have any special request.

Note: Specification are subject to change without notice. For more detail and update, please visit our website.