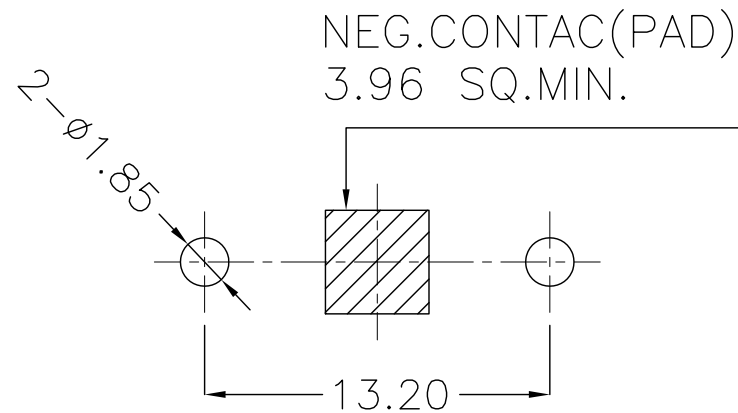
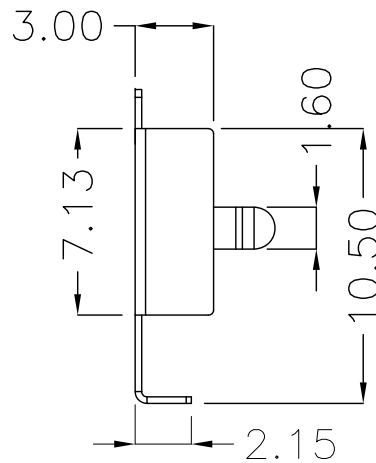
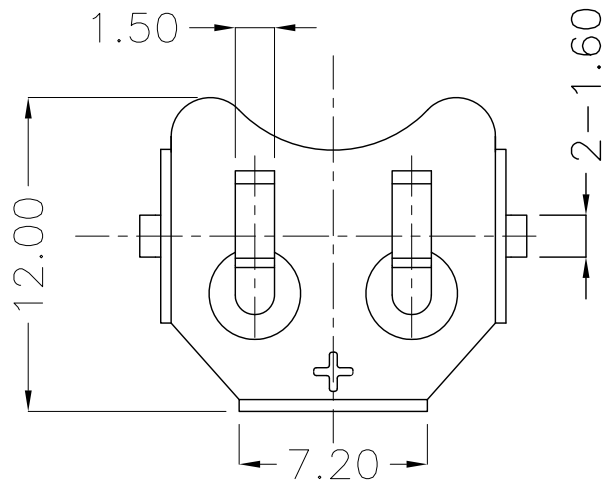
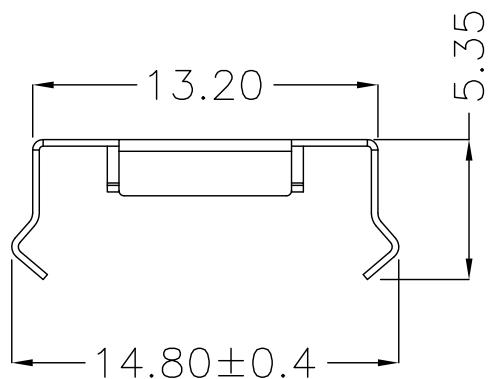




REV.	ECN NO.	REVISED	DATE



PCB Layout Diagram
Top View



UNLESS OTHERWISE SPECIFIED TOLERANCES		MYOUNG 美阳 www.meiyangdz.com			
DECIMALS: X :±0.30 X.X :±0.25 X.XX :±0.20 X.XXX :±0.10	ANGLES: X :±1° X.X :±0.5°	DSND YangFeng	DATE 2019-04-09	TITLE:	
		CHKD ZhouRuicai	DATE 2019-04-09	电池扣CR1220-A DIP	
		APVD XueShunyong	DATE 2019-04-09	PART NO.:	
WEIGHT:		SCALE:	SIZE: A4	VIEW:	MY-1220-04
SHEET 1 OF 1		UNIT: mm	REV.: A/0	OBJECT: MY	DRAW NO.:WD-CP-0044

1	TERMINAL(+)	1	PHOSPHOR BRONZE, T=0.25MM	NI-PLATING
NO.	PART NAME	Q'TY	MATERIAL	PLATING & COLOR