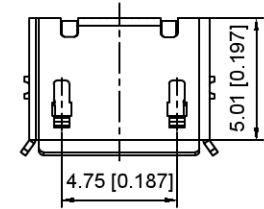
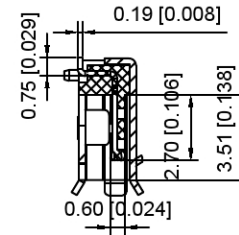


Scrolls (S)



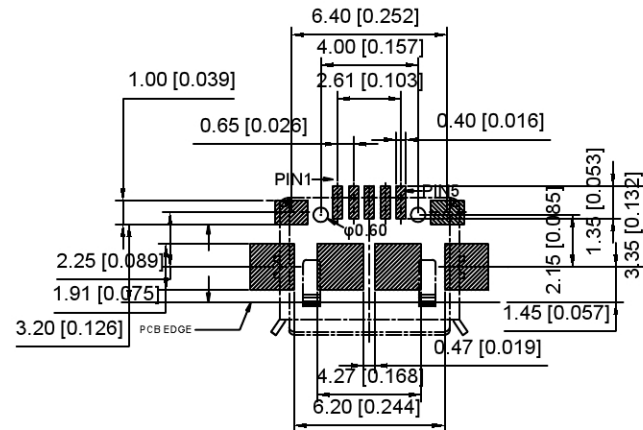
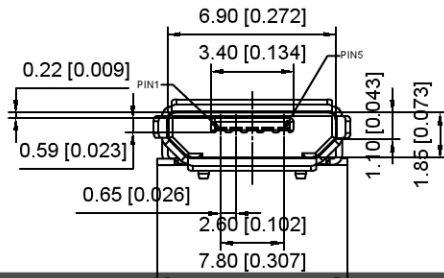
Note:

1.Material:

- 1.1 Housing: High temperature thermoplastic with g.f,UL94V-0
- 1.2 Contact:copper alloy,t=0.20mm
- 1.3 Shell:copper or sus304,t=-.25mm

2.Specification:

- 2.1 Current rating:1,5PIN 2A Max/2,3,4PIN 1A Max
- 2.2 Dielectric withstanding voltage:100 V(ac) for 1 min.
- 2.3 Contact resistance:30 mΩ Max.
- 2.4 Insulation resistance:100 MΩ Min.
- 2.5 Total mating force:3.57 Kg Max.
- 2.6 Total unmating force:1.0 Kg Min
- 2.7 Temperature range:-30℃~80℃



RECOMMENDED PCB LAYOUT

U253-05XX-4BH89-XXB  
 1:AU 1U"  
 6:AU 30U"  
 T:TIN  
 N:NICKEL  
 B:Brass  
 1:WITH 2:WITHOUT  
 S:Scrolls F:Flat

广东星坤科技股份有限公司

生	日期
发	日期

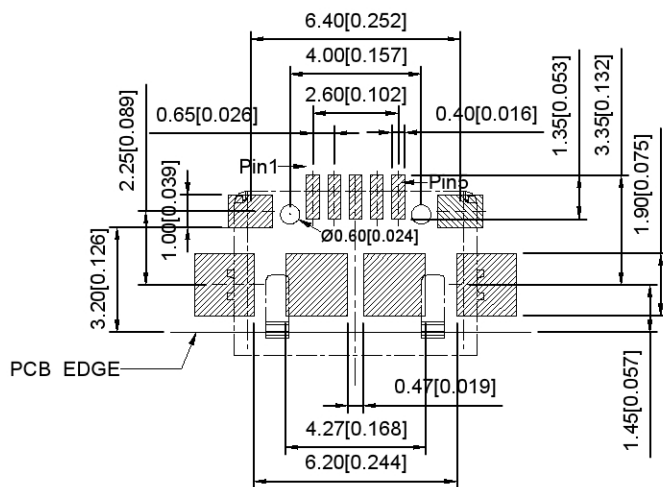
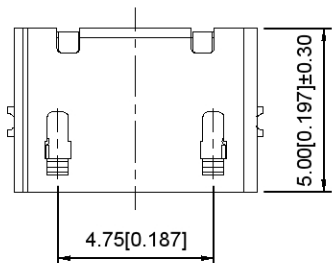
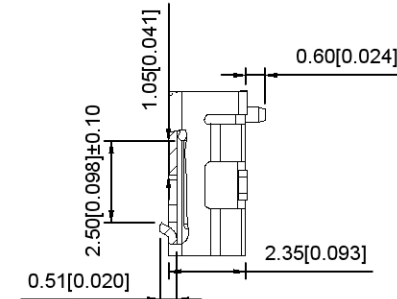
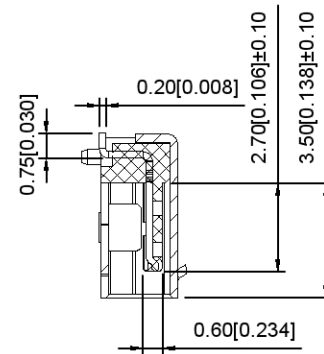
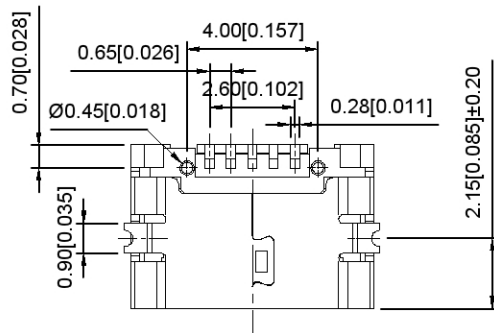
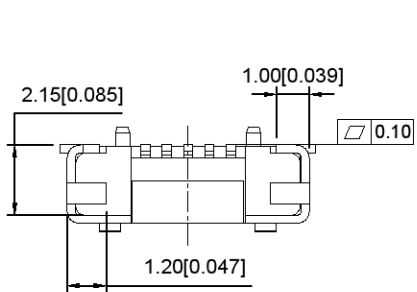
ΔX MARK	文件工程章
------------	-------

REVISIONS

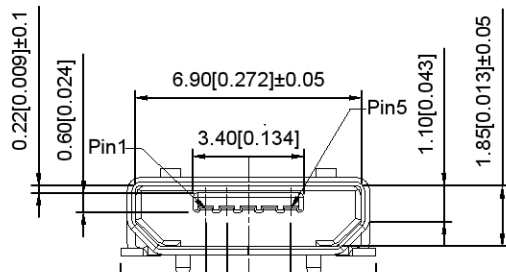
www.xkcg.cn www.helloxkb.com www.helloxkb.cn

ANGULAR	±5°
L ≤ 4	±0.2
4 < L ≤ 16	±0.3
16 < L ≤ 63	±0.4
L > 63	±0.5
UNSPECIFIED TOLERANCES	

DSND	DATE	SCALE: N/A	MODEL TYPE:
DWN	DATE	VIEW:	MICRO USB
CHKD	DATE	UNIT: mm/in	PART NO.:
APPD	DATE	SIZE: A4	DWG NO.:
KXB INDUSTRIAL PRECISION CO., LIMITED			U253-05XX-4BH89-XXB
WEIGHT	SHEET	REVISION	
1.0g	1/1	A0	



RECOMMENDED PCB LAYOUT



Note:

1.Material:

- 1.1 Housing: High temperature thermoplastic with g.f,UL94V-0
- 1.2 Contact:copper alloy,t=0.20mm
- 1.3 Shell:copper or sus304,t=-.25mm

2.Specification:

- 2.1 Current rating:1.5PIN 2A Max/2,3,4PIN 1A Max
- 2.2 Dielectric withstanding voltage:100 V(ac) for 1 min.
- 2.3 Contact resistance:30 mΩ Max.
- 2.4 Insulation resistance:100 MΩ Min.
- 2.5 Total mating force:3.57 Kgf Max.
- 2.6 Total unmating force:1.0 Kgf Min
- 2.7 Temperature range:-30℃~80℃

U253-05XX-4BH89-XXB

- 1:AU 1U"
- 6:AU 30U"
- T:TIN
- N:NICKEL
- B:Brass
- 1:WITH 2:WITHOUT
- S:Scrolls F:Flat

广东星坤科技股份有限公司

生 日期  
發 日期

文件工程章

REVISIONS	DATE	REVISED	APPROVED

ANGULAR	±5°
L ≤ 4	±0.2
4 < L ≤ 16	±0.3
16 < L ≤ 63	±0.4
L > 63	±0.5
UNSPECIFIED TOLERANCES	

DSND	DATE	SCALE: N/A	MODEL TYPE:
DWN	DATE	VIEW:	MICRO USB
CHKD	DATE	UNIT: mm/in	PART NO.:
APPD	DATE	SIZE: A4	DWG NO.:

WEIGHT	SHEET	REVISION
1.0g	1/1	A0

KKB INDUSTRIAL PRECISION CO., LIMITED