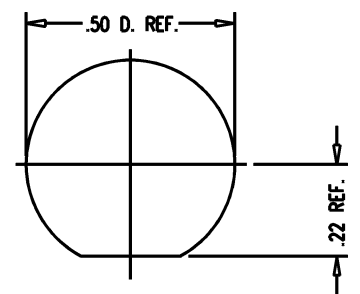
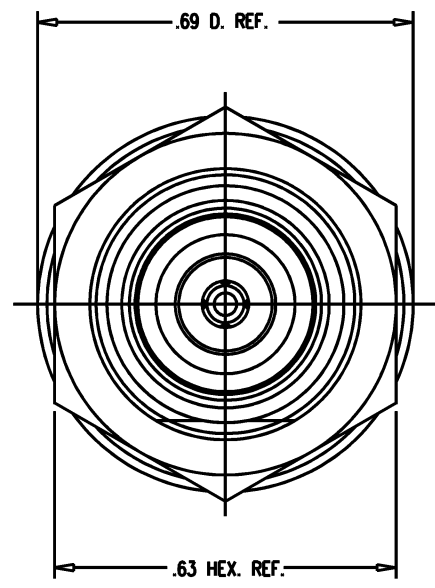
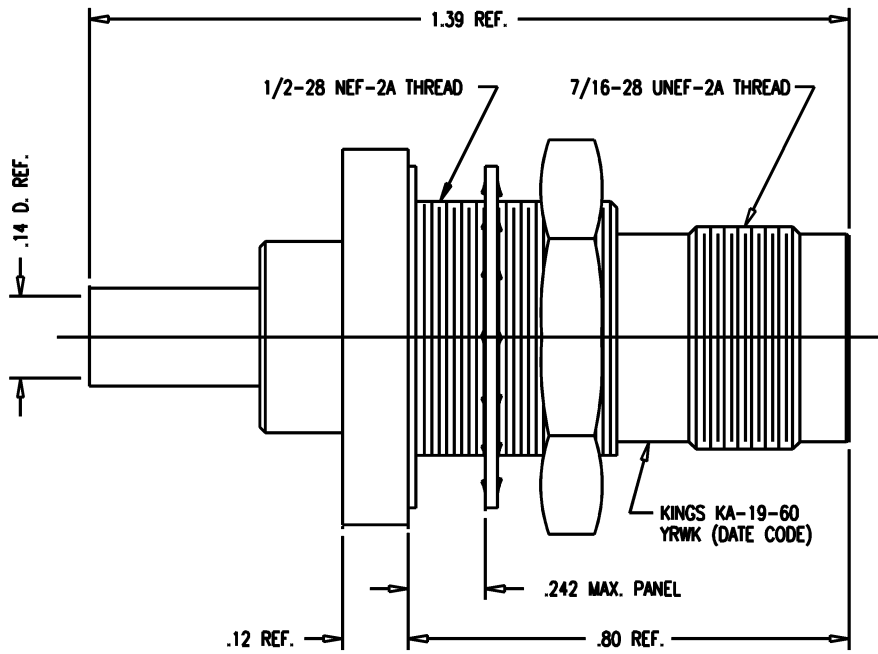


DASH NO.	M CODE	MADE FROM
----------	--------	-----------



MOUNTING HOLE

GSD

GSD

KA-19-60

REVISIONS	
ISSUE	CHANGES
3	CN 37095 C REDRAWN KH 08/20/96
4	CN 37169 E PG 10/25/96
5	CN 37178 A KH 11/21/96
6	CN 37745 E HVN 01/14/99
7	CN 37893 E TML 09/10/99

- NOTES:**
- FOR USE WITH RG-174, 188, 188A & 316/U CABLES.
 - FOR CABLING INSTRUCTIONS SEE CP-407.
 - FOR CRIMPING USE DIE KTH 2032.
 - INTERFACE PER MIL-STD-348, FIG. 313-2.
 - MATERIALS:
 - GASKETS: SILICONE RUBBER, QQ-R-765
 - K-GRIP SLEEVE: COM. BRONZE, ASTM-B-135
 - LOCKWASHER: PHOSPHOR BRONZE, ASTM-B-103
 - INSULATOR: TEFLON, ASTM-D-4894
 - CENTER CONTACT: BER. COPPER, ASTM-B-196
 - ALL OTHER METAL PARTS: BRASS, ASTM-B16
 - FINISHES:
 - CENTER CONTACTS: SILVER PLATE PER QQ-S-365
 - ALL OTHER METAL PARTS: KINGS TARNISH RESISTANT NICKEL FINISH (TR-5)
 - ELECTRICAL CHARACTERISTICS:
 - FREQUENCY RANGE: DC TO 11 GHz
 - VOLTAGE RATING: 500 VRMS
 - NOMINAL IMPEDANCE: 50 OHMS

SCALE 4:1

APPROX SURFACE AREA

USED ON

REF:

JACK, BLKHD, TNC

DRAWN KH	DATE 08/20/96
----------	---------------

DESIGN AR	DATE 08/21/96
-----------	---------------

APPR.	DATE
-------	------

KINGS
ELECTRONICS CO., INC.
ROCK HILL, SOUTH CAROLINA 29730

KA-19-60

KA1960S