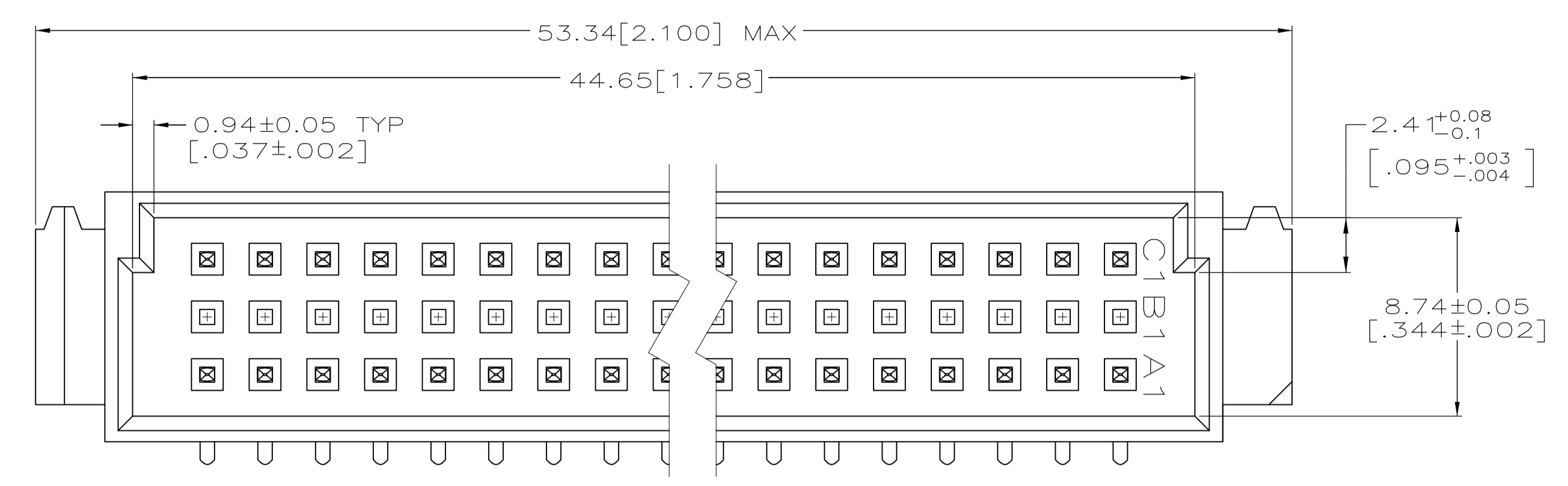
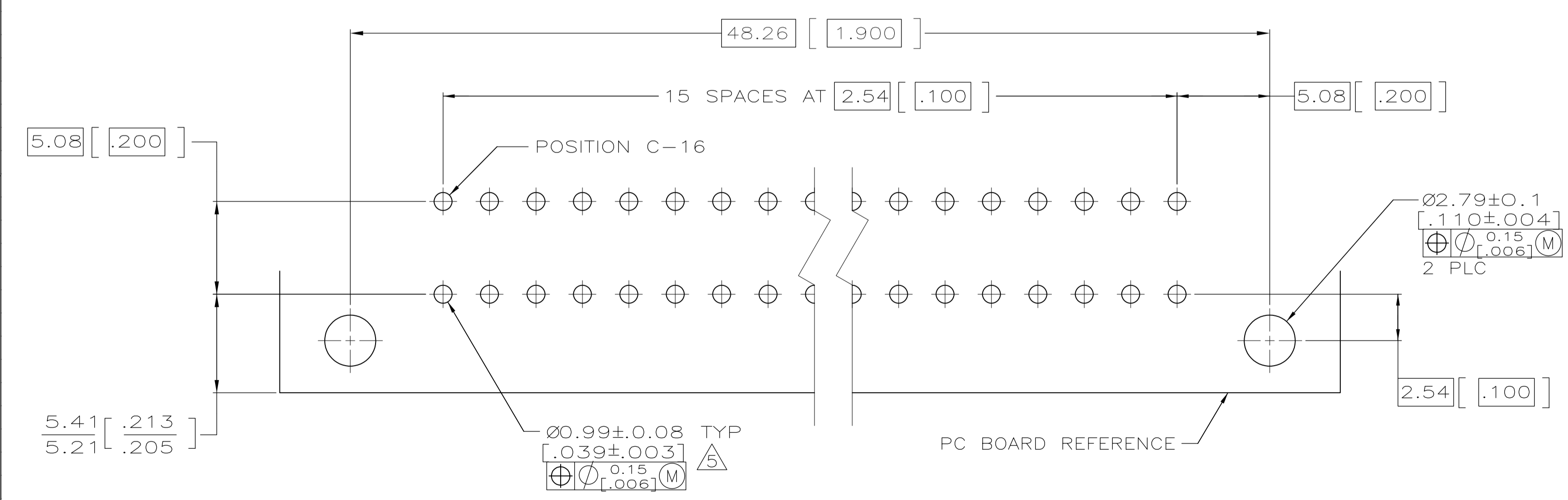
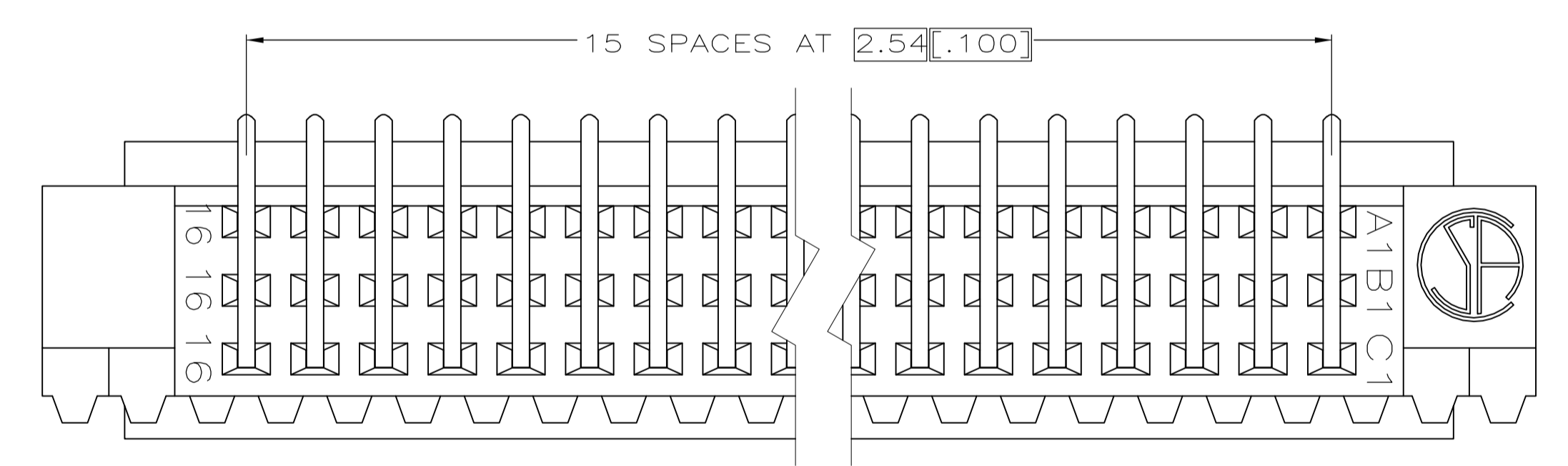
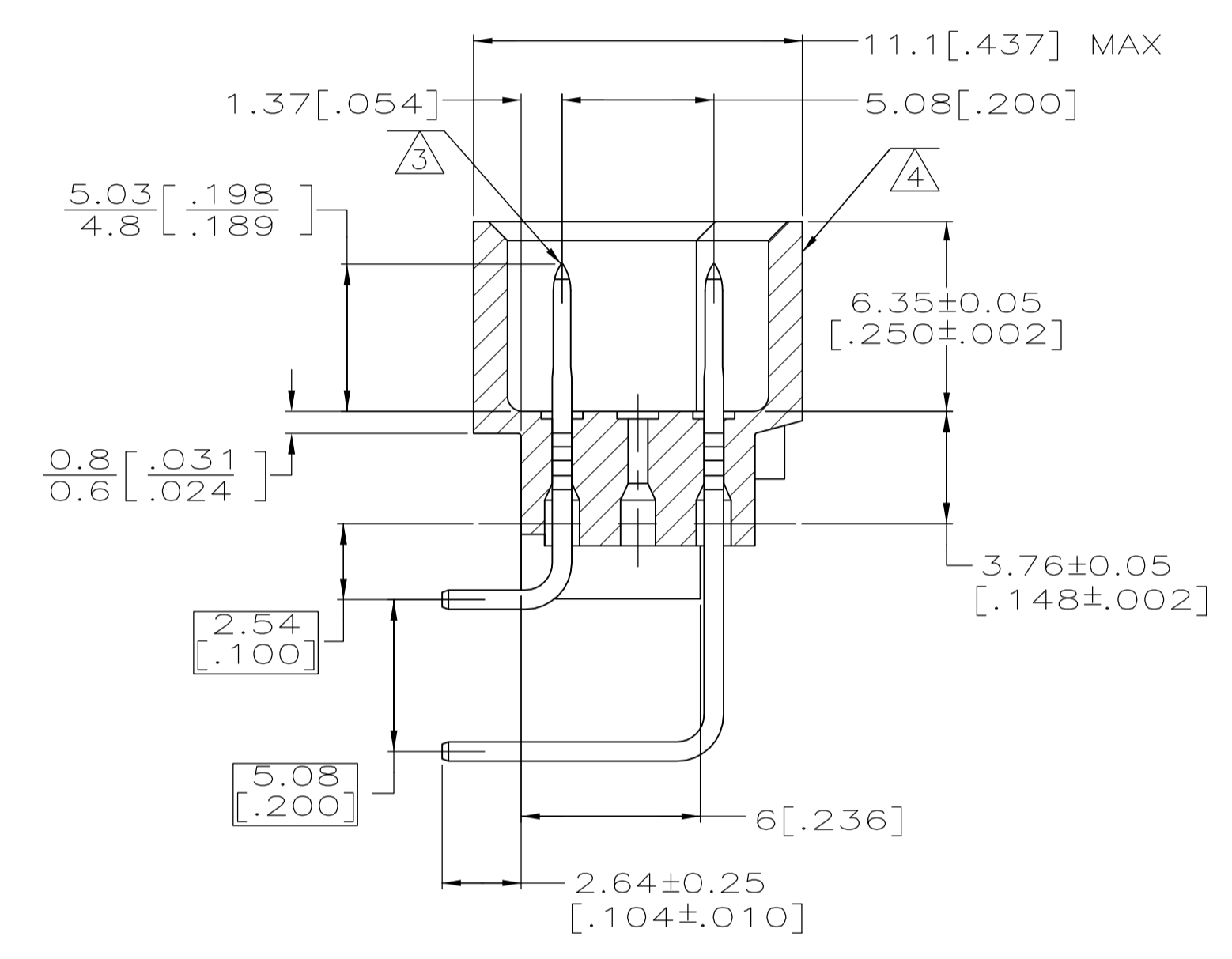
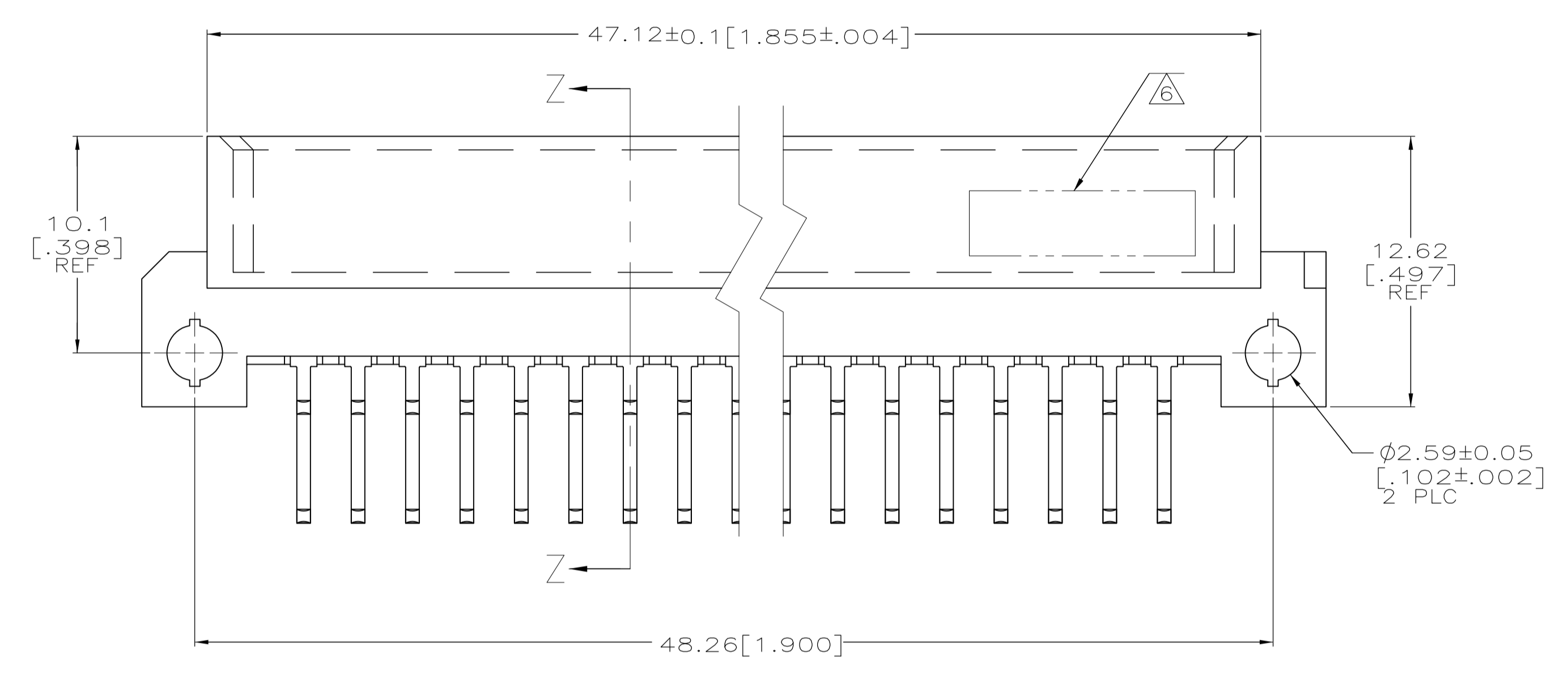


LOC		DIST		REVISIONS			
P	LTR	DESCRIPTION	DATE	DN	APVD		
AD	25	01	REVISED PER ECO-07-018157	21AUG07	DH	DB	



- 1 HOUSING MATERIAL: GLASS-FILLED POLYMER.
- 2 POST MATERIAL: COPPER ALLOY.
- 3 POST FINISH: DIN 41612 CLASS 2 IN CONTACT AREA. TIN PLATE ON POSTS.
- 4 MARKING ON THIS SIDE.
- 5 RECOMMENDED HOLE SIZE FOR MANUAL APPLICATION OF CONNECTOR ONTO PC BOARD.
- 6 PART NUMBER, DATE CODE MARKED THIS APPROXIMATE AREA.



1-16	X	-	X	32	5650946-5
POSITIONS LOADED	C	B	A	NO. OF LOADED POSITION	ASSY PART NUMBER

THIS DRAWING IS A CONTROLLED DOCUMENT.

DIMENSIONS: mm [INCHES]	TOLERANCES UNLESS OTHERWISE SPECIFIED:	DIN J. POLIGNONE	OSMAYOS	Tyco Electronics Corporation
0 PLC ± -	1 PLC ± -	OSMAYOS	OSMAYOS	Harrisburg, PA 17105-3608
2 PLC ± 0.13[.005]	3 PLC ± -	A. SHARPE	OSMAYOS	NAME ASSEMBLY, PIN, EUROCARD, TYPE 1/2C, A and C, 32/48 POSITION, 2.64[.104] SOLDER POST, SELECT LOAD
4 PLC ± -	ANGLES ± -	A. SHARPE	OSMAYOS	APPLICATION SPEC
				SIZE CAGE CODE DRAWING NO RESTRICTED TO
MATERIAL	FINISH	WEIGHT	A1 00779	5650946
			CUSTOMER DRAWING	SCALE 5:1 SHEET 1 OF 1 REV 01