

# CONNECTORS

**Operation:** DIP/直立式      **2.0USB-B 型连接器 (Type-A)**



**LTEM NO.:** USB-B02 (Series)

(L12.0×W11.0×H16.1 2.0-USB-B-CONNECTORS)



表面插装 DIP

側向操作

精密部品 NICETY

可靠 STABILIZE

適合環保 RoHS

## Technical parameter

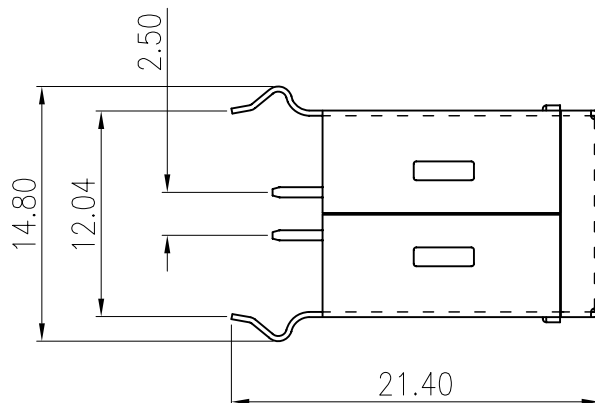
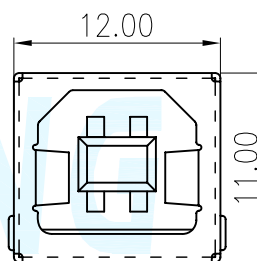
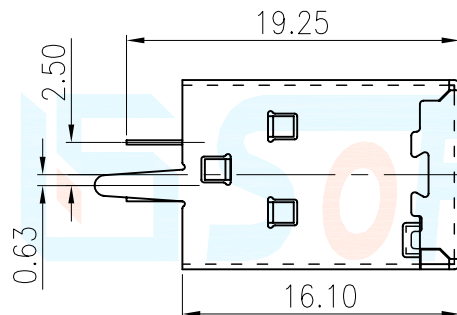
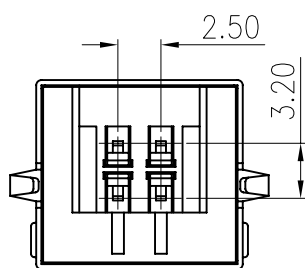
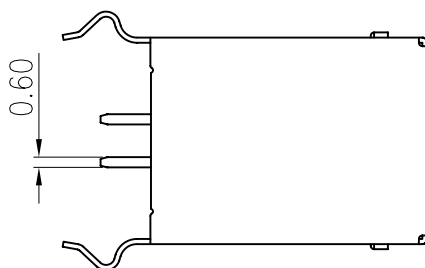
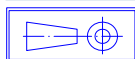
LEVEL		A[better product]	B[average product]
PROJECT	Contact Rating		0.25A, 24V DC
Electrical	Initial Contact Resistance		50mΩ max.
	Insulation Resistance	100MΩ min.500V DC	Skey/PD: 100MΩ min.300V DC
Properties	Withstand Voltage	500V AC for 1 minute	350 V AC for 1 minut
	There No Load	6,000 Cycles	5,000 Cycles
Durable Performance	Rated Load	5,000 Cycles	4,000 Cycles
	Storage temp.	-35℃~+75℃(Operating Temp: )	
Operating Force		IF:20N MAX. (EF:10.0N MIN.)	
Heat Rrsistance		IR Reflow:235℃, 5sec. Manual:350℃, 3sec.	

Material declaration		
No.	NAME	Description
① A	胶芯	PBT 耐热塑胶
② B	接触端子	磷铜 C5191 (镀金 1u" / 焊尾雾锡)
③ C	外壳	黄铜 C2680/SPCC [镀镍 50u" min]

## PIN SIGNAL

1	VCC	+5V
2	-DATA 0	Neagative Data Channel 0
3	+DATA 0	Positive Data Channel 0
4	GND	Ground

Unit:mm



DECIMALS		ANGLES	
.X	:±0.25	X.°	:±1.5°
.XX	:±0.15	XX.°	:±1.0°
.XXX	:±0.10	.XXX°	:±0.5°

## P.C.B LAYOUT

