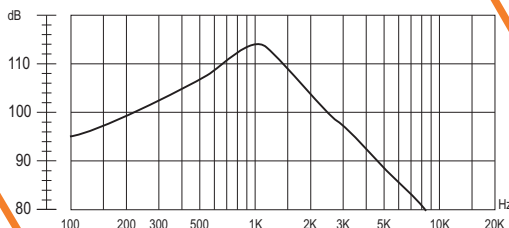
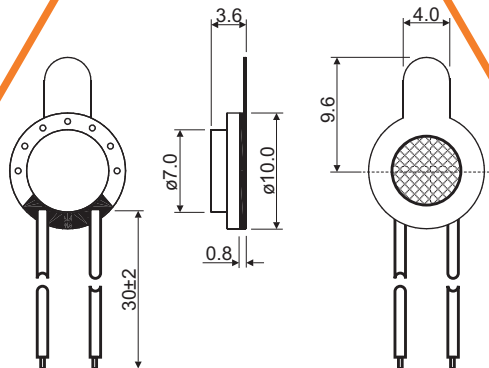
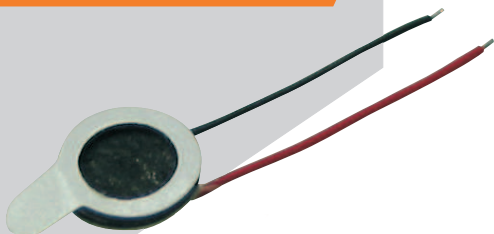


SoniCrest SPEAKER SOUND GENERATORS

HSR10P-32



Dimension

Unit : mm
Tolerance : ± 0.3 mm

Frequency Response

Applied Voltage : 179mV, Sine Wave
Based on IEC-R318 Standard

● Specification (all data taken at 25°C unless otherwise specified)

Coil Impedance (Ω)	Rated Power (mW)	Maximum Input Power (mW)	★Sensitivity at 1kHz (dB)	★Frequency Range (Hz)	Total Harmonic Distortion (THD)	Operating Temperature (°C)	Storage Temperature (°C)
32 $\pm 10\%$	10	20	113 ± 3	300 ~ 3400	< 5%	-40 ~ +70	-40 ~ +70

HSR10P-32

The specification are only for 32 Ω version. Specification for other impedance is available upon request.
★value Applied 179mV Input Power and Based on IEC-R318 Standard.