

P/N LEGEND

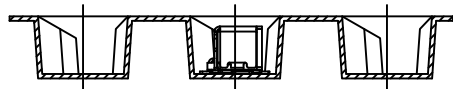
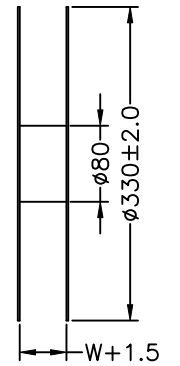
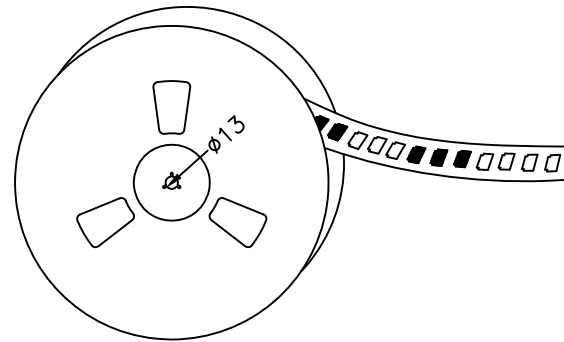
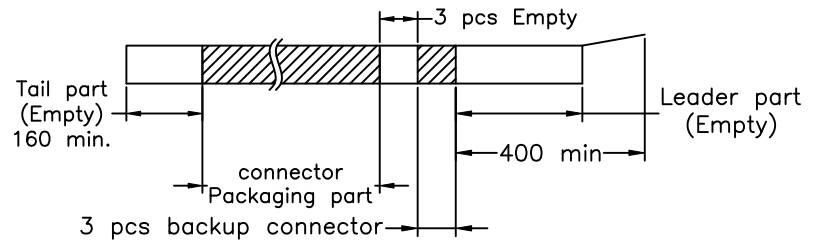
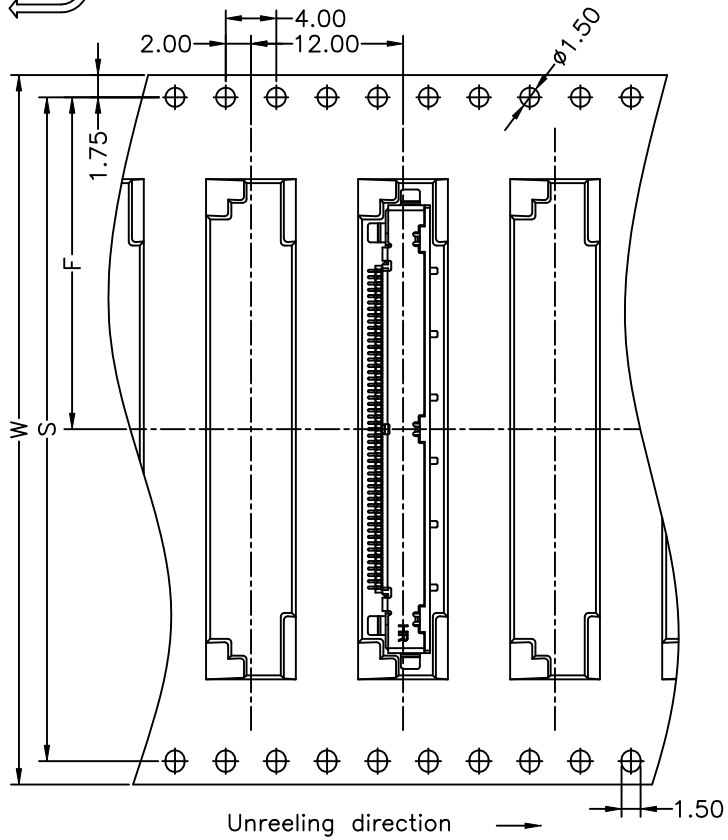
<b>A0505 WR-S-NP</b>			
①	②	③	④
① Series No.	② Connector type: WR=Right Angle	③ Mounting type: S=SMT Type	④ No. of circuits

SPECIFICATIONS

Current Rating: 0.7A AC,DC  
 Voltage Rating: 100V AC,DC  
 Temperature Range: -25°C ~ +85°C  
 Contact Resistance: 50mΩ Max.  
 Insulation Resistance: 100MΩ Min.  
 Withstanding Voltage: 500V AC/minute  
 Pin Material: Phosphor Bronze/Gold-Plated 3u"  
 on Contact Area, Tin-Plated on Solder Area  
 Shell Material: Phosphor Bronze/Matte Tin-plated  
 Insulator Material: LCP, UL 94V-0  
 Color: Black

Circuit No.	Dimensions				
	A	B	C	D	E
41P	20.00	26.00	30.35	32.85	4.00
51P	25.00	31.00	35.35	37.85	5.00

<b>燦達電子工業股份有限公司</b> <b>JOINT TECH ELECTRONIC IND. CO., LTD.</b>				UNIT: mm    SCALE: 1:1    SHEET: 1 of 2 TITLE: LVDS, Receptacle, Pitch 0.50mm, Right Angle, SMT Type, Assembly	
DRAWN BY: 周傑亮		APPROVED BY: 張子波		DRAW NO.: A0505WR-S-XP    REV. A1	
2013.08.30		2013.08.30			
GENERAL TOLERANCE					
A1	EN1705040001	2017.05.04	劉建芳	X.X±0.25	ANGLE±
A0	NEW RELEASE	2013.08.29	周傑亮	X.XX±0.15	
REV.	DESCRIPTION	DATE	NAME	X.XXX±0.05	



Number of Contacts	W $\pm 0.3$	F $\pm 0.1$	S $\pm 0.1$	Q'ty/Reel
41P	56	26.20	52.40	1,000
51P	56	26.20	52.40	1,000

				燦達電子工業股份有限公司 JOINT TECH ELECTRONIC IND. CO., LTD.	
UNIT	SCALE	SHEET	TITLE:		
mm	1 : 1	2 of 2	LVDS, Receptacle, Pitch 0.50mm, Right Angle, SMT Type, Assembly		
DRAWN BY 周傑亮		APPROVED BY 張子波			
2013.08.30		2013.08.30			
GENERAL TOLERANCE					
A1	ENI705040001	2017.05.04	劉建芳	X.X $\pm 0.25$	ANGLE $\pm$
A0	NEW RELEASE	2013.08.29	周傑亮	X.XX $\pm 0.15$	
REV.	DESCRIPTION	DATE	NAME	X.XXX $\pm 0.05$	
				DRAW NO. : A0505WR-S-XP	
				REV. A1	