

THE INFORMATION CONTAINED HEREIN IS CONSIDERED "PROPRIETARY" TO BEL FUSE INC. AND SHALL NOT BE COPIED, REPRODUCED OR DISCLOSED WITHOUT THE WRITTEN APPROVAL OF BEL FUSE INC.

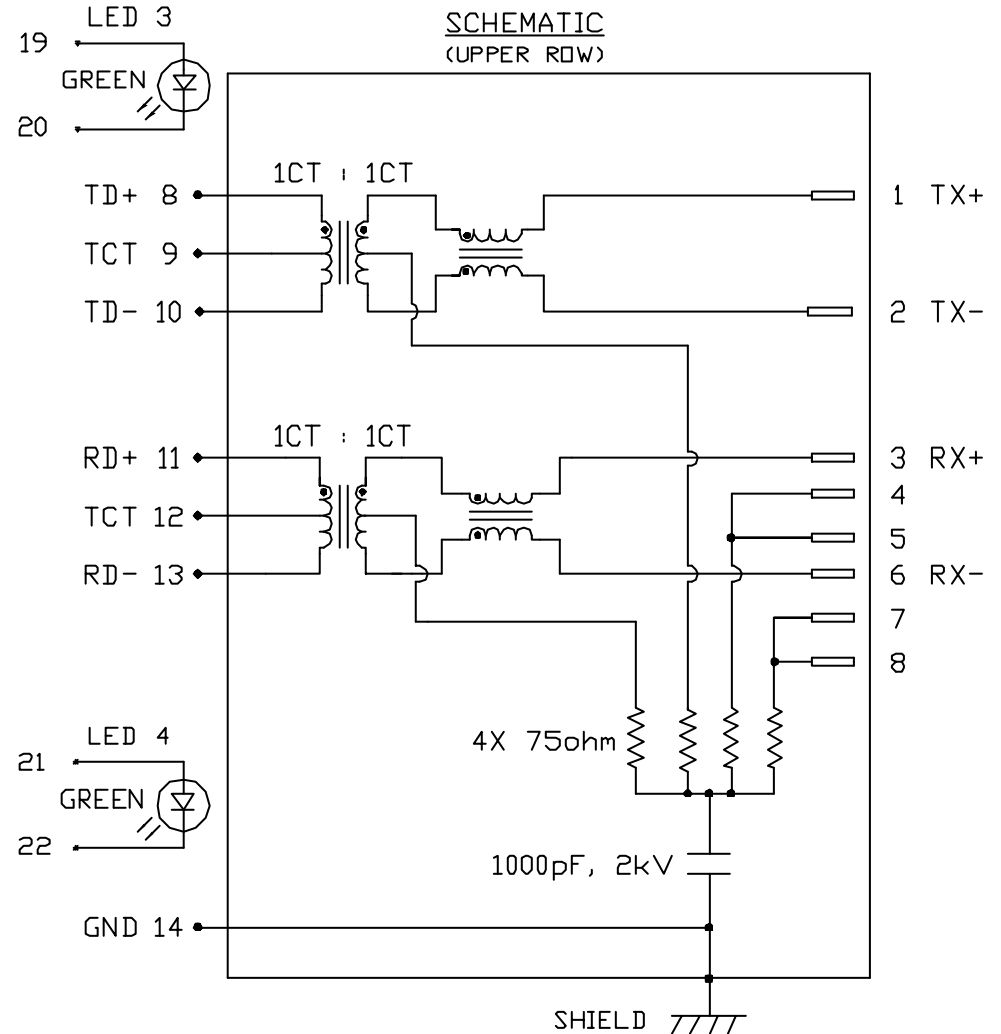
LED 3 POLARITY			LED 4 POLARITY		
PIN 19	PIN 20	COLOR	PIN 21	PIN 22	COLOR
+	-	GREEN	+	-	GREEN

PRELIMINARY



**ELECTRICAL CHARACTERISTICS @ 25°C**

<p> <b>URNS RATIO</b>            TX 1CT : 1            RX 1CT : 1  <b>DCL @ 100kHz/100mVRMS</b>            8mA DC BIAS 350µH MIN.  <b>INS. LOSS</b>            1MHz TO 100MHz -1.0 dB MAX  <b>RET. LOSS (MIN)</b>            1MHz-30MHz -18 dB            30MHz-60MHz -18+20LOG(F/30MHz) dB            60MHz-80MHz -12 dB  <b>CROSS TALK (TX - RX)</b>            500kHz-1MHz -70 dB MIN            10 MHz -50 dB MIN            30 MHz -45 dB MIN            50 MHz -40 dB MIN            100 MHz -35 dB MIN  <b>CM TO CM REJ</b>            100kHz-1MHz -70 dB MIN            10 MHz -47 dB MIN            30 MHz -42 dB MIN            60 MHz -37 dB MIN            100 MHz -30 dB MIN  <b>CM TO DM REJ</b>            100kHz-1MHz -70 dB MIN            10 MHz -60 dB MIN            30 MHz -50 dB MIN            60 MHz -45 dB MIN            100 MHz -40 dB MIN  <b>HIPOT (Isolation Voltage):</b>            LED 3 &amp; LED 4 1500 Vrms            VF (FORWARD VOLTAGE) IF=20mA GREEN 2.2V TYP.            λD (DOMINANT WAVELENGTH) IF=20mA GREEN 565nm TYP.         </p>	
---	--



<b>ORIGINATED BY</b> CHUNG <b>DRAWN BY</b> DE	<b>DATE</b> 07-28-05 <b>DATE</b> 07-28-05	<b>TITLE</b> 2X1 MagJack® (with LED)	<b>PART NO. / DRAWING NO.</b> 0845-2G1T-H5	<b>STANDARD DIM.</b> TOL. IN INCH .X .XX .XXX	<input type="checkbox"/> METRIC DIM. AS REFERENCE <b>UNIT :</b> INCH [mm] <b>SCALE :</b> N/A	<b>REV. :</b> PB <b>SIZE :</b> A4 <b>PAGE :</b> 2	 COMPONENTS FOR A CONNECTED PLANET
			<b>FILE NAME</b> 08452G1T-H5PB.DWG				

THE INFORMATION CONTAINED HEREIN IS CONSIDERED "PROPRIETARY" TO BEL FUSE INC. AND SHALL NOT BE COPIED, REPRODUCED OR DISCLOSED WITHOUT THE WRITTEN APPROVAL OF BEL FUSE INC.

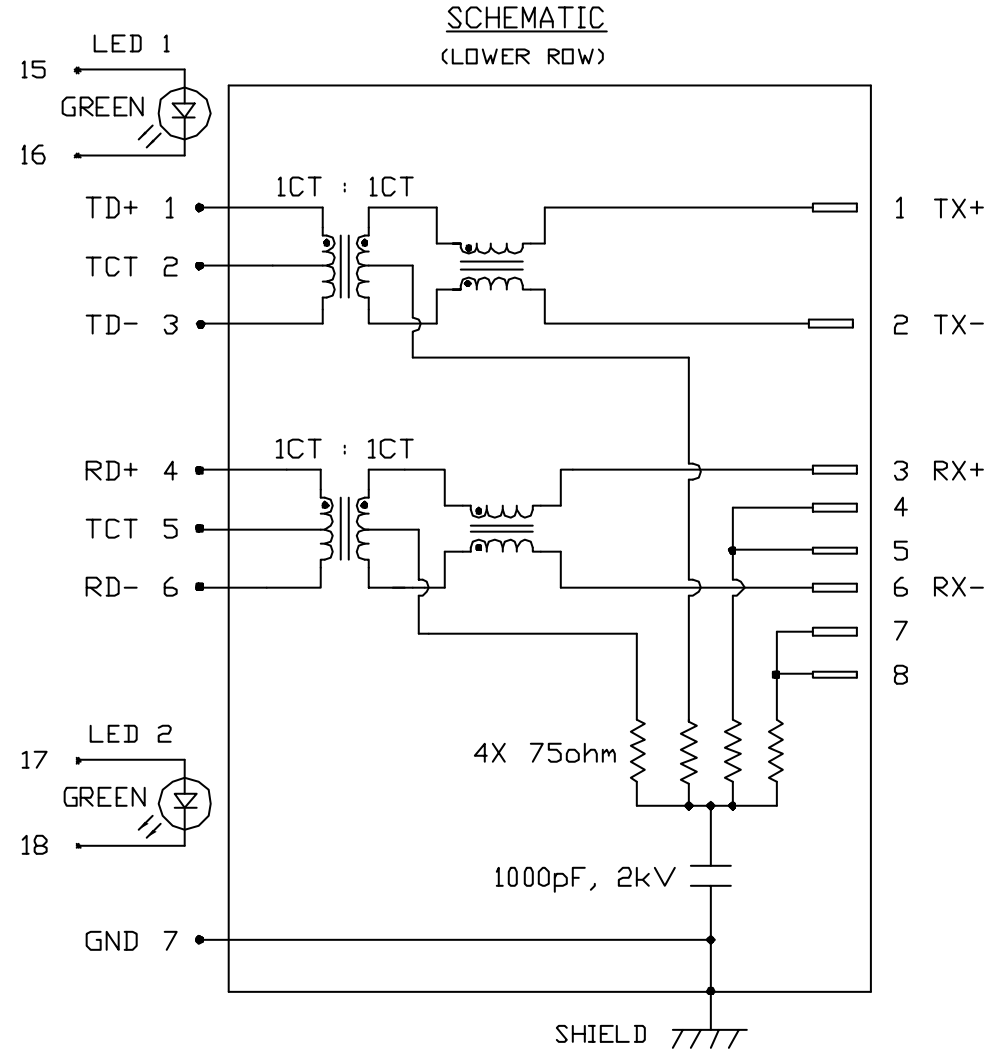
LED 1 POLARITY			LED 2 POLARITY		
PIN 15	PIN 16	COLOR	PIN 17	PIN 18	COLOR
+	-	GREEN	+	-	GREEN

PRELIMINARY



**ELECTRICAL CHARACTERISTICS @ 25°C**

<b>URNS RATIO</b> TX RX <b>DCL @ 100kHz/100mVRMS</b> 8mA DC BIAS <b>INS. LOSS</b> 1MHz TO 100MHz <b>RET. LOSS (MIN)</b> 1MHz-30MHz 30MHz-60MHz 60MHz-80MHz <b>CROSS TALK (TX - RX)</b> 500kHz-1MHz 10 MHz 30 MHz 50 MHz 100 MHz <b>CM TO CM REJ</b> 100kHz-1MHz 10 MHz 30 MHz 60 MHz 100 MHz <b>CM TO DM REJ</b> 100kHz-1MHz 10 MHz 30 MHz 60 MHz 100 MHz <b>HIPOT (Isolation Voltage):</b> LED 1 & LED 2 VF (FORWARD VOLTAGE) λD (DOMINANT WAVELENGTH)	1CT : 1 1CT : 1 350µH MIN. -1.0 dB MAX -18 dB -18+20LOG(F/30MHz) dB -12 dB -70 dB MIN -50 dB MIN -45 dB MIN -40 dB MIN -35 dB MIN -70 dB MIN -47 dB MIN -42 dB MIN -37 dB MIN -30 dB MIN -70 dB MIN -60 dB MIN -50 dB MIN -45 dB MIN -40 dB MIN 1500 Vrms IF=20mA GREEN 2.2V TYP. IF=20mA GREEN 565nm TYP.
---	--



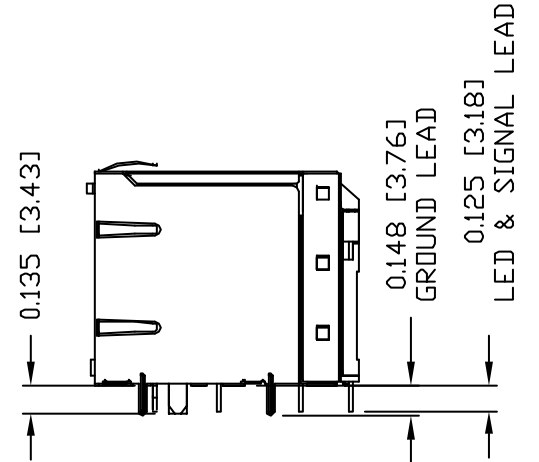
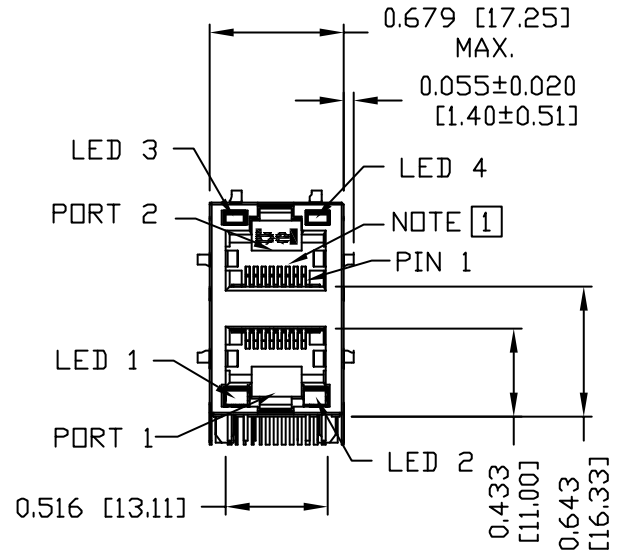
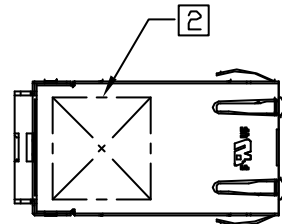
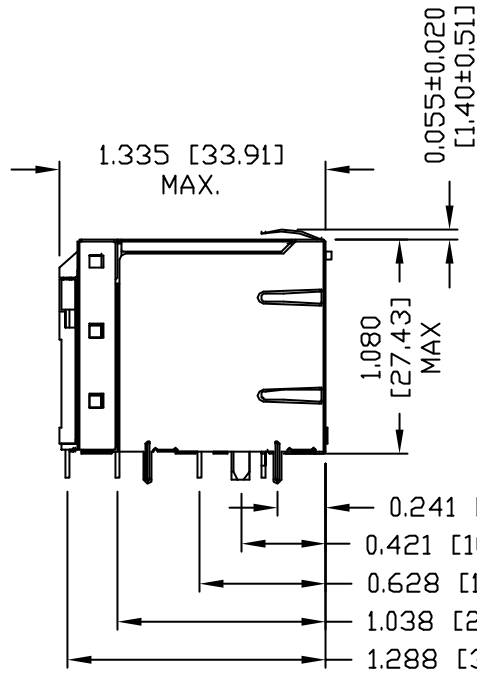
ORIGINATED BY	DATE	TITLE	PART NO. / DRAWING NO.	STANDARD DIM. TOL. IN INCH	[ ] METRIC DIM. AS REFERENCE
CHUNG	07-28-05	2X1 MagJack® (with LED)	0845-2G1T-H5	.X	UNIT : INCH [mm] REV. : PB
DRAWN BY	DATE		FILE NAME	.XX	SCALE : N/A SIZE : A4
DE	07-28-05		08452G1TH5PB.DWG	.XXX	PAGE : 3



THE INFORMATION CONTAINED HEREIN IS CONSIDERED "PROPRIETARY" TO BEL FUSE INC. AND SHALL NOT BE COPIED, REPRODUCED OR DISCLOSED WITHOUT THE WRITTEN APPROVAL OF BEL FUSE INC.



PRELIMINARY



NOTES:

PLASTIC HOUSING: THERMOPLASTIC PBT  
 FLAMMABILITY RATING UL 94V-0  
 CONTACT PLATING: 50 MICRO-INCH HARD GOLD PLATING  
 OUTPUT PINS: TIN-COATED COPPER WIRE, DIA 0.018 INCH.  
 METAL SHIELD: NICKEL PLATED COPPER ALLOY.  
 (ALL GROUND LEADS ARE SOLDER DIPPED)

1. JACK CAVITY CONFORMS TO FCC RULES AND REGULATIONS, PART 68 SUBPART F.

2. MARK PART WITH MFG LOGO, MFG NAME, PART NUMBER, AND DATE CODE.

RoHS COMPLIANCE, PER EU DIRECTIVE 2002/95/EC.

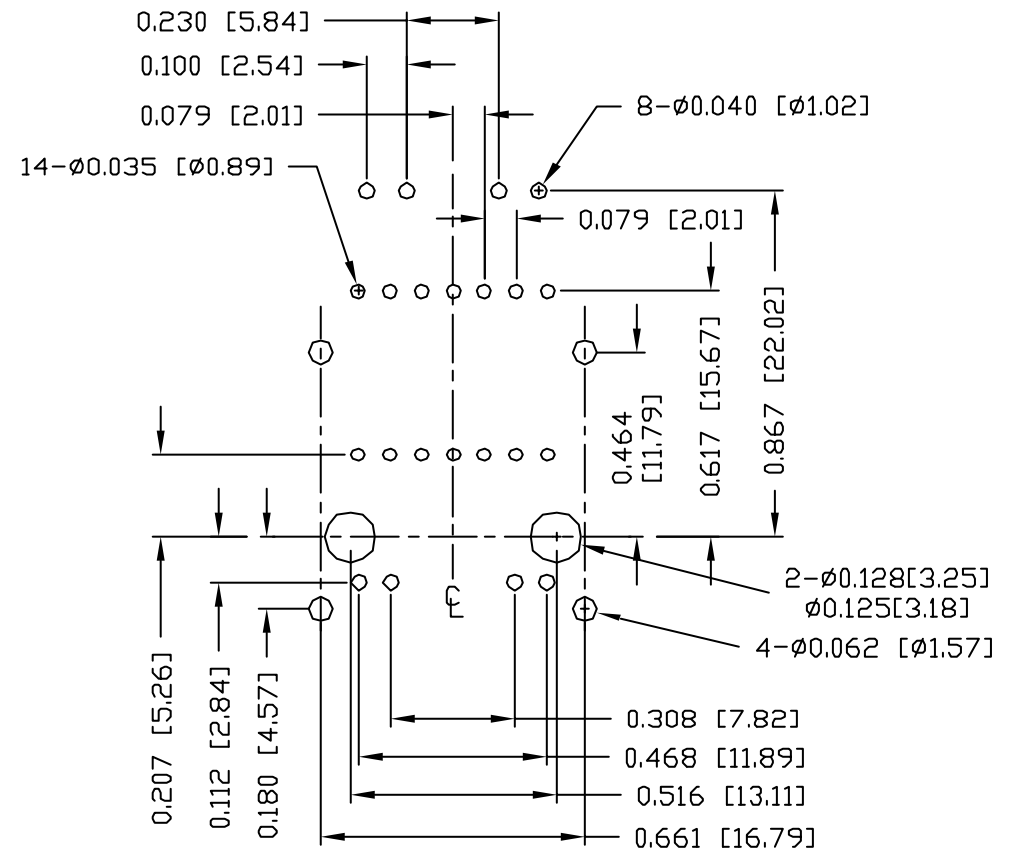
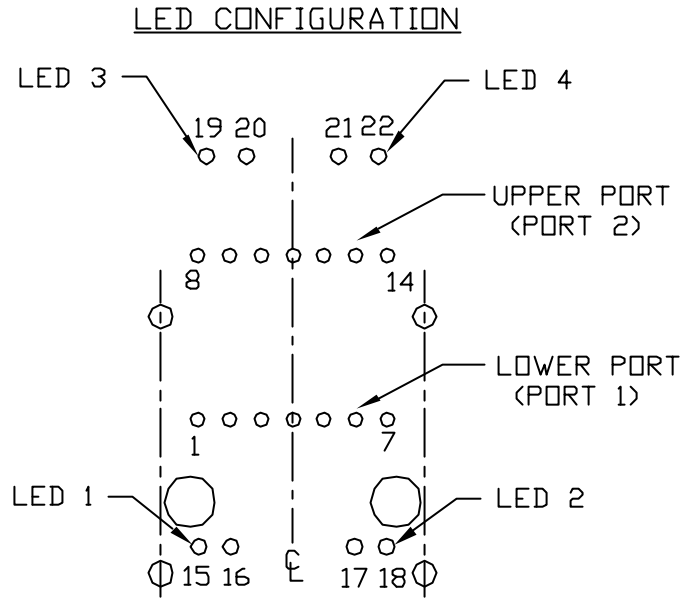
UL UL RECOGNIZED - FILE #E196366 AND E169987.

ORIGINATED BY	DATE	TITLE	PART NO. / DRAWING NO.	STANDARD DIM. TOL. IN INCH	[ ] METRIC DIM. AS REFERENCE	
BILL/KEUNG	07-28-05	2X1 MagJack® (with LED)	0845-2G1T-H5	.X	UNIT : INCH [mm]	REV. : PB
DRAWN BY	DATE		FILE NAME	.XX	SCALE : N/A	SIZE : A4
QIN	07-28-05		08452G1TH5PB.DWG	.XXX ±0.010		PAGE : 4



THE INFORMATION CONTAINED HEREIN IS CONSIDERED "PROPRIETARY" TO BEL FUSE INC. AND SHALL NOT BE COPIED, REPRODUCED OR DISCLOSED WITHOUT THE WRITTEN APPROVAL OF BEL FUSE INC.

PRELIMINARY



PIN-OUT INFORMATION  
(COMPONENT SIDE VIEW)  
(SCALE 2:1)

SUGGESTED FOOTPRINT  
(COMPONENT SIDE VIEW)  
(SCALE 2:1)

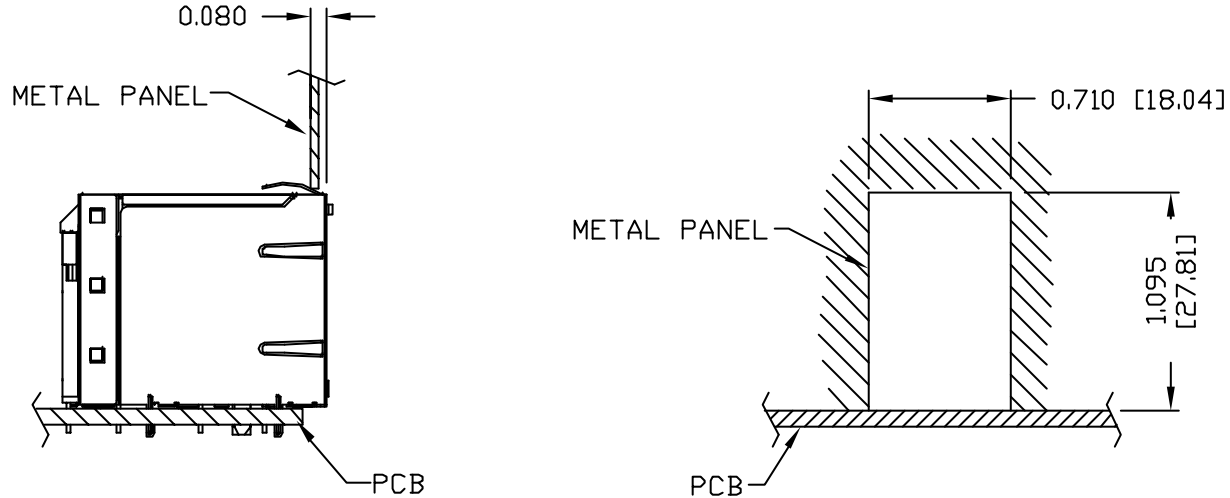
ORIGINATED BY BILL/KEUNG	DATE 07-28-05	TITLE 2X1 MagJack® (with LED)	PART NO. / DRAWING NO. 0845-2G1T-H5	STANDARD DIM. TOL. IN INCH		[ ] METRIC DIM. AS REFERENCE		REV. : PB	bel
				.X		UNIT : INCH [mm]	SCALE : N/A		
DRAWN BY QIN	DATE 07-28-05		FILE NAME 08452G1TH5PB.DWG	.XX				PAGE : 5	COMPONENTS FOR A CONNECTED PLANET
				.XXX	±0.010				

THE INFORMATION CONTAINED HEREIN IS CONSIDERED "PROPRIETARY" TO BEL FUSE INC. AND SHALL NOT BE COPIED, REPRODUCED OR DISCLOSED WITHOUT THE WRITTEN APPROVAL OF BEL FUSE INC.

PRELIMINARY



SUGGESTED PANEL OPENING



NOTE:

THE DISTANCE OF PANEL INSIDE SURFACE RELATIVE TO FRONT SURFACE OF PART IS ONLY A SUGGESTION. IN CASE THIS DISTANCE IS DIFFERENT, THE REQUIRED PANEL OPENING DIMENSIONS CHANGE ACCORDINGLY.

PACKING INFORMATION

PACKING TRAY: 0200-9999-H5 (TOP)  
0200-9999-H6 (BOTTOM)

PACKING QUANTITY: 40 PCS FINISHED GOODS PER TRAY  
6 TRAYS (240 PCS FINISHED GOODS) PER CARTON BOX.

NOTE: CARDBOARD ARE PLACED BETWEEN LAYERS OF PACKING TRAY INSIDE CARTON BOX.  
(INCLUDE THE UPPERMOST AND LOWEREST TRAY)

<b>ORIGINATED BY</b> BILL/KEUNG	<b>DATE</b> 07-28-05	<b>TITLE</b> 2X1 MagJack® (with LED)	<b>PART NO. / DRAWING NO.</b> 0845-2G1T-H5	<b>STANDARD DIM. TOL. IN INCH</b>		<b>[ ] METRIC DIM. AS REFERENCE</b>		 COMPONENTS FOR A CONNECTED PLANET
<b>DRAWN BY</b> QIN	<b>DATE</b> 07-28-05		<b>FILE NAME</b> 08452G1TH5PB.DWG	.X		UNIT : INCH [mm]	REV. : PB	
			.XX	SCALE : N/A		SIZE : A4		
			.XXX	±0.005			PAGE : 6	