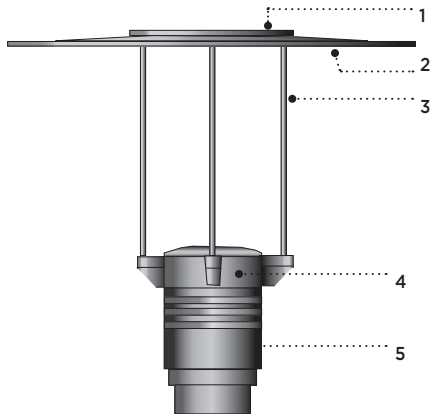


TYPE: _____ QUANTITY: _____ PROJECT: _____

CATALOG NUMBER:

FIXTURE WATTAGE VOLTAGE FINISH OPTION OPTION OPTION OPTION



- 1- Heavy cast aluminum top cover with integral LED heat dissipating pad.
- 2- One piece .090" (2.3) thick hard aluminum top shade. Underside surface is painted white enamel to optimize light performance (EC601 only).
- 3- Set of 4 X 1/2" (13) solid aluminum struts.
- 4- Cast aluminum upper electrical housing.
- 5- Cast aluminum lower electrical chamber housing.

EC600



EC600-EC6WS



EC601



EC601-EC6W



MATERIALS

Eclipse Mini is made of corrosion resistant 356 aluminum alloy with a copper (CU) content of less than 0.1%.

The lower cast aluminum housing fits with a 4" or 5" (102 or 127) pole and contains all electrical controls on a removable tray.

ELECTRICAL

LED

DRIVER Standard driver is 0-10V dimming-ready (dims to 10%) with: 120-277 multi-volt compatibility (50-60Hz), optional 347V on request, minimum operating temperature of -30°C/-22°F, output over voltage protection, output over current protection, output short circuit protection with auto-recovery, and over temperature protection (110°C).

LED Type III & V light distribution via high performance optical lenses. Standard 4000K /80CRI. Optional 2700K, 3000K and 3500K. Removable modular LED platform.

Optional Amber LED for turtle sensitive areas.
Wavelengths: 584.5nm to 597nm.

LIFE

60,000hrs $L_{80}B_{50}$ (based on IESNA TM-21 Test Method and LM-80 data).
139,000hrs $L_{70}B_{50}$ (calculated projection from LM-80 data).

FINISH

Five-stage preparation process includes preheating of cast aluminum parts for air extraction. Polyester powder coating is applied through an electrostatic process, and oven cured for long term finish.

MOUNTING

Maximum weight: 9.11lbs (4.1kg)

Standard luminaire mounts on a 4" or 5" (102 or 127) pole.

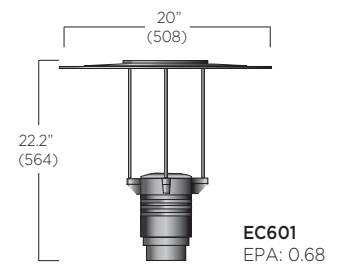
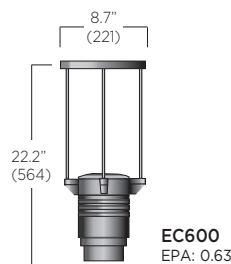
Alternate wall and pole attachments are proposed with high quality components to meet multiple installation conditions.

CERTIFICATION

Tested to UL1598 and CSA 22.2 #250. ETL listed wet location.

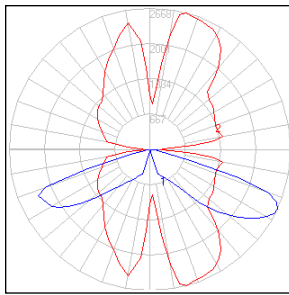
Photometric testing performed by an independent laboratory in accordance with IES LM-79-08 standards at 25°C. Lumen depreciation in accordance with IESNA LM80 standards. CE certification on request.

Rated IP65.



EC600/EC601 SERIES ECLIPSE MINI - LED

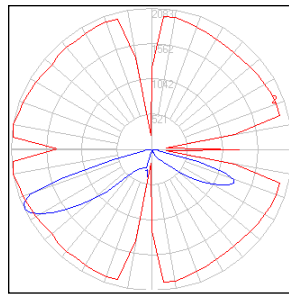
TYPICAL PHOTOMETRY SUMMARY



Descriptive Information

EC600-L1W48r0-R3
EC601-L1W48r0-R3

Total Lms: 4684 Lumens
Total Input Watts: 49.3 W
Source: LED
Efficacy: 95.0 Lumens/Watt
BUG: B2-U0-G2
CCT/CRI: 4000K/80
Maximum Candela: 2668 @ 75°H/65°V




Descriptive Information

EC600-L1W48r0-R5
EC601-L1W48r0-R5

Total Lms: 4646 Lumens
Total Input Watts: 50.1 W
Source: LED
Efficacy: 92.7 Lumens/Watt
BUG: B3-U0-G3
CCT/CRI: 4000K/80
Maximum Candela: 2083 @ 65°V

Please visit our web site www.luminis.com for complete I.E.S. formatted download data.

LUMINAIRE SELECTION

MODEL#	LED LIGHT SELECTION (4000K/80CRI)	VOLTAGE ¹	FINISH																								
 <input type="checkbox"/> EC600	<table border="1"> <thead> <tr> <th></th> <th>INPUT WATTS</th> <th>DELIVERED LUMENS</th> <th>MODEL</th> </tr> </thead> <tbody> <tr> <td rowspan="3">Type III</td> <td>19W</td> <td>1869</td> <td><input type="checkbox"/> EC600-L1W18r1-R3</td> </tr> <tr> <td>34W</td> <td>3294</td> <td><input type="checkbox"/> EC600-L1W30r1-R3</td> </tr> <tr> <td>49W</td> <td>4684</td> <td><input type="checkbox"/> EC600-L1W48r0-R3</td> </tr> <tr> <td rowspan="3">Type V</td> <td>19W</td> <td>1830</td> <td><input type="checkbox"/> EC600-L1W18r1-R5</td> </tr> <tr> <td>34W</td> <td>3221</td> <td><input type="checkbox"/> EC600-L1W30r1-R5</td> </tr> <tr> <td>50W</td> <td>4646</td> <td><input type="checkbox"/> EC600-L1W48r0-R5</td> </tr> </tbody> </table>		INPUT WATTS	DELIVERED LUMENS	MODEL	Type III	19W	1869	<input type="checkbox"/> EC600-L1W18r1-R3	34W	3294	<input type="checkbox"/> EC600-L1W30r1-R3	49W	4684	<input type="checkbox"/> EC600-L1W48r0-R3	Type V	19W	1830	<input type="checkbox"/> EC600-L1W18r1-R5	34W	3221	<input type="checkbox"/> EC600-L1W30r1-R5	50W	4646	<input type="checkbox"/> EC600-L1W48r0-R5	<input type="checkbox"/> 120V <input type="checkbox"/> 277V Optional <input type="checkbox"/> 347V	STANDARD COLORS <input type="checkbox"/> WHT Snow white <input type="checkbox"/> BKT Jet black <input type="checkbox"/> BZT Bronze <input type="checkbox"/> MST Matte silver <input type="checkbox"/> GRT Titanium gray <input type="checkbox"/> DGT Gun metal <input type="checkbox"/> CHT Champagne OPTIONAL COLORS <input type="checkbox"/> CS Custom color <input type="checkbox"/> RAL RAL# color (Refer to color chart)
		INPUT WATTS	DELIVERED LUMENS	MODEL																							
Type III	19W	1869	<input type="checkbox"/> EC600-L1W18r1-R3																								
	34W	3294	<input type="checkbox"/> EC600-L1W30r1-R3																								
	49W	4684	<input type="checkbox"/> EC600-L1W48r0-R3																								
Type V	19W	1830	<input type="checkbox"/> EC600-L1W18r1-R5																								
	34W	3221	<input type="checkbox"/> EC600-L1W30r1-R5																								
	50W	4646	<input type="checkbox"/> EC600-L1W48r0-R5																								
<table border="1"> <thead> <tr> <th></th> <th>INPUT WATTS</th> <th>DELIVERED LUMENS</th> <th>MODEL</th> </tr> </thead> <tbody> <tr> <td>AMBER LED LIGHT SELECTION</td> <td>17W</td> <td>388</td> <td><input type="checkbox"/> EC600-L1W18K2A</td> </tr> <tr> <td></td> <td></td> <td></td> <td><input type="checkbox"/> EC601-L1W18K2A</td> </tr> </tbody> </table>		INPUT WATTS	DELIVERED LUMENS	MODEL	AMBER LED LIGHT SELECTION	17W	388	<input type="checkbox"/> EC600-L1W18K2A				<input type="checkbox"/> EC601-L1W18K2A															
	INPUT WATTS	DELIVERED LUMENS	MODEL																								
AMBER LED LIGHT SELECTION	17W	388	<input type="checkbox"/> EC600-L1W18K2A																								
			<input type="checkbox"/> EC601-L1W18K2A																								

OPTIONS

ELECTRICAL

- FS Fuse²
- PH Photocell²
- 347L 347V input power driver

LIGHT

Alternate CCT °K LED (LCF: Lumen conversion factor)

- K27 2700K CCT 80 CRI (LCF: 0.91)
- K3 3000K CCT 80 CRI (LCF: 0.94)
- K35 3500K CCT 80 CRI (LCF: 0.98)

NOTE: Other CCT & higher CRI available, please consult factory.

MOUNTING

- AC6 Pole mount attachment with 45° support
- 2AC6 Double pole mount attachments with 45° support at 180°
- AW6 Wall mount attachment with 45° support
- EC6P Pole mount attachment with arm
- 2EC6P Double pole mount attachment with arms at 180°
- EC6W Wall mount attachment with arm
- EC6PS Pole mount attachment with short arm (EC600 only)
- 2EC6PS Double pole mount attachment with short arms at 180° (EC600 only)
- EC6WS Wall mount attachment with short arm (EC600 only)
- TN3 3" Tenon pole adaptor³
- PR6 Pedestal mount adaptor

ACCESSORIES

- BLC Back light control⁴

NOTES

- 1- If no voltage is specified, luminaires are factory prewired by default for 120V. For other voltages, please specify with catalog number, or consult factory.
- 2- Fuse and photocell options are normally installed with poles when specified with Luminis luminaires. (Except for other types of mounting.)
- 3- 3" tenon pole adaptor only required for 3" O.D. poles by others.
- 4- BLC: Back Light Control - Type II Distribution.

LUMINIS®

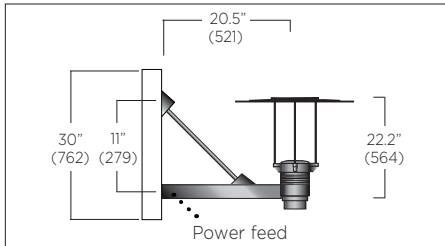
LUMINIS | Toll free: 866.586.4647 Fax: 514.683.8872
260 Labrosse, Pointe-Claire (QC) Canada H9R 5L5

LUMINIS.COM

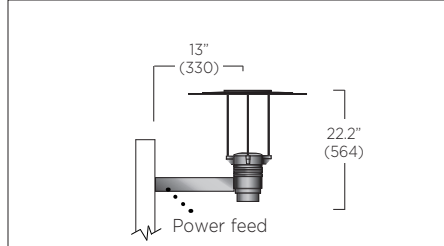
Luminaires may be altered for design improvement or discontinued without prior notice.

EC600/EC601 SERIES ECLIPSE MINI - LED

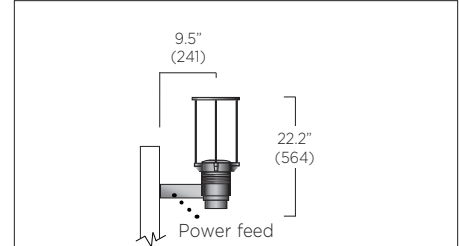
POLE MOUNT



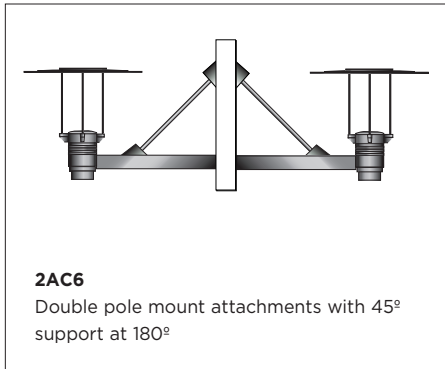
AC6
1" X 2" (25x51) extruded aluminum extended arm pole mounting adaptor designed to fit with 4 to 5" dia. poles. 1/2" dia. X 45° standard natural stainless steel rod support. (EPA: 0.7)



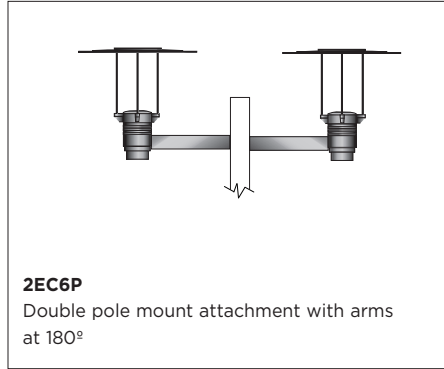
EC6P (Applicable for EC600 and EC601)
1" X 2" (25x51) extruded aluminum side pole straight mounting. Pole mounting adaptor fits with 4 to 5" dia. poles. (EPA: 0.97)



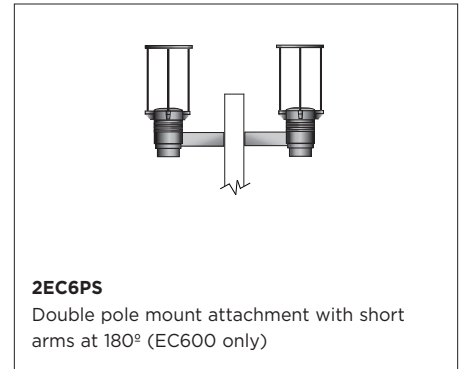
EC6PS (Applicable for EC600 only)
1" X 2" (25x51) extruded aluminum side pole straight mounting. Pole mounting adaptor fits with 4 to 5" dia. poles. (EPA: 0.72)



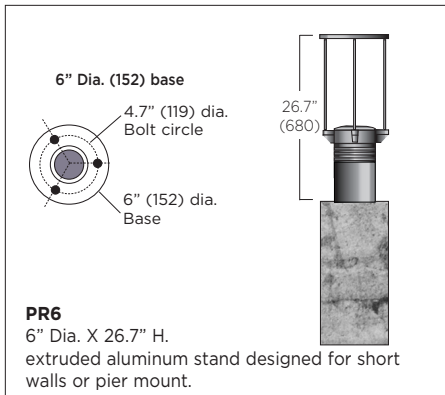
2AC6
Double pole mount attachments with 45° support at 180°



2EC6P
Double pole mount attachment with arms at 180°



2EC6PS
Double pole mount attachment with short arms at 180° (EC600 only)



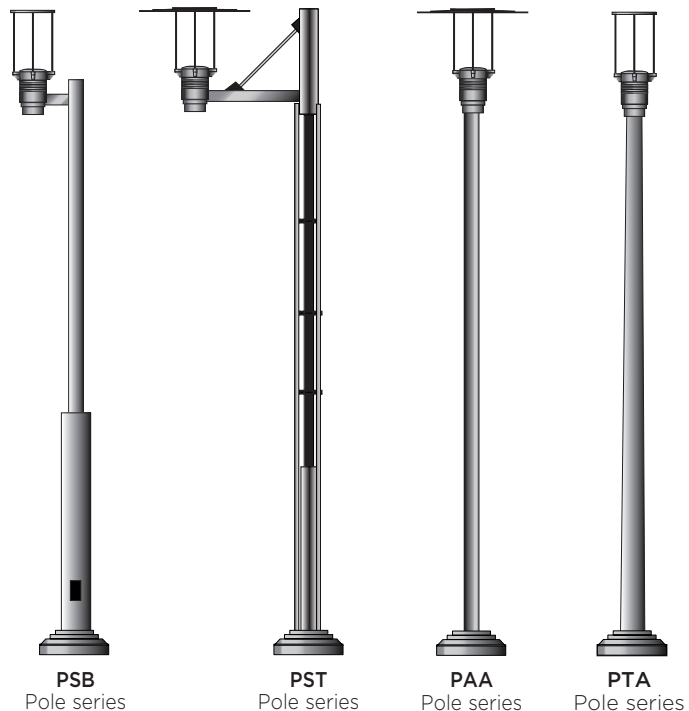
PR6
6" Dia. X 26.7" H. extruded aluminum stand designed for short walls or pier mount.

NOTE: PST pole with AC6 or 2AC6 attachment requires a 30" (762) tenon extension over pole nominal height. EC6P, 2EC6P, EC6PS and 2EC6PS require an 18" tenon extension. Factory installed.

MATCHING POLE SELECTION

Ø 4"	Ø 5"	Ø 4"	Tapered Pole	Ø 4"	Height
PAA410	PAA510	PST10	-----	PSB10	10 Ft. (3 M)
PAA412	PAA512	PST12	-----	PSB12	12 Ft. (3,6 M)
PAA414	PAA514	PST14	-----	PSB14	14 Ft. (4,2 M)
PAA416	PAA516	PST16	PTA16	PSB16	16 Ft. (4,8 M)
PAA418	PAA518	-----	PTA18	PSB18	18 Ft. (5,5 M)
PAA420	PAA520	-----	PTA20	PSB20	20 Ft. (6,0 M)
-----	-----	-----	PTA25	-----	25 Ft. (7,6 M)

For additional pole details, please refer to separate pole specification sheet.
Ø 4"= 102mm Ø5"= 127mm



EC600/EC601 SERIES ECLIPSE MINI - LED

WALL MOUNT

AW6
1" X 2" (25X51) extruded aluminum extended arm wall mounting adaptor with cast aluminum covers and galvanized steel mounting plates. 1/2" dia. X 45° standard natural stainless steel rod support.

Mounting

EC6W (Applicable for EC600 and EC601)
1" X 2" (25X51) extruded aluminum wall mount arm with cast aluminum wall plate.

Mounting

EC6WS (Applicable for EC600 only)
1" X 2" (25X51) extruded aluminum wall mount arm with cast aluminum wall plate.

Mounting

