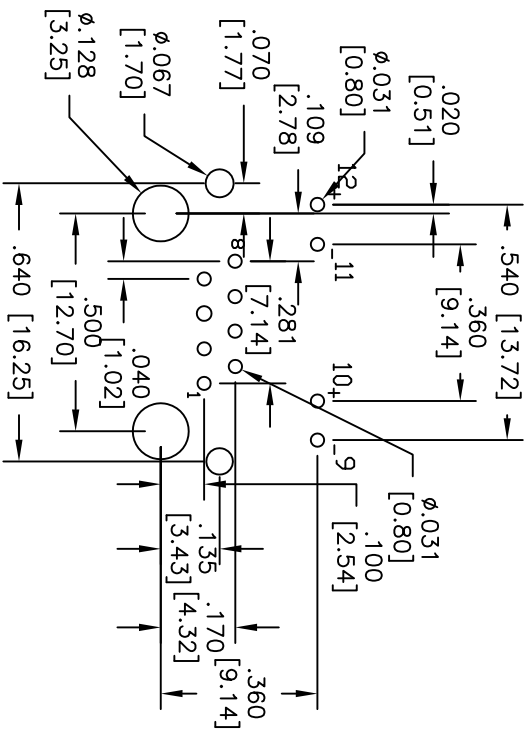
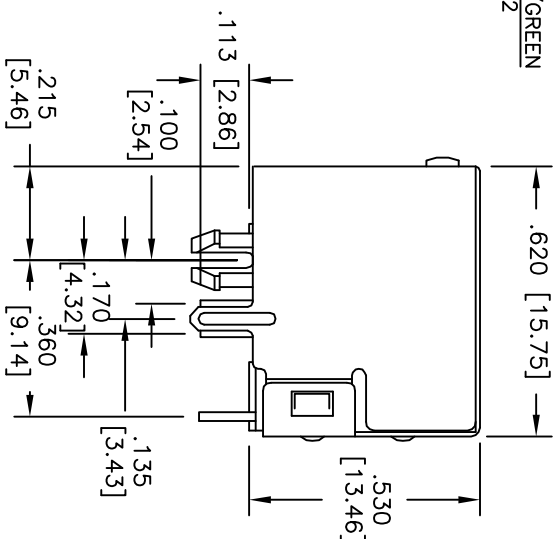
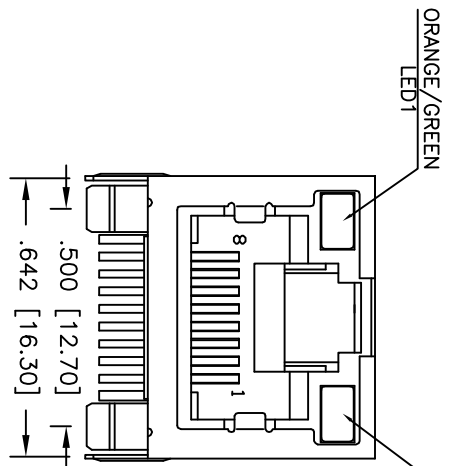


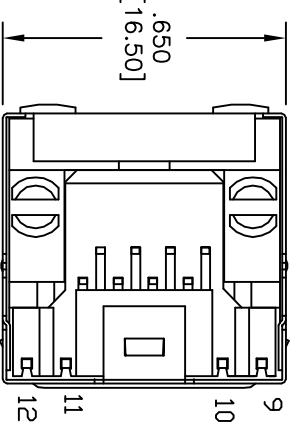
Rev	AWO #	Description	Date	Appr
-		RELEASED	11/20/09	

APPROVED: _____
 DATE: _____ TITLE: _____



RECOMMENDED PCB LAYOUT

X	PLATING
0	15 uin Gold
1	30 uin Gold
2	50 uin Gold



SPECIFICATIONS:

Material:
 Insulator: PBT, rated UL 94V-0
 Insulator color: Yellow, P114C follow Pantone color
 Contacts: Phosphor Bronze
 Shield: Brass
Plating:
 Gold flush over Nickel underplate on contact area,
 Tin over copper underplate on solder tails.
 (See chart for thickness)

Electrical:
 Operating voltage: 125 VAC max
 Current rating: 1.5 Amps max
 Contact resistance: 45 mohms max. initial
 Insulation resistance: 1000 Mohms min
 Dielectric withstanding voltage: 1,000 VAC for 1 minute

Temperature Rating:
 Operating temperature: -40°C to +85°C
Environmental:
 Lead free, RoHS compliant.
 Recommended soldering temp: 235°C for 5 sec.



ADAM TECH

909 Railway Avenue, Union, NJ 07083
 Phone: 908-687-5000 Fax: 908-687-5710

TITLE: MODULAR TELEPHONE JACK, COLOR YEL P114C
 R/A, Cat.5, W/LED1 ORN / GRN, LED2 ORN / GRN

UNLESS OTHERWISE SPECIFIED ALL DIMENSIONS ARE INCHES [MM]	
TOLERANCES: EXCEPT AS NOTED	
INCHES	
.X	± .10
.XX	± .020
.XXX	± .015
Ø.X	± .10
Ø.XX	± .015
Ø.XXX	± .010
APPROVALS	
DRAWN	DY
CHECKED	
APPROVED	
DATE	11/20/09

SIZE	PART NO.	REV.
X	MTJ-88ARX1-FSM-L1-P114C	-