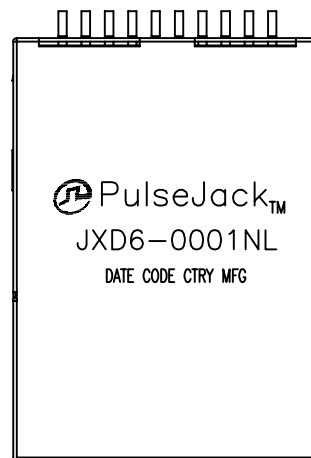


NOTES:

1. CONNECTOR MATERIAL:
 HOUSING:LCP BLACK UL94 V-0
 INSERTER:LCP BLACK UL94 V-0
 SHIELD:BRASS
 SHIELD PLATING:NICKEL
 CONTACT:COOPER ALLOY
 CONTACT PLATING:SELECTIVE GOLD,6 MICRO-INCHS MIN IN CONTACT AREA
2. PIN NOT ELECTRICALLY CONNECTED MAYBE OMITTED SEE ELECTRICAL DRAWING FOR OMITTED PINS
3. RJ45 CAVITIES CONFORM TO FCC RULES AND REGULATION PART 68.
4. OPERATING TEMPERATURE T=-40°C TO +85°C.
5. STORAGE TEMPERATURE T=-40°C TO +85°C.
6. COMPLIANCE TO J-STD:
 - A. J-STD-020: LEVEL 1, NO MOISTURE SENSITIVE
 - B. REFLOW PROFILE PEAK TEMPERATURE 245°C MAX/8 SECONDS



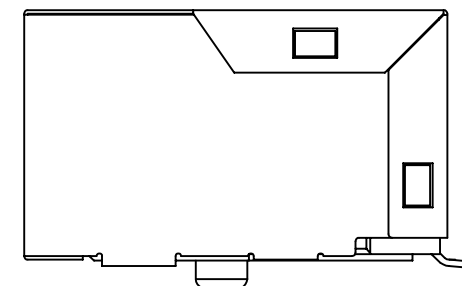
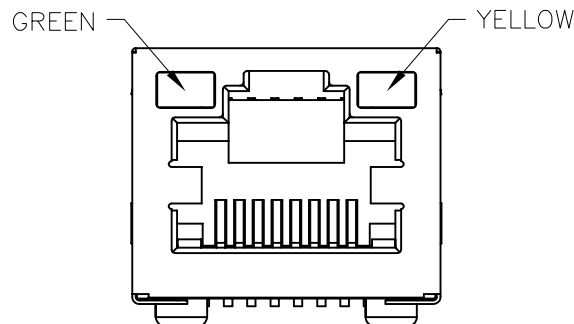
TO ORDER IN TAPE AND REEL ADD THE LETTER "T" TO THE ORDERING CODE eg. JXD6-0001NL BECOMES JXD6-0001NLT

PACKING SPECIFICATION

REEL DIAMETER 330.0mm
 TAPE WIDTH 44.0mm
 POCKET PITCH 32.0mm

QUANTITY PER REEL 75 pcs

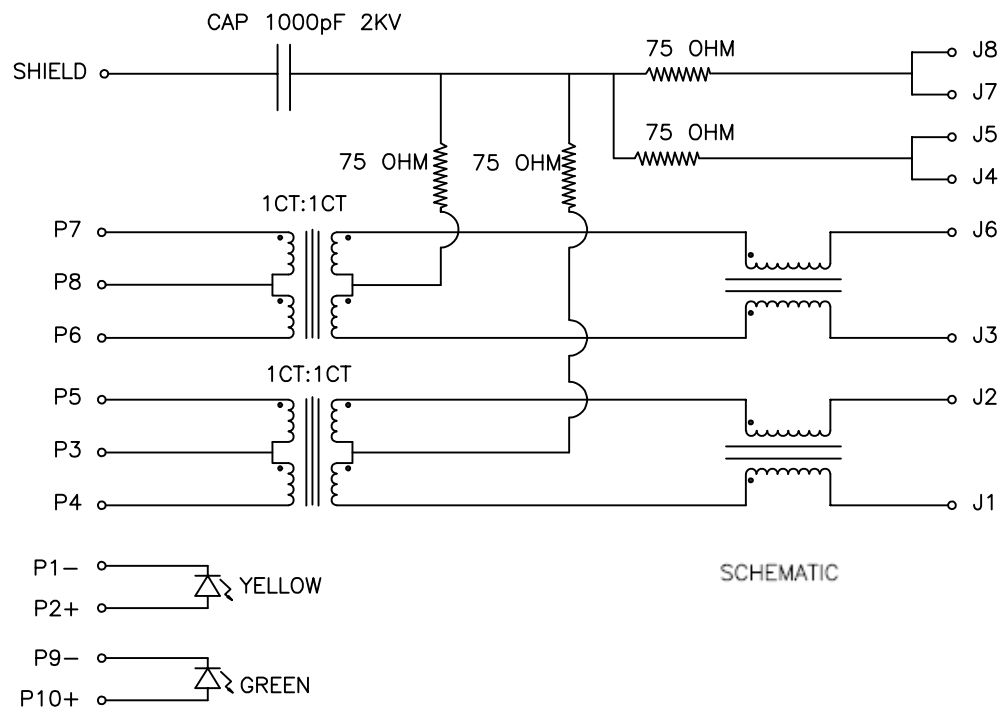
COMPONENT WEIGHT 8.1 grams



FINAL OUTLINE

© Copyright, 2016. Pulse Electronics Corp. All rights reserved. Pulse confidential & proprietary. (06/16/16)

PRODUCT DESCRIPTION	TLA DRAWING	PS DRAWING	SHEET	PART NO.	DATASHEET REV.
CONN,RJ45,1X1,100D,1:1,TY	JXD6-0001NL-X1	PS-XXXX	1 OF 4	JXD6-0001NL	A



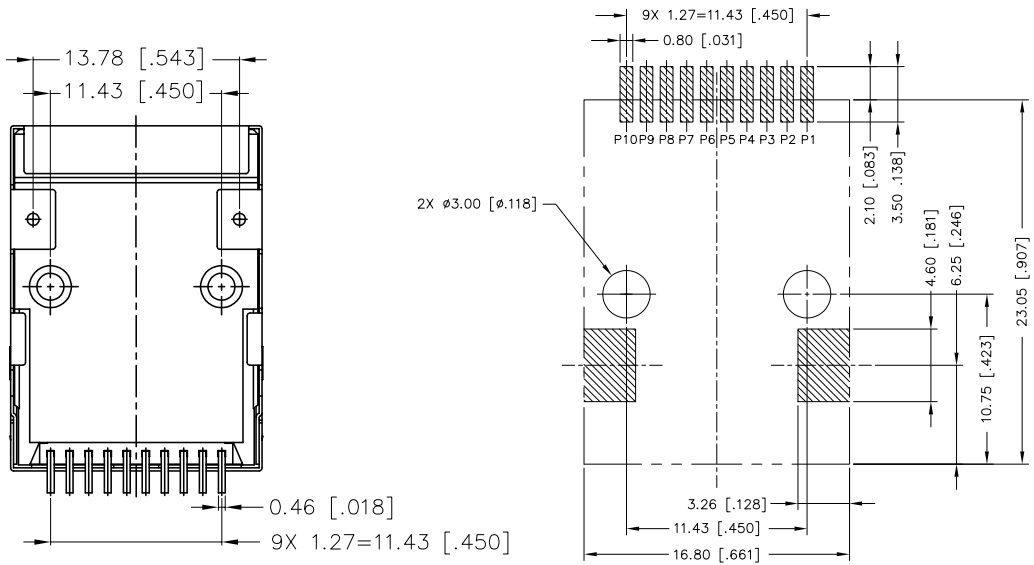
ELECTRONICAL SPECIFICATIONS:

- 1.0 TURN RATIO @100KHz: (P4~P5):(J1~J2) = 1:1±5%
(P6~P7):(J3~J6) = 1:1±5%
- 2.0 PRIMARY INDUCTANCE: 350uH MIN @100KHz, 0.1V 8mA DC BIAS
- 3.0 DC RESISTANCE: (J1~J2):(J3~J6) 1.2 OHMS MAX
- 4.0 INSERTION LOSS: 1-100MHz -1.2dB MAX
- 5.0 RETURN LOSS: 1-30MHz -16dB MIN
30-60MHz -12dB MIN
60-80MHz -10dB MIN
- 6.0 CROSS TALK: 1-100MHz -30dB MIN
- 7.0 COMMON TO COMMON MODE ATTENUATION: 1-100MHz -30dB MIN
- 8.0 ISOLATION: PHY SIDE TO LINE SIDE: 2250VDC

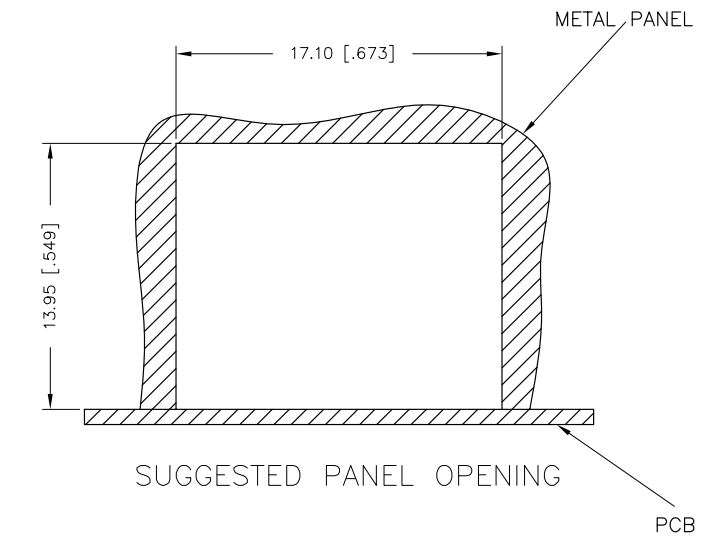
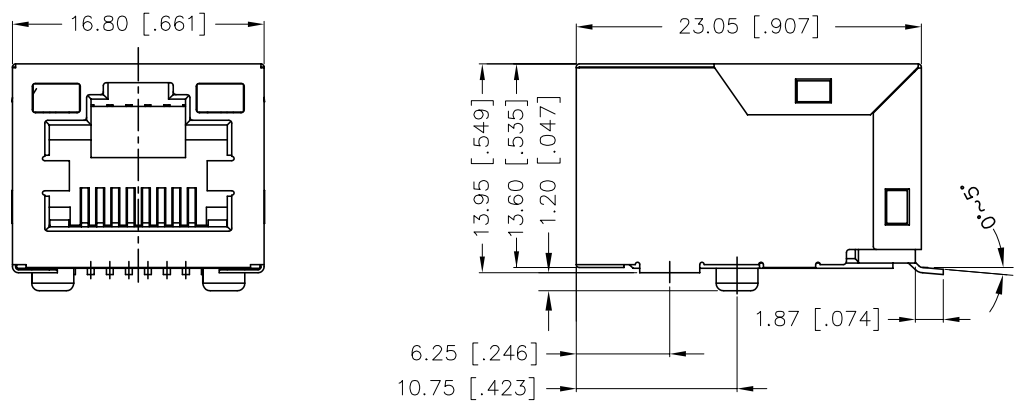
STANDARDLED	WAVELENGTH	FORWARD CURRENT	FORWARD V (MAX)	TYP
GREEN	565nm	20 mA	2.4V	2.2V
YELLOW	590nm	20 mA	2.5V	2.1V

© Copyright, 2016. Pulse Electronics Corp. All rights reserved. Pulse confidential & proprietary. (06/16/16)

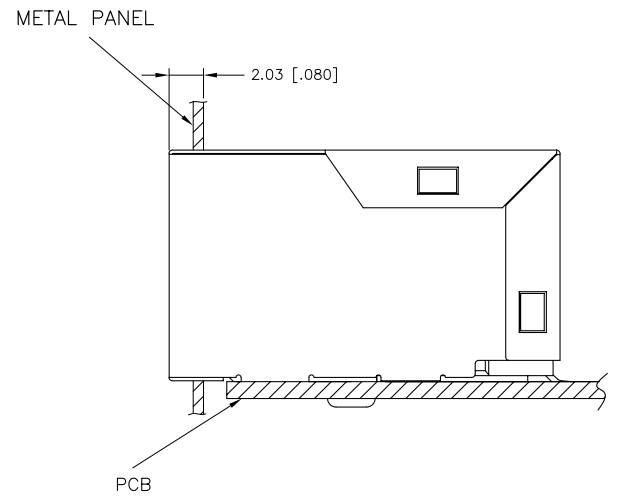
PRODUCT DESCRIPTION	TLA DRAWING	PS DRAWING	SHEET	PART NO.	DATASHEET REV.
CONN,RJ45,1X1,100D,1:1,TY	JXD6-0001NL-X1	PS-XXXX	2 OF 4	JXD6-0001NL	A



RECOMMENDED PCB LAYOUT
(COMPONENT SIDE VIEW)



SUGGESTED PANEL OPENING

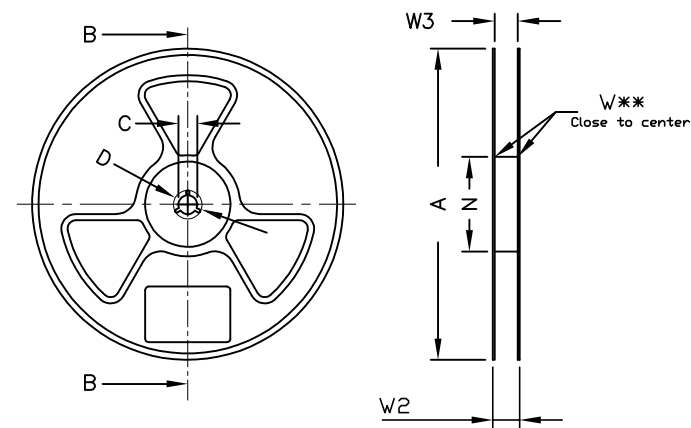
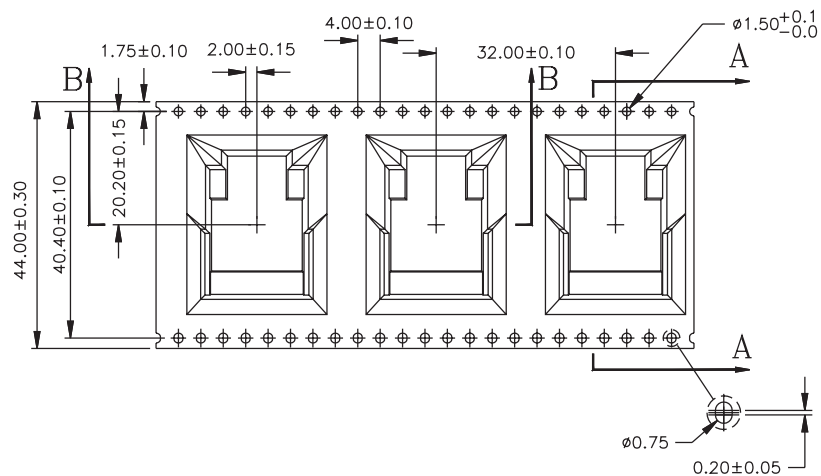


TOLERANCES: [INCHES] ARE FOR REFERENCE ONLY.
X.XX = ±0.10 [±.004]

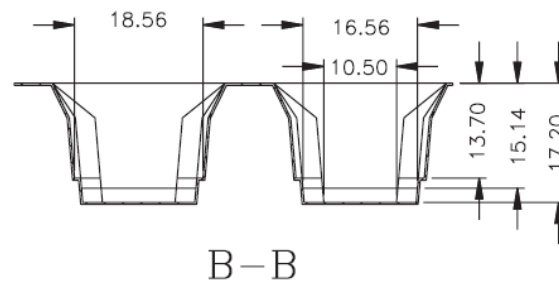
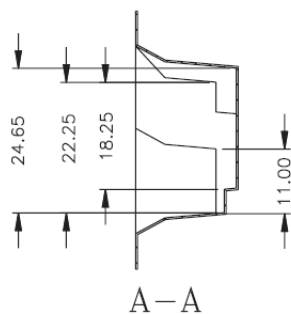
DIMENSIONS ARE IN MILLIMETERS [INCHES] WITH THE FOLLOWING TOLERANCES: [INCHES] ARE FOR REFERENCE ONLY.
X.XX = ±0.25 [±.010]

© Copyright, 2016. Pulse Electronics Corp. All rights reserved. Pulse confidential & proprietary. (06/16/16)

PRODUCT DESCRIPTION	TLA DRAWING	PS DRAWING	SHEET	PART NO.	DATASHEET REV.
CONN,RJ45,1X1,100D,1:1,TY	JXD6-0001NL-X1	PS-XXXX	3 OF 4	JXD6-0001NL	A



	A	B	C	D	N	W1	W2	W3	W3	
Tolerance		min.	±0.8	min.	min.	+1.5	max.	min.	max.	
Tape width	mm	330.00	1.50	13.00	20.20	100.00	16.4	50.4	44.4	46.39



DIMENSIONS ARE IN MILLIMETERS [INCHES] WITH THE FOLLOWING TOLERANCES: [INCHES] ARE FOR REFERENCE ONLY.
X.XX= ±0.25 [±.010]

© Copyright, 2016. Pulse Electronics Corp. All rights reserved. Pulse confidential & proprietary. (06/16/16)

PRODUCT DESCRIPTION	TLA DRAWING	PS DRAWING	SHEET	PART NO.	DATASHEET REV.
CONN,RJ45,1X1,100D,1:1,TY	JXD6-0001NL-X1	PS-XXXX	4 OF 4	JXD6-0001NL	A