

PLEASE CHECK WWW.MOLEX.COM FOR LATEST PART INFORMATION

Part Number: [0354648000](#)
Status: **Active**
Overview: [bulb sockets](#)
Description: Positive Terminal for PT Bulb Socket, AVSS 0.50~0.85mm²

Documents:

[Drawing \(PDF\)](#) [RoHS Certificate of Compliance \(PDF\)](#)
[Product Specification PS-35842-001 \(PDF\)](#)

General

Product Family	Crimp Terminals
Series	35464
Crimp Quality Equipment	Yes
Overview	bulb sockets
Product Name	Bulb Socket

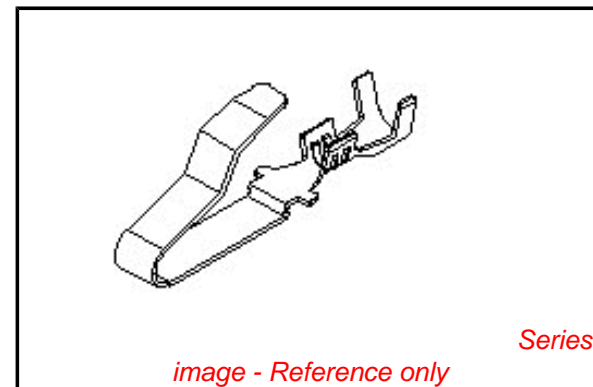
Physical

Gender	Female
Material - Metal	Phosphor Bronze
Material - Plating Mating	Unplated
Material - Plating Termination	Unplated
Packaging Type	Reel
Termination Interface: Style	Crimp or Compression
Wire Insulation Diameter	1.90mm (.075") max.
Wire Size AWG	18, 20
Wire Size mm ²	N/A

Material Info

Reference - Drawing Numbers

Packaging Specification	PK-35464-8000
Product Specification	PS-35842-001
Sales Drawing	SD-35464-001



EU RoHS

ELV and RoHS Compliant
REACH SVHC
Contains SVHC: No
Halogen-Free Status

China RoHS



Need more information on product environmental compliance?

Email productcompliance@molex.com
 For a multiple part number RoHS Certificate of Compliance, [click here](#)

Please visit the [Contact Us](#) section for any non-product compliance questions.

Search Parts in this Series

[35464Series](#)

Use With

[35842](#) , [35843](#)

Application Tooling | FAQ

Tooling specifications and manuals are found by selecting the products below. Crimp Height Specifications are then contained in the Application Tooling Specification document.

Global

Description	Product #
Hand Crimp Tool for Bulb Socket Positive Terminal	0638195000
Fine Adjust Applicator for Sealed PT-Bulb Socket Positive Terminal 0.50-0.85mm ² and 18-20 AWG.	0639012100

This document was generated on 06/01/2010

PLEASE CHECK WWW.MOLEX.COM FOR LATEST PART INFORMATION

DWG. NO. SD-35464-001

PROJECT NO.

E

D

C

B

DO NOT SCALE DRAWING
DIMENSION IN METRIC

11 10 9 8 7 6 5 4 3 2

11 10 9 8 7 6 5 4 3 2

H

G

F

E

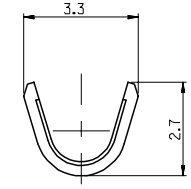
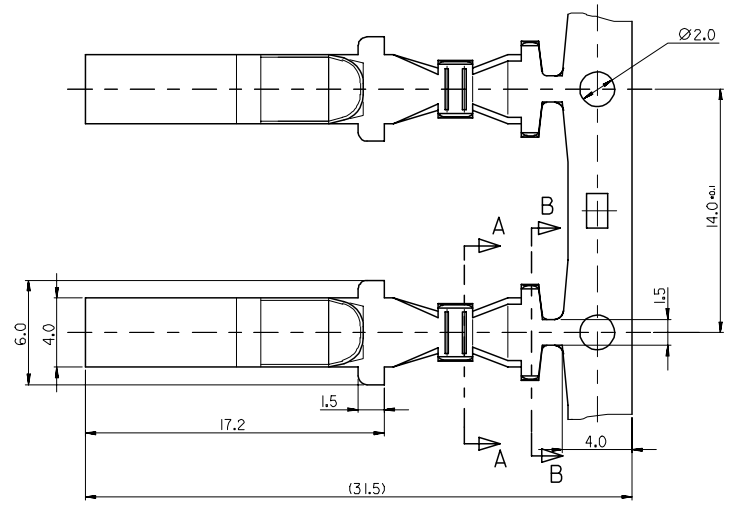
D

C

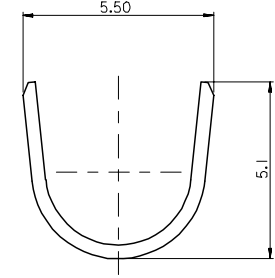
B

A

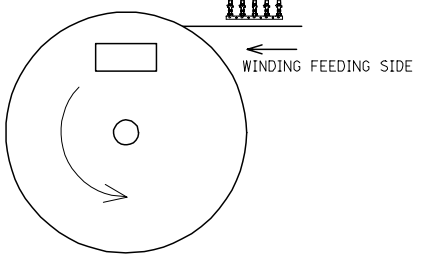
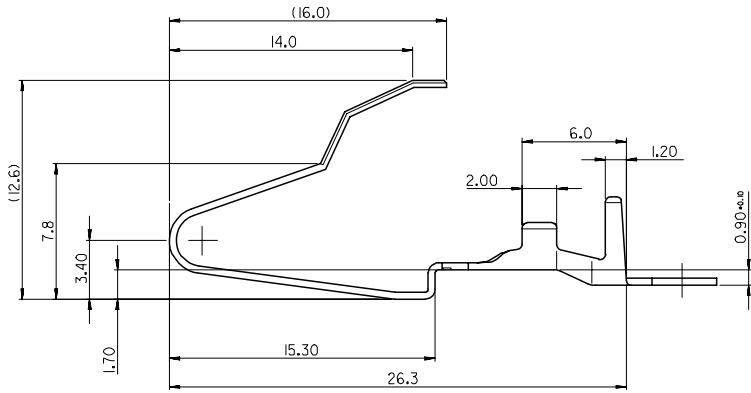
MX-A2



SECT. A-A



SECT. B-B



WINDING FEEDING SIDE

NOTES

1. APPLICABLE WIRE SIZE :AVS (AVSS)0.5±0.85 SQUARE MILIMETER
2. APPLICABLE WIRE SEAL PART NO: 35903-0096
3. APPLICABLE SOCKET PART NO: 35842-030*/35843-02**
4. MATERIAL: PHOSPHOR BRONZE,
PLATING=UNPLATED, THICKNESS=0.40mm

CHANGED DIMENSION	EC NO.	Y.SIK.KIM/01/09/20	QUALITY SYMBOLS	GENERAL TOLERANCES: (UNLESS SPECIFIED)	SCALE	DESIGN UNITS	THIRD ANGLE PROJECTION	DIMENSIONS:	SHT	REV
	DRWN:	Y.SIK.KIM/01/09/20	MAJOR =0	mm INCH	1:1	mm INCH	<input checked="" type="checkbox"/> mm <input type="checkbox"/> INCH	mm mm		
B	CHK:	Y.SIK.KIM/01/09/20	CRITICAL =0	4 PLACES ±	Y.SIK.KIM	98/11/26	MATERIAL NO. 35464-8000	DRAWING NO. SD-35464-001	SHEET NO. 1 OF 1	REVISE ON CAD ONLY
	APPR:	C.W.LEE	01/09/21	3 PLACES ±	CHECKED BY & DATE	B.K.CHOI				
	REV			2 PLACES ±	APPROVED BY & DATE	C.W.LEE	98/11/30	TITLE: SEALED PT BULB SOCKET POSITIVE TERMINAL		
				1 PLACE ±	CAD FILENAME	sd35464.dgn	MOLEX INCORPORATED KOREA			
DRAFT WHERE APPLICABLE MUST REMAIN WITHIN DIMENSIONS				THIS DRAWING CONTAINS INFORMATION THAT IS PROPRIETARY TO MOLEX INCORPORATED AND SHOULD NOT BE USED WITHOUT WRITTEN PERMISSION.						