



SPDT Electromechanical Relay Switch DC to 26.5 GHz, SMA, 30 Watts, 12V Control with Indicators, Latching

TECHNICAL DATA SHEET

PE71S6100

The PE71S6100 is Single Pole Double Throw Switch that operates from DC to 26.5 GHz. The switch has a latching actuator, Indicators and 1M life cycles. The switch has an operating voltage of 12 Volts and has TTL Control.

Features

- SPDT Switch
- DC to 26.5 GHz Operating Frequency Range
- 1 M Cycles min
- Latching Switch
- Indicators
- Switching Sequence Break Before Make

Applications

- Test & Measurement
- Communications System
- Instrumentation

Electrical Specifications

Frequency Range	DC to 26.5 GHz
Impedance	50 Ohms
Actuator	Indicators, Latching
Actuating Current	200 mA
Control Voltage	12 Volts
RF Input Power (Max CW)	30 Watts

RF Characteristic

Description	Band 1	Band 2	Band 3	Band 4	Band 5	Units
Frequency Range	DC to 4	4 to 8	8 to 12	12 to 18	18 to 26.5	GHz
VSWR, Max	1.25:1	1.25:1	1.3:1	1.35:1	1.5:1	
Insertion Loss, Max	0.2	0.25	0.3	0.4	0.5	dB
Isolation, Min	80	75	70	60	50	dB

Mechanical Specifications

Connector Type	SMA Female
Operating Life	1,000,000
Terminals	Solder Pins
Switching Time (nominal voltage, 25°C)	<20 ms Typ

Environmental Specifications

Temperature	
Operating Range	-25 to +85 deg C
Environment	MIL-DTL-3928
Housing Material and Plating	Aluminum

Compliance Certifications (visit www.Pasternack.com for current document)

RoHS Compliant

Click the following link (or enter part number in "SEARCH" on website) to obtain additional part information including price, inventory and certifications: [SPDT Electromechanical Relay Switch DC to 26.5 GHz, SMA, 30 Watts, 12V Control with Indicators, Latching PE71S6100](#)



SPDT Electromechanical Relay Switch DC to 26.5 GHz, SMA, 30 Watts, 12V Control with Indicators, Latching

TECHNICAL DATA SHEET

PE71S6100

Plotted and Other Data

Notes:

- Values at +25 °C, sea level
- ESD Sensitive Material, Transport material in Approved ESD bags. Handle only in approved ESD Workstation



SPDT Electromechanical Relay Switch DC to 26.5 GHz, SMA, 30 Watts, 12V Control with Indicators, Latching from Pasternack Enterprises has same day shipment for domestic and International orders. Our RF, microwave and millimeter wave products maintain a 99% availability and are part of the broadest selection in the industry.

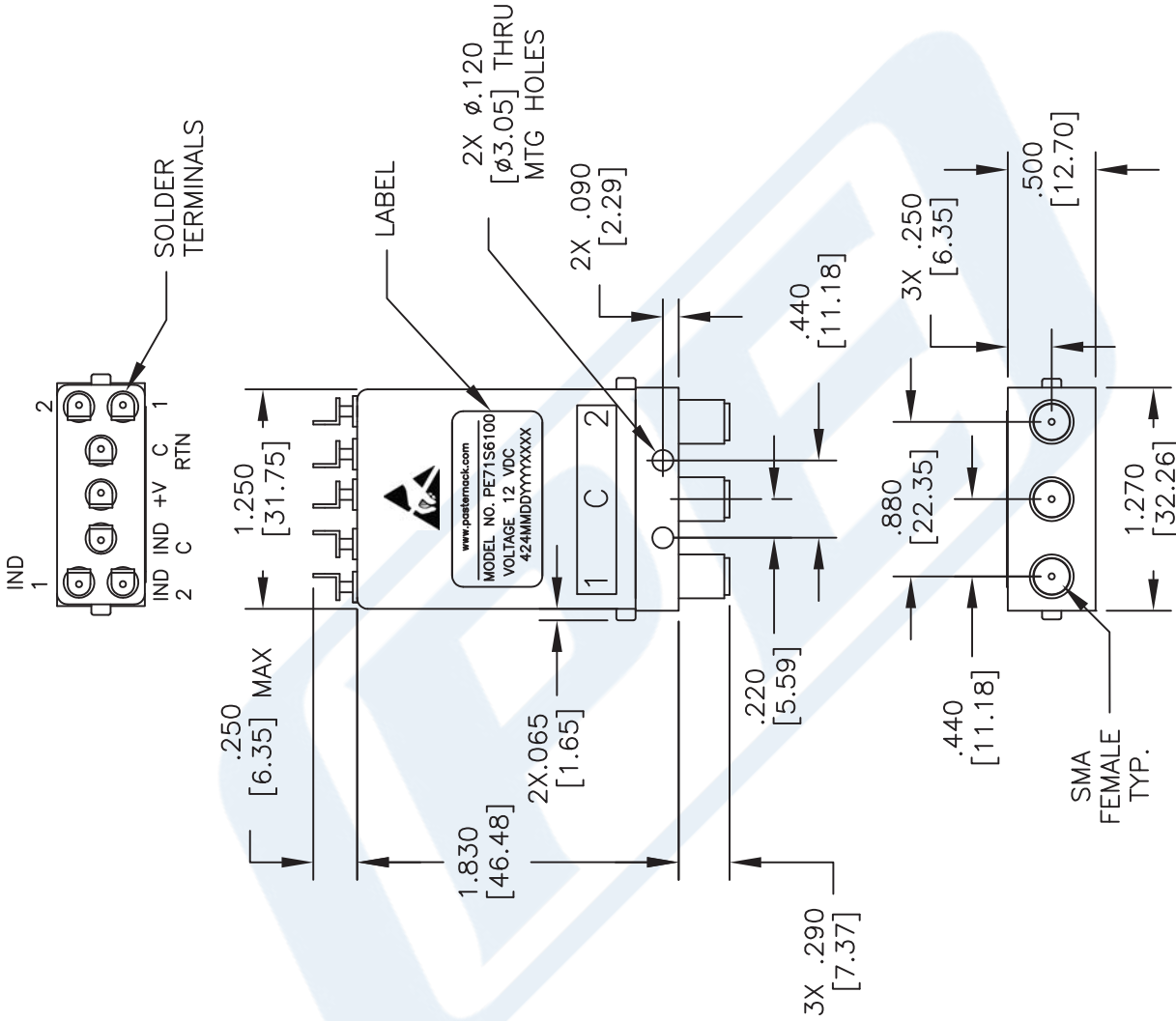
Click the following link (or enter part number in "SEARCH" on website) to obtain additional part information including price, inventory and certifications: [SPDT Electromechanical Relay Switch DC to 26.5 GHz, SMA, 30 Watts, 12V Control with Indicators, Latching PE71S6100](http://www.pasternack.com/sma-spdt-electromechanical-relay-switch-26.5-ghz-indicators-latching-pe71s6100-p.aspx)

URL: <http://www.pasternack.com/sma-spdt-electromechanical-relay-switch-26.5-ghz-indicators-latching-pe71s6100-p.aspx>

The information contained in this document is accurate to the best of our knowledge and representative of the part described herein. It may be necessary to make modifications to the part and/or the documentation of the part, in order to implement improvements. Pasternack reserves the right to make such changes as required. Unless otherwise stated, all specifications are nominal. Pasternack does not make any representation or warranty regarding the suitability of the part described herein for any particular purpose, and Pasternack does not assume any liability arising out of the use of any part or documentation.

PE71S6100 CAD Drawing

SPDT Electromechanical Relay Switch DC to 26.5 GHz, SMA,
30 Watts, 12V Control with Indicators, Latching



UNLESS OTHERWISE SPECIFIED DIMENSIONS ARE IN INCHES. TOLERANCES ARE:	
DECIMALS	ANGLES FRACTIONS
.XX \pm .01	\pm 1/2" \pm 1/16
.XXX \pm .005	
HOLE DIAMETER	TOLERANCE
.0135 TO .125	+ .004 / - .001
.126 TO .250	+ .005 / - .001
.251 TO .500	+ .006 / - .001
.501 TO .750	+ .008 / - .001
.751 TO 1.000	+ .010 / - .001
1.001 TO 2.000	+ .012 / - .001

* THESE DIMENSIONS AND TOLERANCES SUPERSEDE NOTE #1 ON TITLE BLOCK.

PE PASTERNAK
THE ENGINEER'S RF SOURCE
Pasternack Enterprises, Inc.
P.O. Box 16759 | Irvine | CA | 92623
Phone: (949) 261-1920 | Fax: (949) 261-7451
Website: www.pasternack.com | E-Mail: sales@pasternack.com

DWG TITLE
PE71S6100

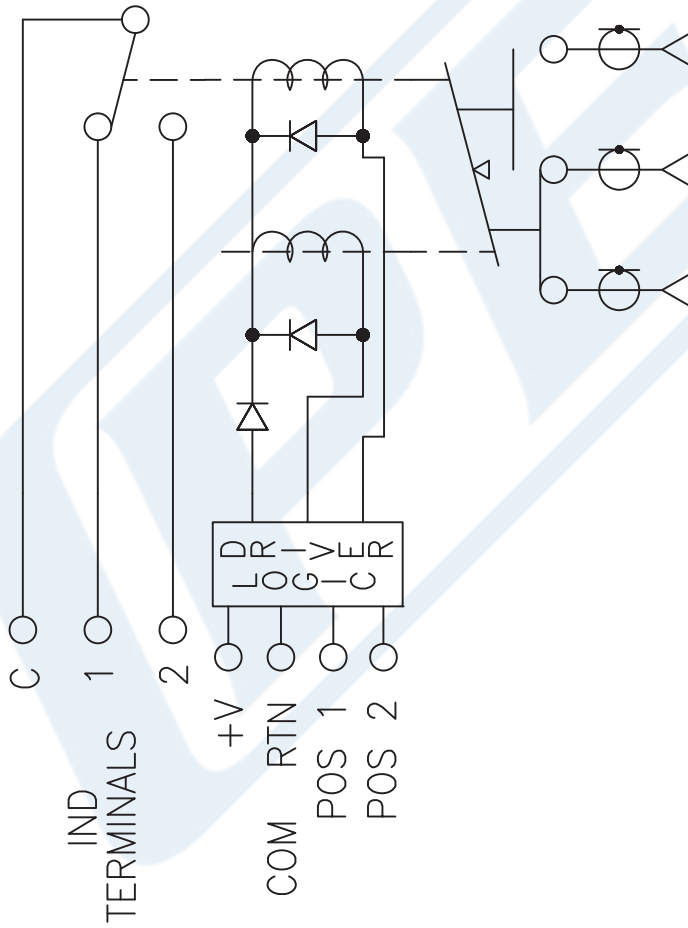
FSCM NO. 53919

NOTES:
1. UNLESS OTHERWISE SPECIFIED ALL DIMENSIONS ARE NOMINAL.
2. ALL SPECIFICATIONS ARE SUBJECT TO CHANGE WITHOUT NOTICE AT ANY TIME.
3. DIMENSIONS ARE IN INCHES [mm].

CAD FILE 030415 SCALE N/A SIZE A 200

PE71S6100 CAD Drawing

SPDT Electromechanical Relay Switch DC to 26.5 GHz, SMA,
30 Watts, 12V Control with Indicators, Latching



SCHEMATIC LATCHING SHOWN IN POSITION 1

DWG TITLE

PE71S6100

NOTES:
1. UNLESS OTHERWISE SPECIFIED ALL DIMENSIONS ARE NOMINAL.
2. ALL SPECIFICATIONS ARE SUBJECT TO CHANGE WITHOUT NOTICE AT ANY TIME.
3. DIMENSIONS ARE IN INCHES [mm].

PE PASTERNAK
THE ENGINEER'S RF SOURCE
Pasternack Enterprises, Inc.
P.O. Box 16759 | Irvine | CA | 92623
Phone: (949) 261-1920 | Fax: (949) 261-7451
Website: www.pasternack.com | E-Mail: sales@pasternack.com

FSCM NO. 53919

CAD FILE 030415

SCALE N/A

SIZE A

200