



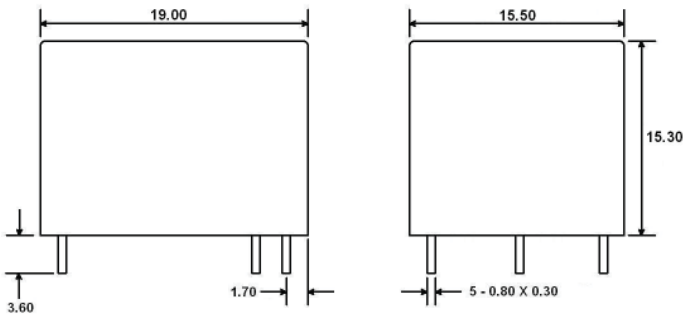
# J107F

## Ordering Information

1. Series	J107F	1C	S	12	12VDC	.36
J107F						
2. Contact Arrangement	1A = SPST N.O. 1B = SPST N.C. 1C = SPDT					
3. Sealing Option	S = Sealed					
4. Contact Rating	12 = 12A 15 = 15A 20 = 20A (20Amp available in .45 or .80 watt coil only)					
5. Coil Voltage	3VDC 5VDC 6VDC 9VDC 12VDC 18VDC 24VDC 48VDC					
6. Coil Power	.36 = .36W .45 = .45W .80 = .80W					

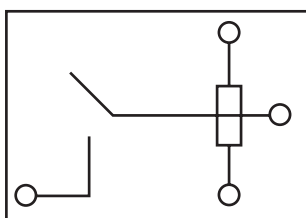
## Dimensions

Units = mm

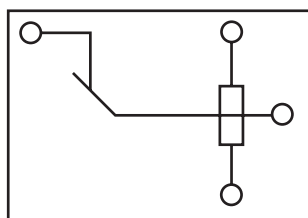


## Schematics & PC Layouts

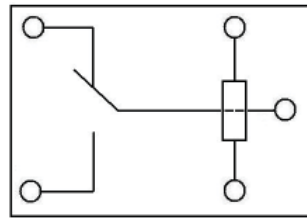
Bottom Views



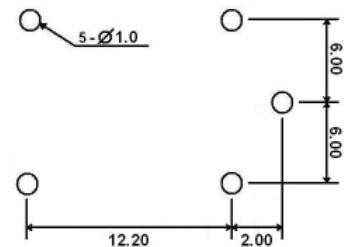
1A



1B



1C



Dimensions shown in mm. Dimensions are shown for reference purposes only.

Specifications and availability subject to change without notice.