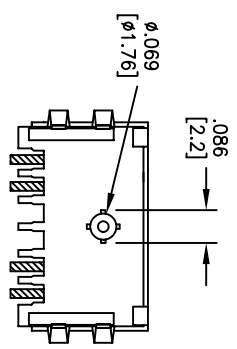
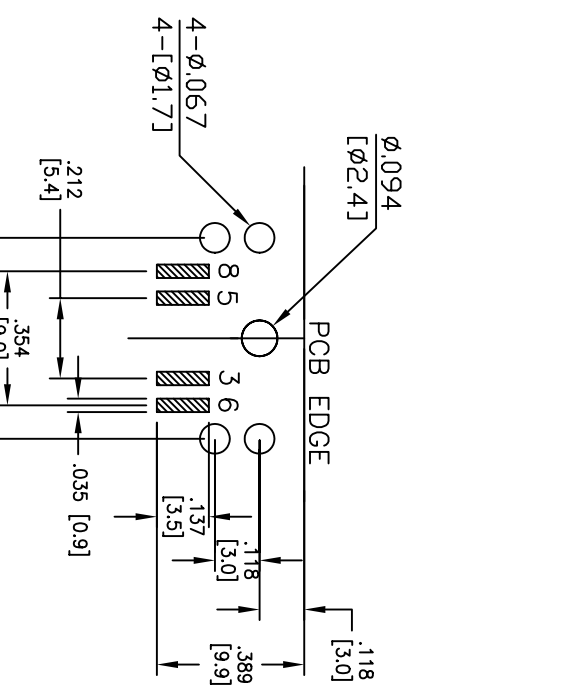
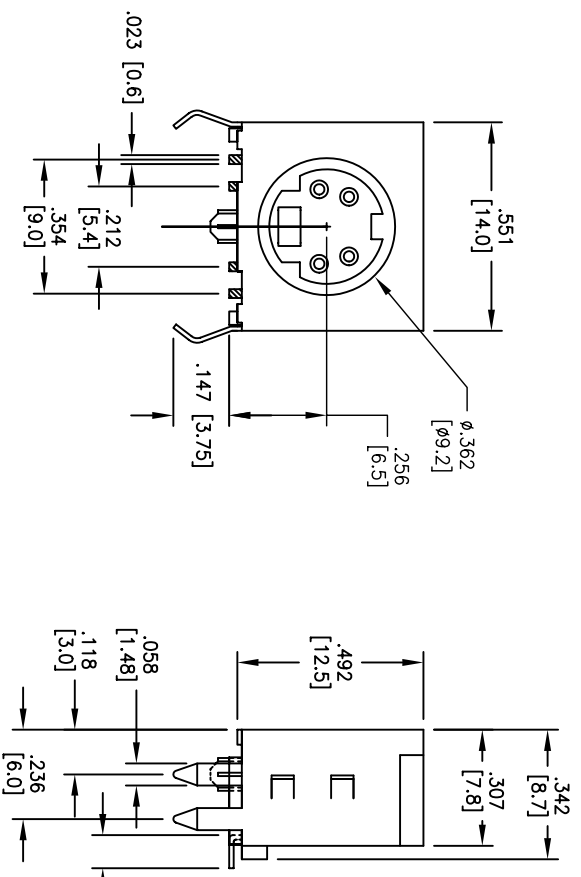


Rev	AWO #	Description	Date	Appr
-		RELEASED	9/28/04	

APPROVED: _____ TITLE: _____
 DATE: _____



SPECIFICATIONS:

Material:
 Insulator: Nylon PA9T, glass reinforced, rated UL 94V-0
 Insulator color: Black
 Contacts: Phosphor Bronze
 Shield: Brass, Tin plated
 Plating:
 Gold Flash over Nickel underplate, Tin over copper underplate on solders tails

Electrical:
 Operating voltage: 100 VAC max
 Current rating: 1 Amp max
 Insulation resistance: 500 Mohms min @ 500 VDC
 Dielectric withstanding voltage: 500 VAC for 1 minute
 Temperature Rating:
 Operating temperature: -40°C to +105°C

UNLESS OTHERWISE SPECIFIED ALL DIMENSIONS ARE INCHES [MM] TOLERANCES: EXCEPT AS NOTED	
INCHES	± .10
HOLES	± .015
ØXX	± .015
ØXXX	± .010
XXX	± .015
APPROVALS:	DATE
DRAWN	SS
CHECKED	
APPROVED	

ADAM TECH
 909 Rahway Avenue, Union, NJ 07083
 Phone: 908-687-5000 Fax: 908-687-5710

TITLE: MINI DIN, 4 POSITION, SMT
 FULLY SHIELDED, R/A

SIZE	PART NO.	SCALE:	NTS	SHEET	1 OF 1
X	MDJ-004-FS-SMT				