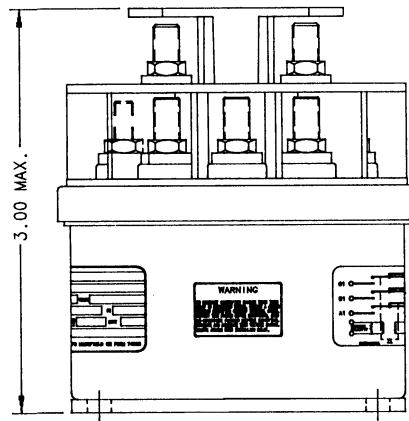
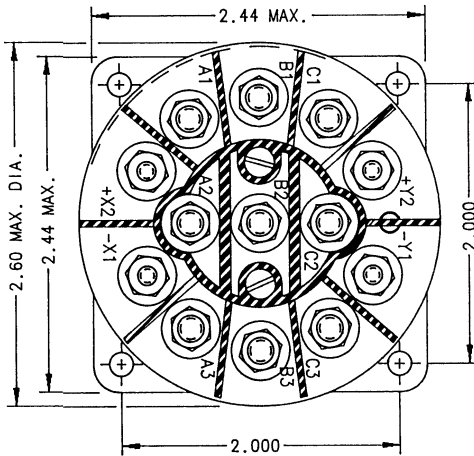


D-18F 3PDT, Center Off, 50 Amps, 115/200 VAC, 400 Hz

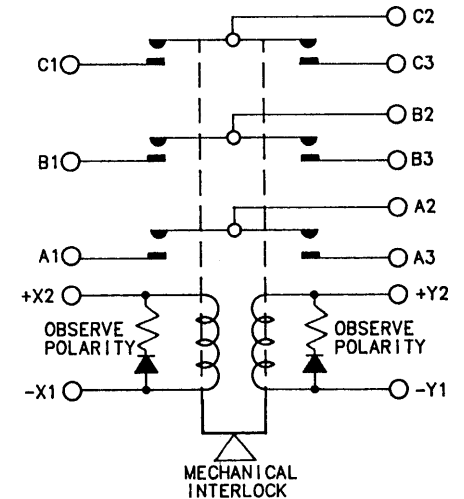


Features:

- 3PDT Center Off Main Contacts
- Transient Suppression
- Mechanically Interlocked
- 115/200 VAC, 400 Hz
- 50 Amps
- High Reliability
- Meets many requirements of MIL-R-6106



CONTACTOR CONFIGURATION



Dimensions for this product are expressed in inches. Multiply values by 25.4 for millimeters.

PRODUCT SPECIFICATIONS

Construction	Gasket Sealed, Vented
Main Contacts:	
Configuration	3PDT Center Off
Voltage (Nominal)	115/200 VAC, 400 Hz
Current (Resistive)	50 Amps
Coil Data:	
Duty Cycle	Continuous
Voltage (Nominal)	28 VDC
Pick-Up Voltage	18 VDC Maximum
Drop-Out Voltage	1.5 - 7 VDC
Coil Current @ 28 VDC & +25°C	180 Milliampers Maximum
Operating Temperature	-55°C to +71°C
Life:	
Electrical	50,000 Cycles
Mechanical	100,000 Cycles
Weight Maximum	15 Oz.

Notes:

For factory-direct application assistance, contact the HARTMAN product team at (419) 521-9500, Fax (419) 526-2749.

© 2004 by Tyco Electronics Corporation. All Rights Reserved. HARTMAN and TYCO are trademarks.