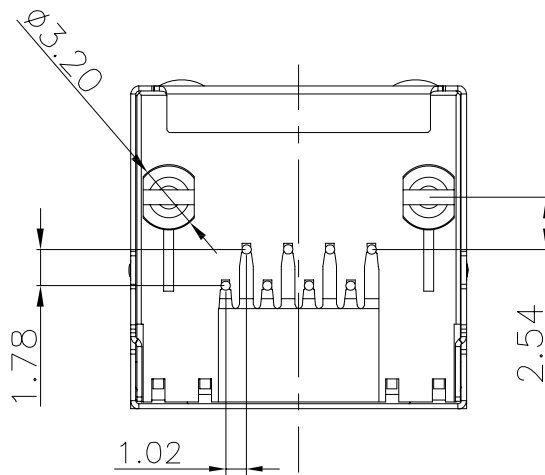
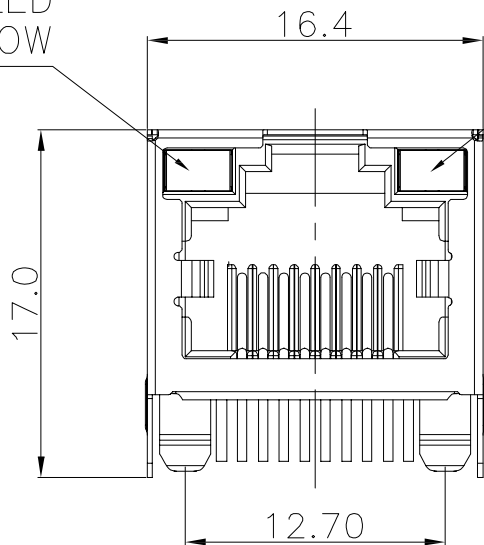


L LED
YELLOW

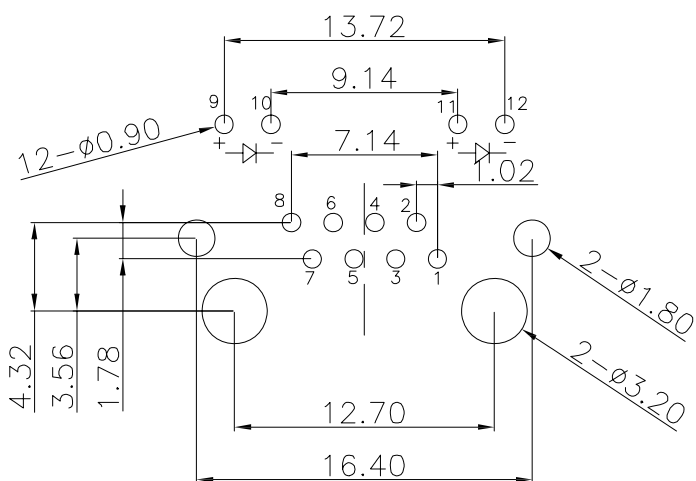
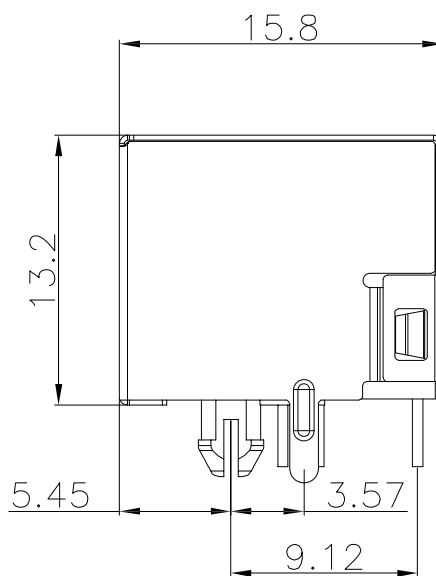
R LED
GREEN



备注

电气性能
接触阻抗: 50毫欧 (最大)
绝缘阻抗: 500兆欧 (最小)
耐电压: 1000V AC 一分钟

材料
胶芯: LCP
端子: 磷铜金线
外壳: SPCC
电镀: 接触区域镀金0.5 μ" 焊接区域镀锡40 μ"min
外壳: 铁壳镀锡40 μ"min



P.C.B LAYOUT TOP VIEW



深圳市华宇创精密电子有限公司

TOLERANCE: X.X ±0.30 X.XX ±0.25 X.XXX ±0.15 X' ±2' X.X' ±0.5'	DRAWN BY : 陈一鸣	DATE : 2014-02-23	PART NAME: RJ45无弹片左黄右绿LED
	CHECKED BY: 马跃	DATE : 2014-02-23	PART NO. HYCW16-RJ45-164B
UNIT: mm [inch] SCALE:1:1 SIZE: A4	APPROVED BY:	DATE : 2014-02-23	DRAW NO: HYC-RJ12386521
			SHEET NO. 1 OF 1