

PLEASE CHECK WWW.MOLEX.COM FOR LATEST PART INFORMATION

Part Number: [0355330226](#)
Status: **Active**
Description: PT Bulb Socket Single Housing Assembly, Type C, Unsealed, White

Documents:

[3D Model](#) [Product Specification PS-35532-001 \(PDF\)](#)
[Drawing \(PDF\)](#) [RoHS Certificate of Compliance \(PDF\)](#)

General

Product Family	Other Sockets
Series	35533
Comments	C-Type
Component Type	Socket
Product Name	Bulb Socket

Physical

Circuits (Loaded)	0
Circuits (maximum)	2
Color - Resin	White
Durability (mating cycles max)	50
Entry Angle	Vertical
Keying to Mating Part	None
Material - Resin	Nylon
PCB Locator	No
PCB Retention	N/A
Packaging Type	Bag
Pitch - Mating Interface (in)	0.000 In
Pitch - Mating Interface (mm)	0.00 mm
Temperature Range - Operating	-40°C to +105°C

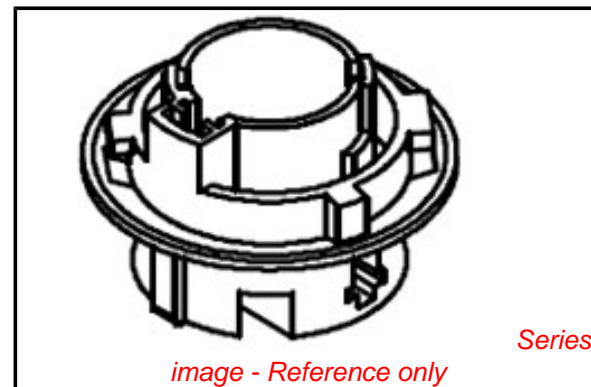
Electrical

Current - Maximum per Contact	7A
Voltage - Maximum	300V AC (RMS)/DC

Material Info

Reference - Drawing Numbers

Product Specification	PS-35532-001
Sales Drawing	SD-35533-003



EU RoHS

**ELV and RoHS
Compliant**
REACH SVHC
 Not Reviewed
**Halogen-Free
Status**

China RoHS



**Need more information on product
environmental compliance?**

Email productcompliance@molex.com
 For a multiple part number RoHS Certificate of
 Compliance, [click here](#)

Please visit the [Contact Us](#) section for any
 non-product compliance questions.

Search Parts in this Series

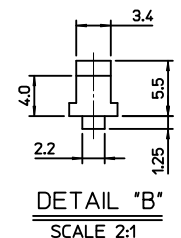
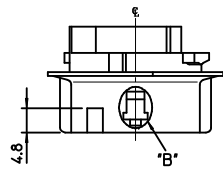
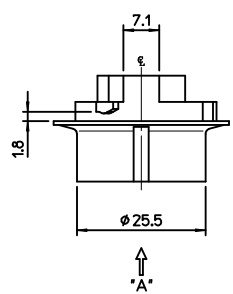
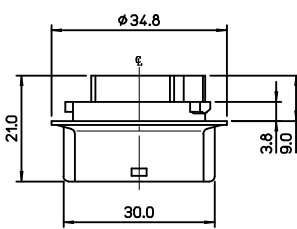
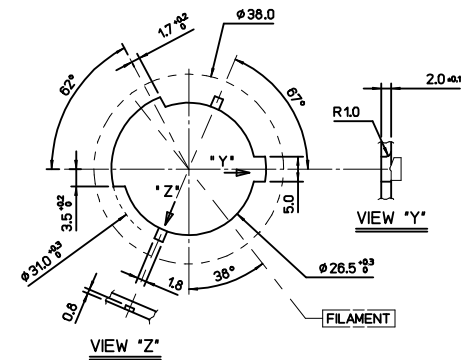
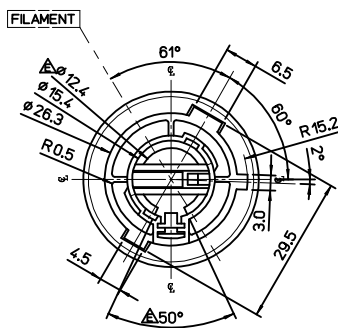
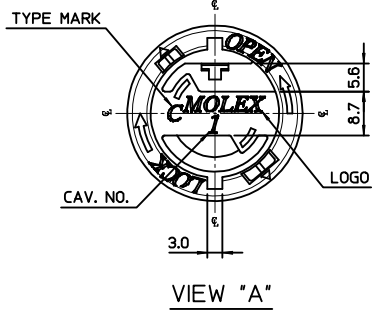
[35533Series](#)

Mates With

Lamp

Use With

[35438](#) Positive Terminal, [35439](#) Earth
 Terminal



- NOTES
1. FOCAL LENGTH = 31.8mm
 2. APPLICABLE BULB CAP: P21W(BA15s)
 3. MATES WITH

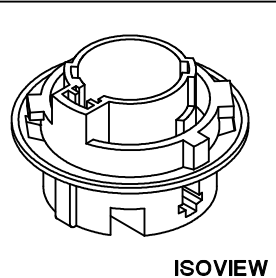
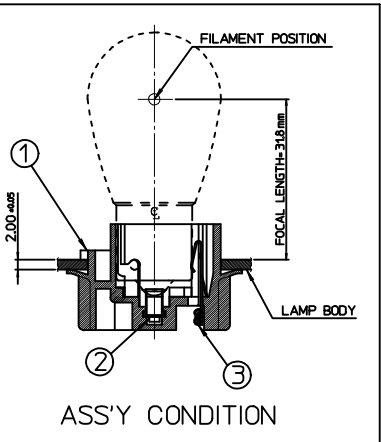
NO.	DESCRIPTION	MATERIAL	ORDER NO.	REMARK
②	POSITIVE TERMINAL	PHOSPHOR BRONZE	35438-8000	UNPLATED
③	EARTH TERMINAL	PHOSPHOR BRONZE	35439-8000	UNPLATED

<PART LIST>

NO.	DESCRIPTION	MATERIAL	USAGE	REMARK
①	SINGLE SOCKET	PA66 M/F	1	C TYPE

<TABLE 1>

MATERIAL NO.	ORDER NO.	COLOR
355330221	35533-0221	BLACK
355330224	35533-0224	BLUE
355330225	35533-0225	GRAY
355330226	35533-0226	WHITE



CHANGED OF NOTES
 EC NO: KOR2010-0023
 DRW: KIM 2009/08/18
 CHK: B. YOON 2009/08/19
 APPR: YUN, SIKKIM 2009/08/20

QUALITY SYMBOLS	DESCRIPTION
▽=0	
∇=0	

GENERAL TOLERANCES (UNLESS SPECIFIED)	
mm	INCH
4 PLACES ± ---	± ---
3 PLACES ± ---	± ---
2 PLACES ± 0.2	± ---
1 PLACE ± 0.3	± ---
ANGULAR ± 3 °	

DIMENSION STYLE	
MM ONLY	
DRAWN BY	DATE
JSKANG	1998/01/31
CHECKED BY	DATE
BKCHOI	1998/01/31
APPROVED BY	DATE
CWLEE	1998/01/31

SCALE		DESIGN UNITS		THIRD ANGLE PROJECTION	
1:1		METRIC			
TITLE					
NON-SEALED BULB SOCKET SINGLE HOUSING ASS'Y (C-TYPE)					
MOLEX INCORPORATED					
MATERIAL NO.				DOCUMENT NO.	
SEE TABLE 1				SD-35533-003	
SIZE				SHEET NO.	
A3				1 OF 1	