

PLEASE CHECK WWW.MOLEX.COM FOR LATEST PART INFORMATION

Part Number: [0732540021](#)
Status: **Active**
Overview: [QMA RF Connectors](#)
Description: 50 Ohms, QMA Right-Angle Jack, PCB Mount, One Piece Per Bag

Documents:

[Drawing \(PDF\)](#) [RoHS Certificate of Compliance \(PDF\)](#)

General

Product Family	RF/Coax Connectors
Series	73254
Overview	QMA RF Connectors
Product Name	QMA
Style	PCB
Type	Subminiature
UPC	884982708426
Wire/Cable Type	N/A

Physical

Gender	Jack
Keying to Mating Part	None
Orientation	Right Angle
PCB Mounting	Surface Mount
Packaging Type	Bag
Panel Mount	No
Panel Mount Method	N/A
Reverse Polar	No

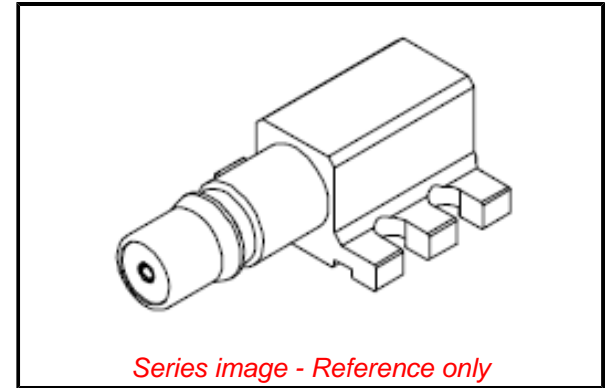
Electrical

Frequency	18 GHz
Impedance	50Ω
Power / Voltage	VOLTAGE: 480 Vrms@Sea Level

Material Info

Reference - Drawing Numbers

Sales Drawing	SD-73254-002
---------------	--------------



Series image - Reference only

EU ELV

Not Reviewed

EU RoHS

Not Reviewed

REACH SVHC

Not Reviewed

Halogen-Free

Status

Not Reviewed

For more information, please visit [Contact US](#)

China ROHS

Not Reviewed

ELV

Not Reviewed

RoHS Phthalates

Not Reviewed

Search Parts in this Series

[73254 Series](#)