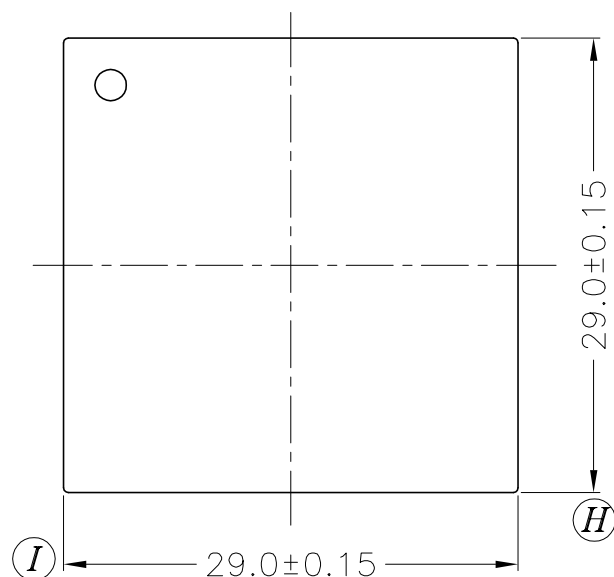
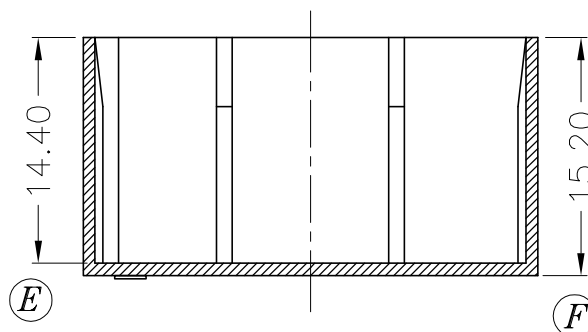
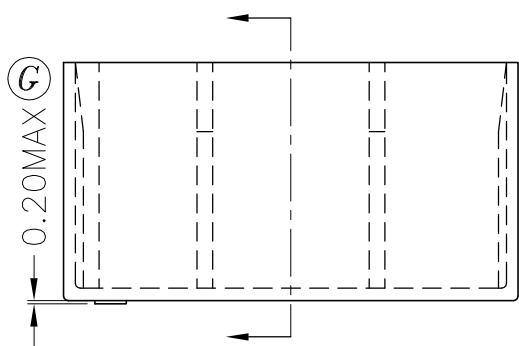
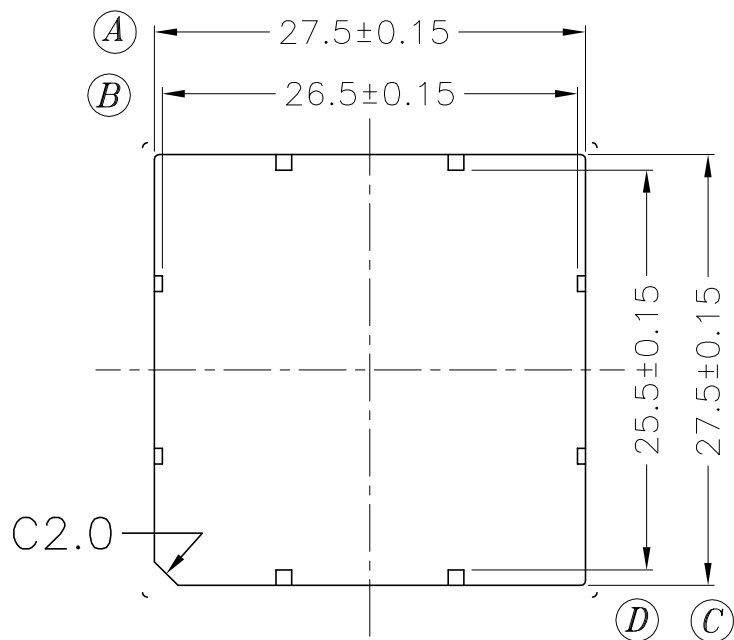


FERYSTER



		TOLERANCES	
BOBBIN MATERIAL:	PA-66 101L	$0 < L \leq 4$	± 0.1 pin pitch
UL REC.	UL 94V-0	$4 < L \leq 16$	± 0.2
		$16 < L \leq 63$	± 0.3