

PLEASE CHECK WWW.MOLEX.COM FOR LATEST PART INFORMATION

Part Number: [0398800419](#)
Status: **Active**
Description: 5.08mm (.200") Pitch Beau™ Eurostyle™ Low Profile, Fixed Block, 35° Wire Entry, Modular, 19 Circuits

Documents:

[3D Model](#) [RoHS Certificate of Compliance \(PDF\)](#)
[Drawing \(PDF\)](#)

Agency Certification

CSA LR25562
 UL E48521

General

Product Family Terminal Blocks
 Series [39880](#)
 Application Wire-to-Board
 Component Type One Piece
 Product Literature Order No USA-260
 Product Name Eurostyle™ Fixed Mount
 Type Euro Block

Physical

Circuits (Loaded) 19
 Entry Angle 35° Angle
 Flammability 94V-0
 Lock to Mating Part None
 Number of Rows 1
 Orientation Vertical
 PC Tail Length (in) 0.150 In
 PC Tail Length (mm) 3.80 mm
 PCB Retention None
 PCB Thickness Recommended (in) 0.102 In
 PCB Thickness Recommended (mm) 2.60 mm
 Panel Mount No
 Pitch - Mating Interface (in) 0.200 In
 Pitch - Mating Interface (mm) 5.08 mm
 Pitch - Term. Interface (in) 0.200 In
 Pitch - Term. Interface (mm) 5.08 mm
 Polarized to Mating Part N/A
 Shrouded Fully
 Stackable Yes
 Temperature Range - Operating 105°C
 Wire Size AWG 12, 14, 16, 18, 20, 22, 24, 26, 28, 30
 Wire Size mm² 0.05 - 2.50

Electrical

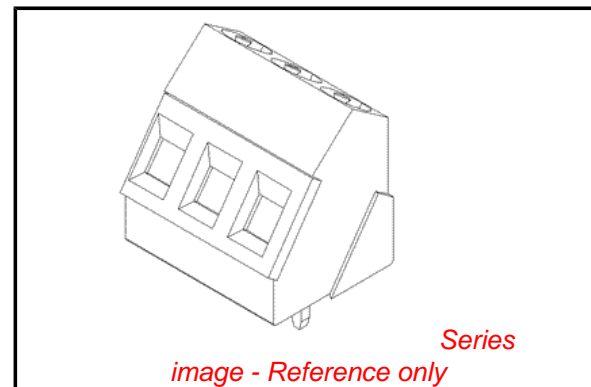
Current - Maximum per Contact 17.5A
 Voltage - Maximum 300V

Material Info

Old Part Number 880219

Reference - Drawing Numbers

Sales Drawing SD-39880-004



EU RoHS

ELV and RoHS Compliant
REACH SVHC
 Not Reviewed
Halogen-Free Status
Not Reviewed

China RoHS



Need more information on product environmental compliance?

Email productcompliance@molex.com
 For a multiple part number RoHS Certificate of Compliance, [click here](#)

Please visit the [Contact Us](#) section for any non-product compliance questions.

Search Parts in this Series

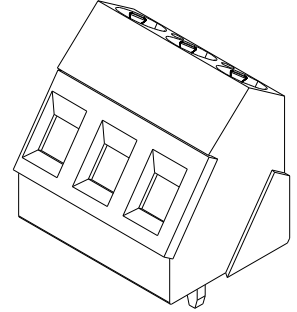
[39880Series](#)

Mates With

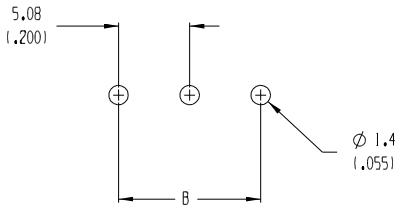
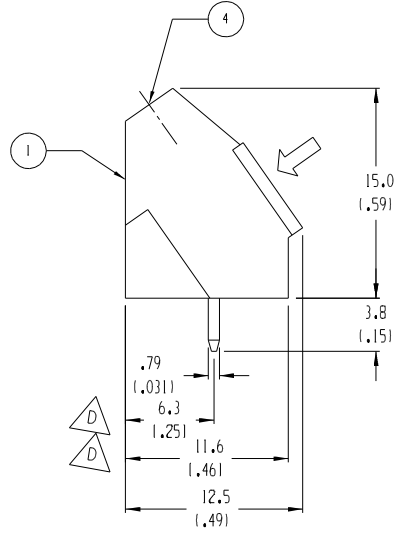
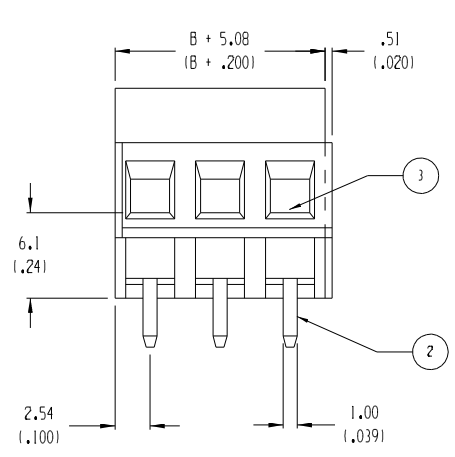
N/A

This document was generated on 04/26/2010

PLEASE CHECK WWW.MOLEX.COM FOR LATEST PART INFORMATION



MATERIAL NO.	NO. OF CIRCUITS	ENG NO. (BEAU NO.)	DIM. "B"	
	"XX"		IN.	MM
39880-04XX	"XX"	8802XX		5.1
39880-0402	02	880202	.20	5.1
39880-0403	03	880203	.40	10.2
39880-0404	04	880204	.60	15.2
39880-0405	05	880205	.80	20.3
39880-0406	06	880206	1.00	25.4
39880-0407	07	880207	1.20	30.5
39880-0408	08	880208	1.40	35.6
39880-0409	09	880209	1.60	40.6
39880-0410	10	880210	1.80	45.7
39880-0411	11	880211	2.00	50.8
39880-0412	12	880212	2.20	55.9
39880-0413	13	880213	2.40	61.0
39880-0414	14	880214	2.60	66.0
39880-0415	15	880215	2.80	71.1
39880-0416	16	880216	3.00	76.2
39880-0417	17	880217	3.20	81.3
39880-0418	18	880218	3.40	86.4
39880-0419	19	880219	3.60	91.4
39880-0420	20	880220	3.80	96.5
39880-0421	21	880221	4.00	101.6
39880-0422	22	880222	4.20	106.7
39880-0423	23	880223	4.40	111.8
39880-0424	24	880224	4.60	116.8
39880-0425	25	880225	4.80	121.9



ITEM	QTY.	DESCRIPTION	MATERIAL	FINISH
4	XX	SCREW, M3	COPPER	NICKEL
3	XX	CAGE CLAMP	COPPER	NICKEL
2	XX	TERMINAL, PC	COPPER	HOT TIN DIP
1	1	INSULATOR	POLYAMIDE	BLACK

EC NO. ECN# 3883
 DRWN: RK 10-20-04
 CH'K:
 APPR:

DESCRIPTION

MAJOR

CRITICAL

SPC

S

REV

QUALITY SYMBOLS	
MAJOR	CRITICAL
SPC	S

GENERAL TOLERANCES: (UNLESS SPECIFIED)	
mm	INCH
4 PLACES	±.0015
3 PLACES	±.038 ±.005
2 PLACES	±.13 ±.01
1 PLACE	±.3
ANGULAR: ±2°	

SCALE	
3:1	DESIGN UNITS
	<input type="checkbox"/> mm <input checked="" type="checkbox"/> INCH
DRAWN BY & DATE	
R. KEMP	6-3-02
CHECKED BY & DATE	
R. STONE	6-3-02
APPROVED BY & DATE	
P. WALTZ	6-3-02

PROJECT NO. 04-124	
DIMENSIONS:	
<input checked="" type="checkbox"/> mm	<input type="checkbox"/> INCH
<input type="checkbox"/> mm ONLY	
SHT	REV
	REVISE ON CAD ONLY

TITLE: 5.08mm EUROSTYLE MEDIUM,
 SINGLE ROW, 35° ANGLED ENTRY

MOLEX INCORPORATED		
MATERIAL NO.	DRAWING NO.	SHEET NO.
SEE CHART	SD-39880-004	1 OF 1

THIS DRAWING CONTAINS INFORMATION THAT IS PROPRIETARY TO MOLEX INCORPORATED AND SHOULD NOT BE USED WITHOUT WRITTEN PERMISSION.

