

65 KBW

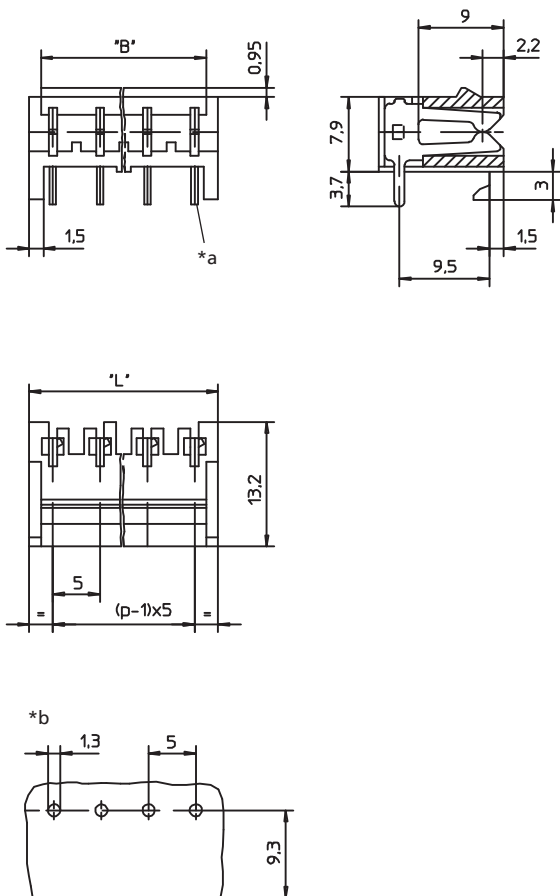
Pluggable screw terminal blocks on socket boards, pitch 5.0 mm



Socket board, angular, solder pins single row, with retaining hooks for printed circuit board edge, consecutive placement without loss of pitch

Approvals:  

65 KBW



- *a bore hole of printed circuit board \varnothing 1.3 mm
*b printed circuit board layout, solder side view

Environmental conditions

Temperature range -25 °C/+100 °C

Materials

Insulating body PA, V-2 according to UL94
Contact spring CuSn, pre-nickel and tin-plated



Mechanical data

Insertion force/contact \leq 2,5 N
Withdrawal force/contact \geq 1,5 N

Electrical data (at T_{amb} 20 °C)

Rated current 10 A
Rated voltage 250 V AC
Rated impulse voltage 3 kV/60 s
Tracking resistance CTI 600
Creepage distance \geq 4,0 mm
Clearance \geq 4,0 mm

Associated products

Counterparts
 KS  KSC

65 KBW

Designation	Pole Number	PU (Pieces)	MDQ (Pieces)	Dimensions	
				B (mm)	L (mm)
KBW 02	2	200	2000	7.5	10
KBW 03	3	200	2000	12.5	15
KBW 04	4	200	2000	17.5	20
KBW 05	5	200	2000	22.5	25
KBW 06	6	200	2000	27.5	30
KBW 07	7	200	2000	32.5	35
KBW 08	8	200	2000	37.5	40
KBW 09	9	200	2000	42.5	45
KBW 10	10	200	2000	47.5	50

Packaging:

in bulk, in a cardboard box