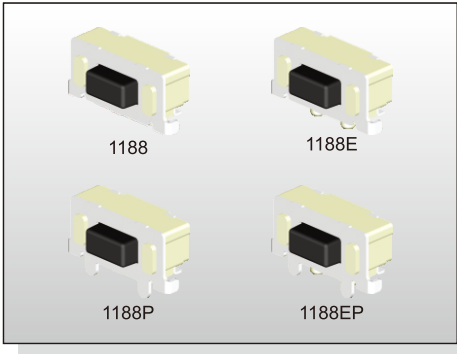


TACT SWITCH
1188 SERIES

3.5x7
SMT & Side Push Type



FEATURES

- ※Side actuated
- ※Support / Ground pins options
- ※High solder strength

APPLICATION

- ※Audio, OA equipment
- ※Instrumentation
- ※Remote control

SPECIFICATION

Contact Rating	50mA, 12V DC
Contact Resistance	100mΩ max.
Insulation Resistance	100MΩ min. 500V DC
Dielectric Strength	250V AC/1 minute
Operating Force	160±50gf/260±50gf
Travel	0.25mm
Operating Life	30,000 cycles for 260gf 50,000 cycles for 160gf
Operating Temp.	-25°C ~ +70°C
Storage Temp.	-40°C ~ +80°C

HOW TO ORDER

1 1 8 8 - 1 □ □ □ - □ □ □

□=Without Post
E=Base with Post
P=Cover with Support Terminal
EP=Base+Cover with Post & Support Terminal

Stem

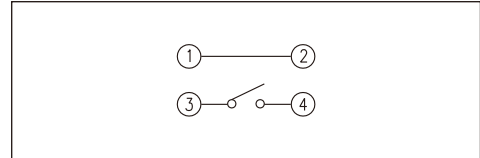
Package:
T/R=Tape & Reel

V=RoHS & Lead Free Solderable
Q=Halogen Free

Operating Force:
2=160gf
3=260gf

K=Black
W=White

CIRCUIT

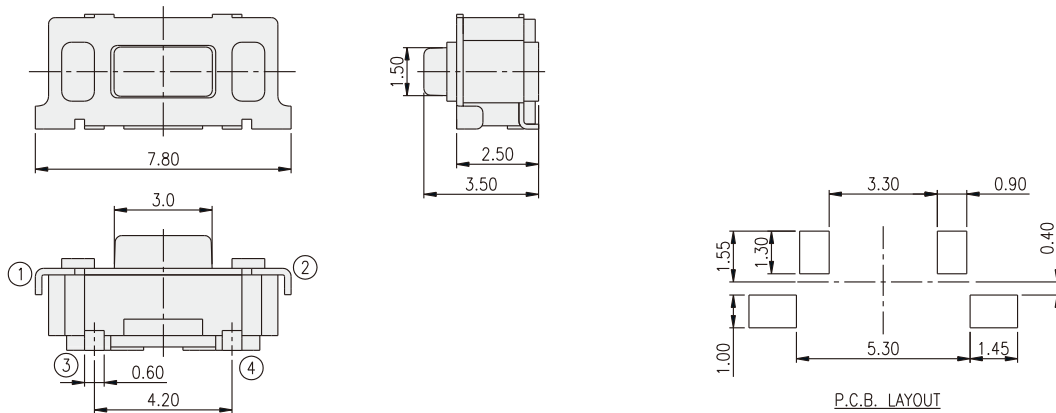


PACKAGE

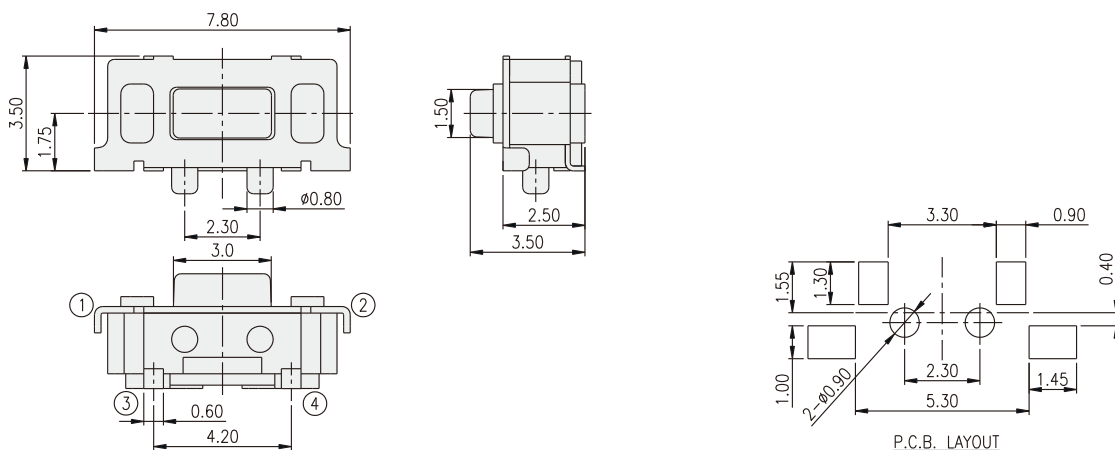
<Tape & Reel>
1500 pcs

TACT SWITCH

1188



1188E

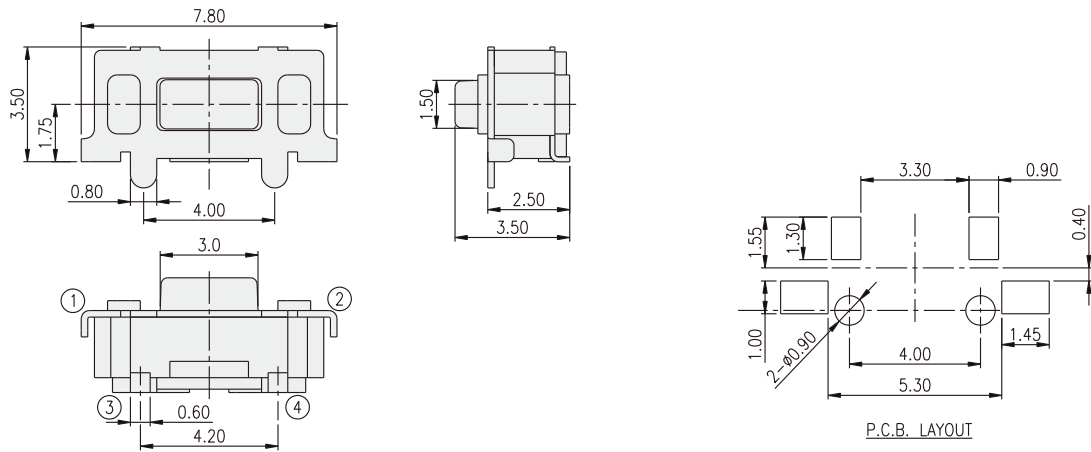


TACT SWITCH
1188 SERIES

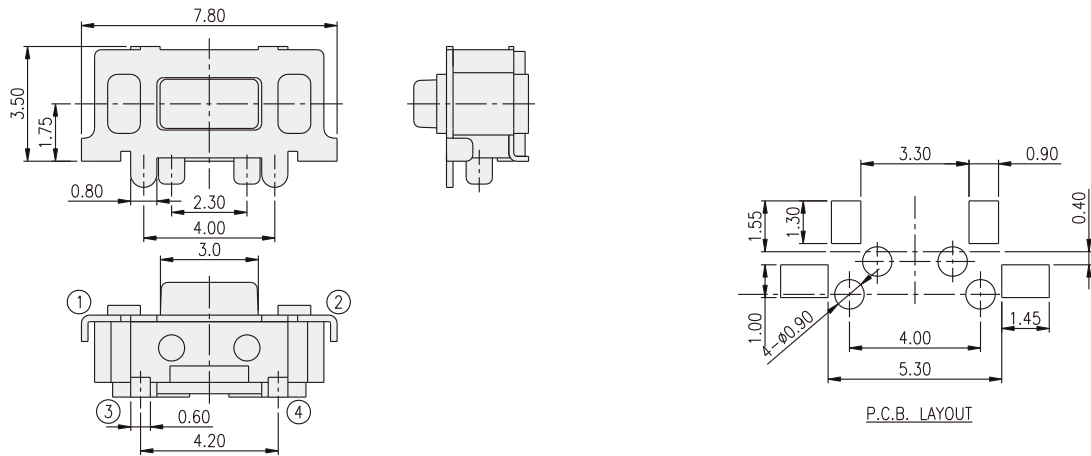
3.5x7
SMT & Side Push Type



1188P



1188EP



TACT SWITCH