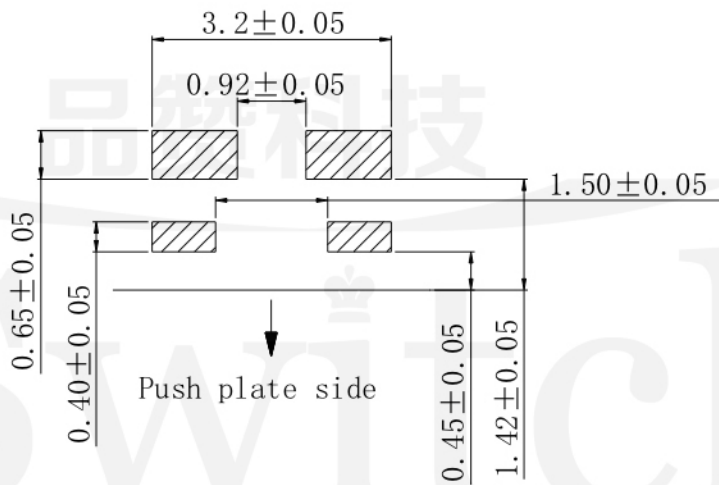
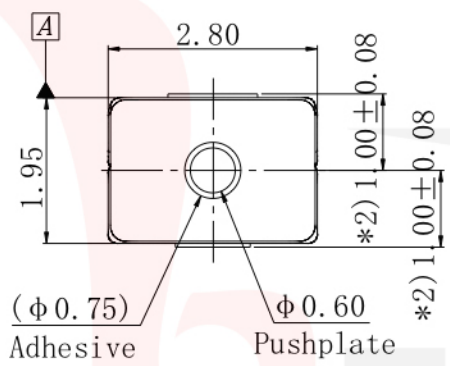


GT-TC035X-HXXXX-LX



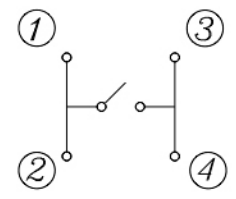
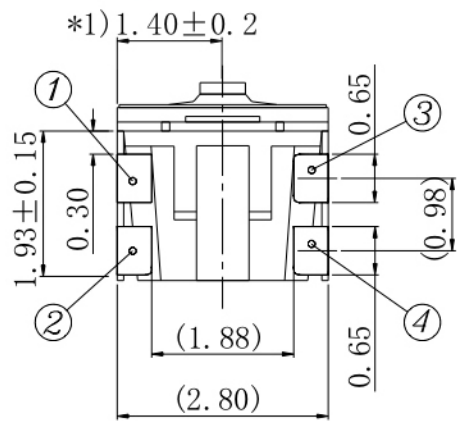
PWB land pattern for reference

G-SWITCH

Operating Force
A=160gf

Switch Height(mm)
H0195=1.95mm

Switch lifetime (Force)
L3=300,000 Cycles



Circuit Diagram



G-Switch Specification:

Operating temperature range : -30°Cto+85°C
 Rating : 50mA.12V DC
 Insulation resistance : 100MΩ min.100V DC
 Dielectric strength : 250V AC for 1 min
 Contact resistance : 100m Ω max.
 Travel:0.13±0.05mm

	G-Switch Electronic (HongKong) CO.,Ltd.		
	DESIGN FengFengChen CHECKED APPROVED http://www.dg-switch.com TEL:0769-82388879	DATE 2019.05.29 DATE DATE	Molde code: GT-TC035X-HXXXX-LX REV.: X1 SCALE: 4:1 UNIT: mm SIZE: A4 SHEET: 1/1