

35 AMP SOFT RECOVERY FAST SWITCHING LEAD MOUNT BUTTON DIODES

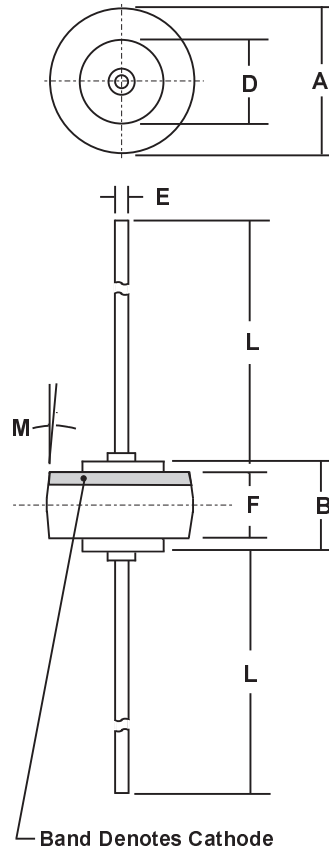
FEATURES

- IDEALLY SUITED FOR ELECTRIC VEHICLE MOTOR CONTROL APPLICATIONS
- HIGH FREQUENCY: 250 kHz
FAST RECOVERY: Typical 100nS - 150nS
- UNMATCHED PERFORMANCE - Minimal RFI/EMI, Reduced Power Losses, Extremely Cool Operation Increased Power Supply Efficiency
- VOID FREE Vacuum Die Soldering For Maximum Mechanical Strength And Heat Dissipation (Solder Voids: Typical < 2%, Max. < 10% of Die Area)
- Glass Passivated Die For Superior Reliability and Performance
- Wide Range of Applications: Motor Speed Controllers, Inverters, Converters, Choppers, Power Supplies, etc.

MECHANICAL DATA

- Case: Molded Epoxy (UL Flammability Rating 94V-O)
- Finish: All external surfaces are corrosion resistant and the contact areas are readily solderable
- Maximum Lead Soldering Temperature: 220 °C, 3/8" from case for 10 seconds at 5 lbs tension
- Mounting Position: Any
- Polarity: Color band or diode symbol on case
- Weight: 0.09 Ounces (2.6 Grams)

MECHANICAL SPECIFICATION



DIM	MILLIMETERS		INCHES	
	MIN	MAX	MIN	MAX
A	8.43	8.69	0.332	0.342
B	5.94	6.25	0.234	0.246
D	5.46	5.71	0.215	0.225
E	1.27	1.35	0.050	0.053
F	4.19	4.45	0.165	0.175
L	25.15	25.65	0.990	1.010
M	5° NOM		5° NOM	

DIE SIZE: 0.180" x 0.180"
SQUARE GPP DIE

RoHS COMPLIANT

MAXIMUM RATINGS & ELECTRICAL CHARACTERISTICS

Ratings at 25 °C ambient temperature unless otherwise specified.

PARAMETER (TEST CONDITIONS)	SYMBOL	RATINGS					UNITS
		SRL 3500	SRL 3501	SRL 3502	SRL 3504	SRL 3506	
Series Number							
Maximum DC Blocking Voltage	V _{RM}	50	100	200	400	600	VOLTS
Maximum RMS Voltage	V _{RMS}	35	70	140	280	420	
Maximum Peak Recurrent Reverse Voltage	V _{RRM}	50	100	200	400	600	
Average Forward Rectified Current	I _O	35					AMPS
Peak Forward Surge Current (8.3mS single half sine wave superimposed on rated load)	I _{FSM}	500					
Maximum Forward Voltage at 35 Amps DC	V _{FM}	1.35 (Typical 1.25)					VOLTS
Maximum Average DC Reverse Current @ T _c = 25 °C At Rated DC Blocking Voltage @ T _c = 125 °C	I _{RM}	1.0 50					μA
Typical Thermal Resistance, Junction to Case (Note 1)	R _{θJC}	0.8					°C/W
Junction Operating and Storage Temperature Range	T _J , T _{STG}	-65 to +175					°C

Notes: 1) Both Leads to Heatsink, Equal Length