



Figure 1. Physical Photo

FEATURES

- High Efficiency: $\geq 90\%$
- Maximum Output Current: 2A
- No Heat Sink Required
- Current and Power Programming, Modulation & Monitoring Capabilities.
- Current Output Noise: 0.05%
- High Stability: 100ppm/°C
- Zero EMI
- Compact Size
- DIP Package Available
- 100 % Lead (Pb)-free and RoHS Compliant

APPLICATIONS

DPSSL, EDFA, and instrumentation diode lasers.

DESCRIPTION

There are two versions: the LDA1-CP1-D-SNI and the LDA1-CP1-D-SNO. The former one represents that the external signal synchronizes the signal of the chip, and the latter one is that the signal of the chip synchronizes the external signal.

The LDA1-CP1-D is an electronic module designed for driving diode lasers (P type) with well controlled and monitored driving current and output laser power. Its PWM (Pulse Width Modulation) output stage achieves $\geq 90\%$ high power efficiency, eliminating the need for a heat sink. The output current and laser power can be set linearly by two

separate input voltages and monitored linearly at the same time by two output voltages respectively. It comes with a high stability low noise 2.5V reference voltage which can be used for setting the output current and as voltage references for external ADCs and DACs.

LDA1-CP1-D is packaged in a 6 sided metal enclosure, which blocks EMIs (Electro-Magnetic Interferences) to prevent the controller and other electronics from interfering each other.

The LDA1-CP1-D physical photo is shown in Figure 1. Figure 2 is the actual size top view of the LDA1-CP1-D, which shows the pin names and locations. Its thickness is 4.6mm. The LDA1-CP1-D pin functions are shown in table 1.

Warning: This module can only be soldered manually onto the PCB by a solder iron at $< 310^{\circ}\text{C}$ (590°F), it cannot go through the reflow or wave soldering processes.

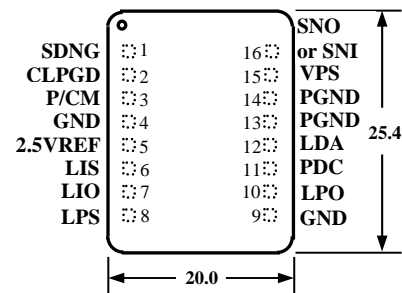


Figure 2. Pin Names and Locations of LDA1-CP1-D-SNO and the LDA1-CP1-D-SNI.

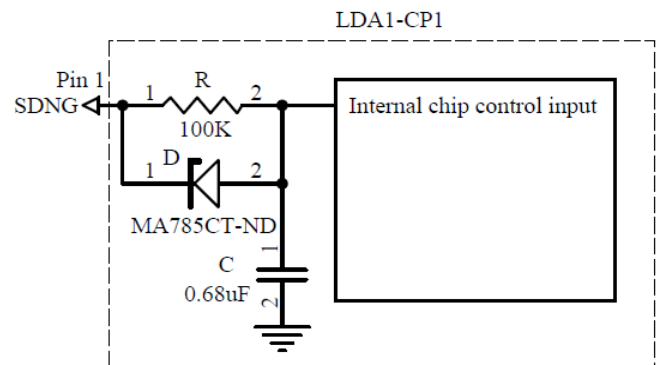


Figure 3. Internal Shut down Circuit

Table 1. Pin Function Descriptions

Pin #	Pin Name	Pin Type	Description
1	SDNG	Digital input	Shut down control. Negative logic, at the internal chip control input: $>2.3\text{V}$ = enable, $<0.5\text{V}$ = shut down, normal threshold voltage = 1.2V. Its internal circuit is shown in Figure 3 above. The diode is for shortening the shut down time.
2	CLPGD	Digital output	Control loop good indication. A HI level indicates control loop locked. This pin is an open drain output and pulled up by a 20k resistor to VPS.

3	P/CM	Analog output	Power/current mode indication. HI = power mode, LO = current mode. Low output impedance, capable of driving 20mA load.
4	GND	Signal ground	Signal ground pin. Connect ADC and DAC grounds to here.
5	2.5VREF	Analog output	Reference voltage. It is used by the internal DACs as the reference voltage. It can source 3mA max, with 5 μ Vp-p noise @ 0.1 to 10Hz and 25ppm/ $^{\circ}$ C stability max.
6	LIS	Analog input	Laser current set-point voltage. 0V to 2.5V sets the output current from 0 to 2A linearly. The input impedance of this pin is 100k Ω . This pin can be set by an external analog signal source, such as the output of a closed-looped op-amp, POT, or DAC.
7	LIO	Analog output	Laser current output indication. 0V to 2.5V indicates the laser current of from 0A to 2A linearly.
8	LPS	Analog input	Laser power set-point voltage. 0V to 2.5V sets the laser output power from 0 to the maximum value linearly. The input impedance of this pin is 100k Ω . This pin can be set by an external analog signal source, such as the output of a closed-looped op-amp, POT, or DAC.
9	GND	Signal ground	The same as Pin 4
10	LPO	Analog output	Laser power output voltage. Low impedance output. This is the output of the TIA (Trans-Impedance Amplifier) for the photodiode in the laser. The trans-impedance is set by an external resistor between LPO pin and PDC (pin 11). See the schematic in Figure 5 or Figure 6.
11	PDC	Analog input	Photodiode cathode. This is the negative input of the TIA. See Pin 10 description and Figure 5 or Figure 6 for the usage of this pin. If the PD's capacitance exceeds 10pF, put a capacitor of about the same value in parallel with R1 for compensation.
12	LDA	Analog output	Laser diode anode. Connect it to the anode of the laser diode. This pin is used to drive a laser of which the cathode is connected to the case and the case is connected to the ground. See Figure 5 or Figure 6.
13	PGND	Power ground	Power ground pin. Connect it directly to the laser's cathode which is also the case of the laser. See Figure 5 or Figure 6.
14	PGND	Power ground	Power ground pin. Connect it directly to power supply return rail.
15	VPS	Power input	Power supply voltage. The driver works from 3.0V to 6.0V.
16	SNO	Digital output	Synchronization output. This pin outputs a square waveform with a 10k AC output impedance. Its duty cycle equals to LDA/VPS. Measuring this signal can help determine if the output stage is working stably. It can be used to synchronize another switch mode power driver such as for a TEC (Thermo-Electric Cooler) or a power supply so that the other drivers will not interfere with this laser driver by generating a low beating frequency. The default switching frequency is set at 500kHz. In case multiple LDA1-CP1 laser drivers are used within one system and powered by one power supply rail, it's better to use one of the drivers as the master switching frequency setter and the rest of the drivers as the slave driver which follows the master driver for setting the switching frequency. The master driver will be set at slightly higher frequency, 550kHz, the part number will become LDA1-CP1-D-M. The slave drivers will be of the normal laser driver with the default switching frequency of 500kHz and the default part number LDA1-CP1-D, see Figure 4.
17	SNI	Digital input	Synchronization input. This pin is to be used by using an external digital signal to synchronize this laser controller's internal switching frequency of the output PWM power stage, to eliminate beating interferences caused by similar but different switching frequencies of multiple PWM power stages powered by the same power supply rail. This pin has a high DC impedance of > 100k and its AC impedance is of a capacitor of < 5 pF.

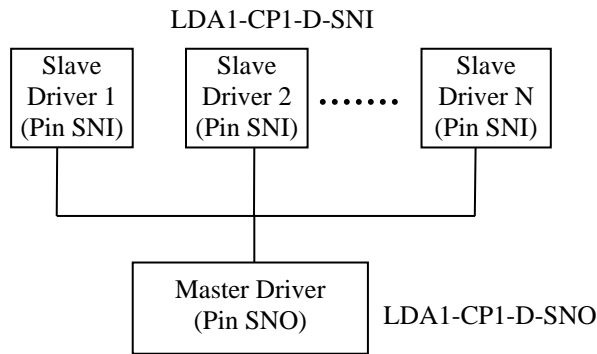


Figure 4. Schematic for Applications Using Multiple Drivers

As is shown in Figure 4, use one driver, LDA1-CP1-D-SNO, as the master switching frequency setter and the rest of the drivers, LDA1-CP1-D-SNI, as the slave driver which follows the master driver for setting the switching frequency. The master driver will be set at slightly higher frequency, 550kHz, the part number will become LDA1-CP1-D-M. The slave drivers will be of the normal laser driver with the default switching frequency of 500kHz and the default part number LDA1-CP1-D.

Note: A socket strip can be used for mounting this TEC controller. More detail technical data about this socket can be found here:

<http://www.digikey.com/product-detail/en/SS-132-G-2/SAM1115-32-ND/1105559>

CALIBRATE THE TIA TRANS-IMPEDANCE

Since the relationship between the output current of the PD (Photo Diode) inside the laser and the output laser power varies greatly from different laser diodes, the trans-

impedance of the TIA needs to be calibrated to match the laser diode's need.

The calibration procedure is as follows:

Read the laser diode datasheet carefully. According to the laser power needed, find the corresponding current at room temperature. Let's call it Normal Operating Current, NOC.

Set the laser driver to output 1.2 times the NOC (See the description about LIS (pin 6)). For example, if 200mA NOC is needed for outputting a desired laser power of 100mW, set the laser driver to output 240mA current, i.e., set

$$V_{LIS} (V) = 2.5 (V) \times 0.24 (A) / 2 (A) = 0.3 (V).$$

SPECIFICATIONS

Table 2. Characteristics ($T_{\text{ambient}} = 25^{\circ}\text{C}$)

Parameter	Value	Unit/Note
Maximum output current	2	A
Maximum output voltage on LDA	$0.9 \times V_{VPS}$	V
Laser current and power indication voltage	0 ~ 2.5	V
Laser current indication absolute accuracy	$\pm 0.5\%$	-
Laser current set-point voltage	0 ~ 2.5	V
Laser power set-point voltage	0 ~ 2.5	V
Laser driver efficiency	$\geq 90\%$	-
Current output noise	0.05%	RMS@2A
PWM frequency	500	kHz
Power supply input voltage	3.0 ~ 6.0	V
Output reference voltage	2.5	V
Operating temperature	-40 ~ 85	$^{\circ}\text{C}$
Rise and fall times	20	μS

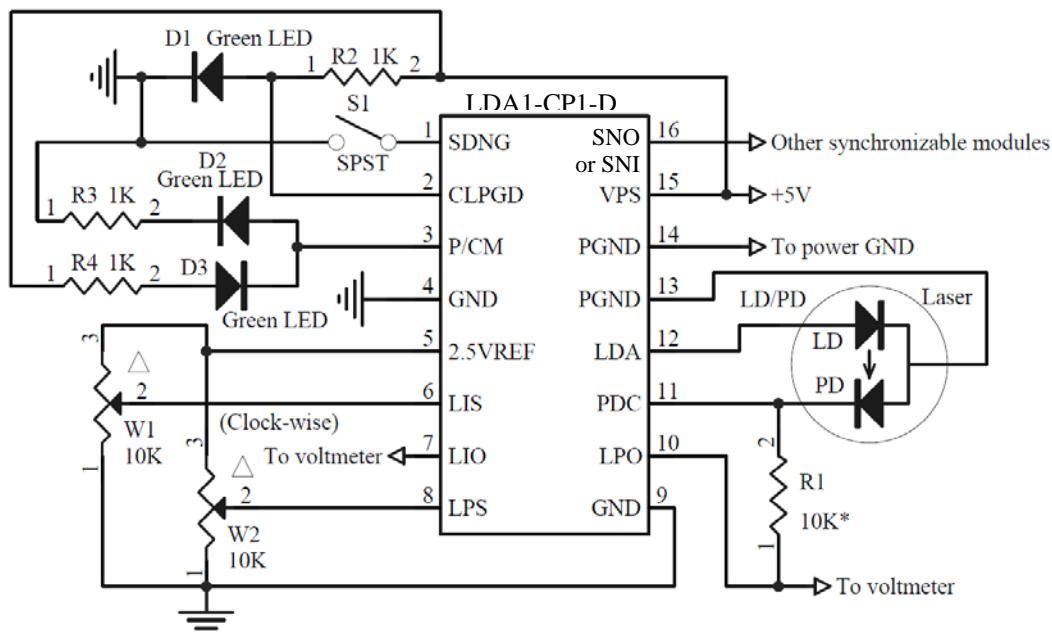


Figure 5. A Typical Self-contained Application Schematic

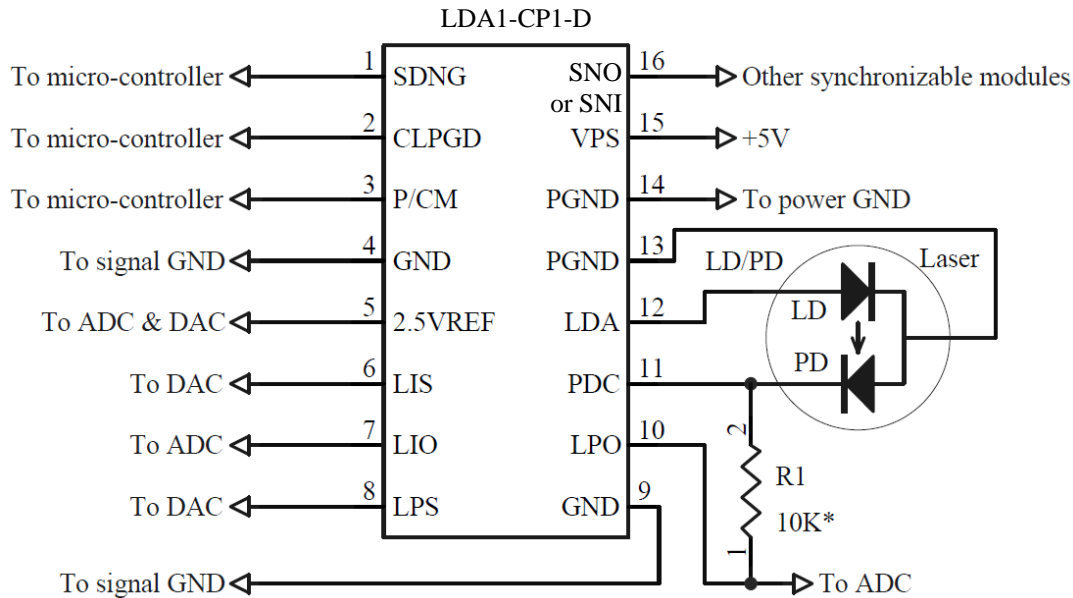


Figure 6. A Typical Micro-processor Based Application

Connect LPS to the 2.5V reference (pin 5), or turn the POT W2 all way up, see Figure 5. Adjust R1 slowly till the mode monitor pin is pulled up, indicating a constant power mode, and the LIO pin indicating the output current equals the normal operating current, i.e.:

$$V_{LIO} \text{ (V)} = 2.5 \text{ (V)} \times 0.2 \text{ (A)} / 2 \text{ (A)} = 0.25 \text{ (V)}$$

If you have an optical power meter, check the output power if see if it matches the desired the power. If not, adjust R1 till the output laser power equals the desired value. Measure of the output current after this step, set the protection current to 1.2 times of this current, i.e., set

$$V_{LIS} = 1.2 \times V_{LIO}$$

when the laser is outputting the desired power. The laser is now operating at a constant power mode. When the temperature changes for too much, after years' operation, or by some fault, the laser may be turned to current mode. Even at that time, the laser will at most be receiving 1.2 times the NOC, which will not damage the laser.

MODE SETTING

A. Set the driver to constant current mode without over power protection

In this mode, the laser is always operating at constant current mode.

1. Set

$$V_{LIS} \text{ (V)} = 2.5 \text{ (V)} \times I_{LASER} \text{ (A)} / 2.0 \text{ (A)},$$

where I_{LASER} is the set-point laser current.

2. Make sure that LPS is higher than LPO. This can be done by connecting LPS (pin 8) to the voltage

Figure 7 shows the voltage relations between pin VPS and LDA.

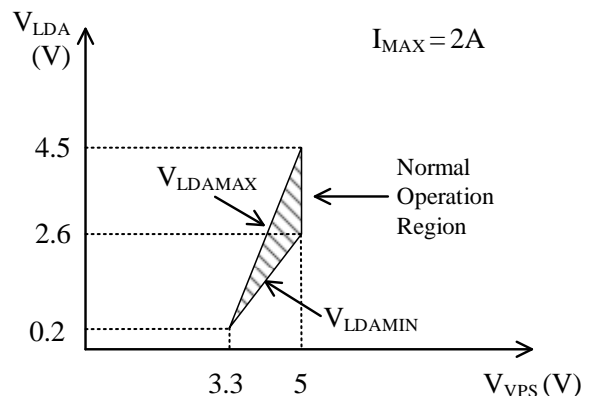


Figure 7. V_{VPS} & V_{LDA}

reference 2.5V, pin 5, and PDC (pin 11) to LPO (pin 10).

B. Set the driver to constant current mode with over power protection

In this mode, the laser is operating at the constant current mode until the laser output power reaches the preset maximum power, the protection power, when this happens, the laser will be operating in a constant power mode.

1. Set

$$V_{LIS} \text{ (V)} = 2.5 \text{ (V)} \times I_{LASER} \text{ (A)} / 2.0 \text{ (A)},$$

where I_{LASER} is the set-point laser current.

- Set LPS to the voltage generated at the LPO pin by the internal TIA when the laser is outputting the protection power level. The TIA converts the current of the power-sensing PD (Photo Diode) into a voltage, with the gain set by an external resistor connected between the PDC and LPO pins. Make sure that the set-point laser current is at least 5% less than the current needed to generate the protection laser power level.

C. Set the driver to constant power mode with over current protection

In this mode, the laser is always operating in the constant power mode (up to the maximum rated current of 2.0A).

- Connect LIS to 2.5V reference pin.
- Set LPS to the voltage value which is generated at the LPO pin by the internal TIA (Trans-Impedance Amplifier) when the laser is outputting the set-point power. The TIA converts the current of the power-sensing PD (Photo Diode) into a voltage, with the gain set by an external resistor connected between the PDC and LPO pins. Make sure that the laser can output the set-point power by a current of less than 1.90A.

D. Set the driver to constant power mode with over current protection

In this mode, the laser is operating in the constant power mode unless the laser current reaches a predetermined protection current. When the laser reaches the protection current, the laser will be operating in constant current mode.

- Set

$$V_{LIS} (V) = 2.5 (V) \times I_{PROTECT} (A) / 2.0 (A),$$

where $I_{PROTECT}$ is the predetermined protection current.

- Set LPS to the voltage value which is generated at the LPO pin by the internal TIA (Trans-Impedance Amplifier) when the laser is outputting the set-point power. The TIA converts the current of the power-sensing PD (Photo Diode) into a voltage, with the gain set by an external resistor connected between the PDC and LPO pins. Make sure that the laser can output the set-point power by a current of less than 95% of the protection current.

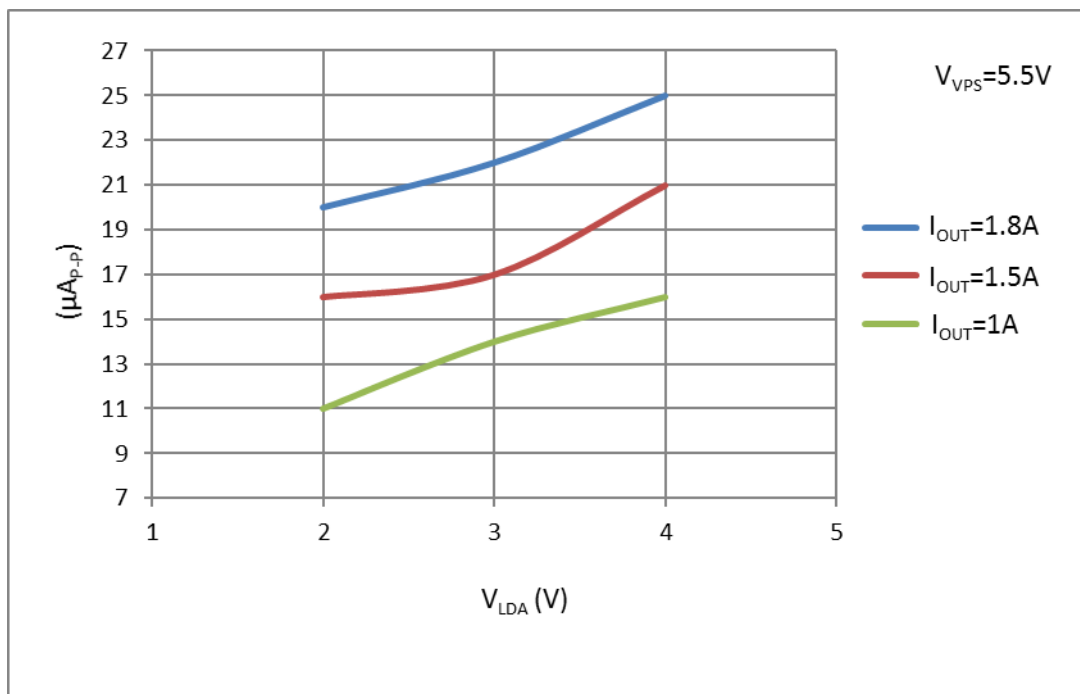


Figure 8. V_{LDA} vs. Output Current Noise@0.1Hz~10Hz

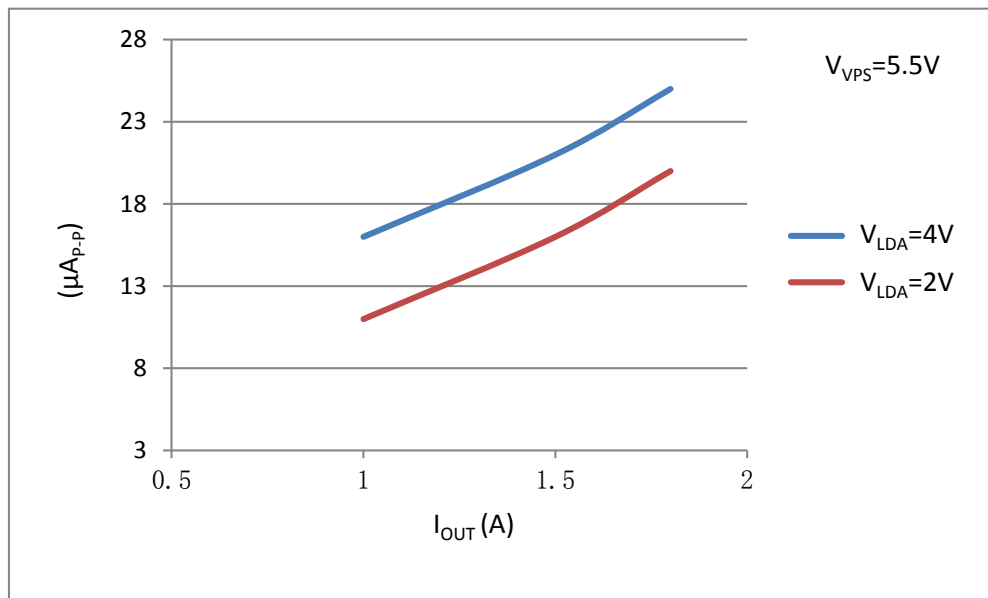


Figure 9. I_{OUT} vs. Output Current Noise@0.1Hz~10Hz

MECHANICAL DIMENSIONS

The driver comes in only one package: through hole mount. It is often called DIP (Dual Inline package) or D (short for DIP) package and has a part number: LDA1-CP1-D. The through hole package can be mounted in a socket, soldered manually, or soldered through the wave soldering process.

Figure 10 shows the top view of LDA1-CP1-D; therefore, it is a “see through” view.

Figure 11 shows the side view of LDA1-CP1-D.

Figure 12 shows the end view of LDA1-CP1-D.

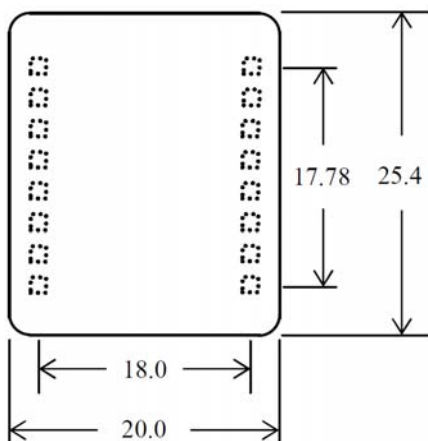


Figure 10. Top View of LDA1-CP1-D

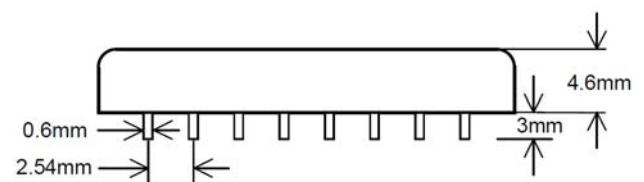


Figure 11. Side View of LDA1-CP1-D

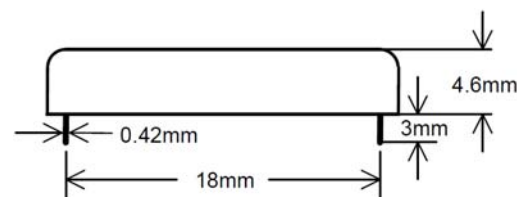


Figure 12. End View of LDA1-CP1-D

WARNING: The controller module can only be soldered manually onto the PCB (Printed Circuit Board) by a solder iron at $< 310^{\circ}\text{C}$ (590°F), it cannot go through the reflow or wave soldering processes.

NOTE: The power supply may have overshoot, when happens, it may exceed the maximum allowed input voltage, 6V, of the controller and damage the controller permanently. To avoid this from happening, do the following:

1. Connect the controller solid well with the power supply before turning on the power.
2. Make sure that the power supply has sufficient output current. It is suggested that the power supply can supply 1.2 to 1.5 times the maximum current the controller requires.
3. When using a bench top power supply, set the current limit to >1.5 times higher than the maximum current the controller requires.

ORDERING INFORMATION

Table 3. Part Number

Part #	Description
LDA1-CP1-D-SNI	The dual mode 2A diode laser controller, in DIP package, is designed for driving P type diode lasers. It can accept an external digital signal for synchronizing the switching frequency of the controller.
LDA1-CP1-D-SNO	The dual mode 2A diode laser controller, in DIP package, is designed for driving P type diode lasers. It provides a digital output signal which can be used by other switch mode TEC controllers or laser controllers as the source signal for synchronizing their internal switching frequencies.

Table 4. Prices

Quantity	1 ~ 9	10 ~ 49	50 ~ 199	200 ~ 499	≥ 500
LDA1-CP1-D-SNI	\$96.6	\$93.5	\$90.3	\$87.2	\$83.0
LDA1-CP1-D-SNO	\$96.6	\$93.5	\$90.3	\$87.2	\$83.0

NOTICE

- ATI warrants performance of its products for one year to the specifications applicable at the time of sale, except for those being damaged by excessive abuse. Products found not meeting the specifications within one year from the date of sale can be exchanged free of charge.
- ATI reserves the right to make changes to its products or to discontinue any product or service without notice, and advise customers to obtain the latest version of relevant information to verify, before placing orders, that information being relied on is current and complete.
- All products are sold subject to the terms and conditions of sale supplied at the time of order acknowledgment, including those pertaining to warranty, patent infringement, and limitation of liability. Testing and other quality control techniques are utilized to the extent ATI deems necessary to support this warranty. Specific testing of all parameters of each device is not necessarily performed, except those mandated by government requirements.
- Customers are responsible for their applications using ATI components. In order to minimize risks associated with the customers' applications, adequate design and operating safeguards must be provided by the customers to minimize inherent or procedural hazards. ATI assumes no liability for applications assistance or customer product design.
- ATI does not warrant or represent that any license, either express or implied, is granted under any patent right, copyright, mask work right, or other intellectual property right of ATI covering or relating to any combination, machine, or process in which such products or services might be or are used. ATI's publication of information regarding any third party's products or services does not constitute ATI's approval, warranty or endorsement thereof.
- IP (Intellectual Property) Ownership: ATI retains the ownership of full rights for special technologies and/or techniques embedded in its products, the designs for mechanics, optics, plus all modifications, improvements, and inventions made by ATI for its products and/or projects.