

**MATERIAL SPECIFICATIONS:**

Body & Housing: PA, UL-94V-HB / UL-94V-0 rated, color black  
 Contacts: Bronze, Gold plated

**MECHANICAL SPECIFICATIONS:**

Contacts: 8  
 Durability: >5000 mating cycles.  
 Cable Diameter: 2.5 - 8mm  
 Wire gauge: 24AWG max.

**ELECTRICAL SPECIFICATIONS:**

Rated current: 2A per contact  
 Rated voltage: 175V  
 Contact resistance: <15 mohms  
 Rated impulse voltage: 1750V

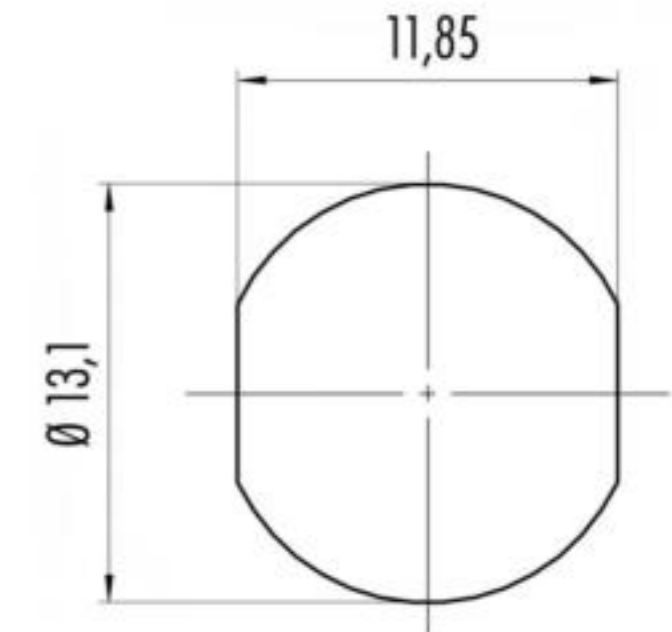
**IEC/UL 61010-1 SPECIFICATIONS:**

Material group: I, II  
 Overload category: II  
 Pollution degree: 2

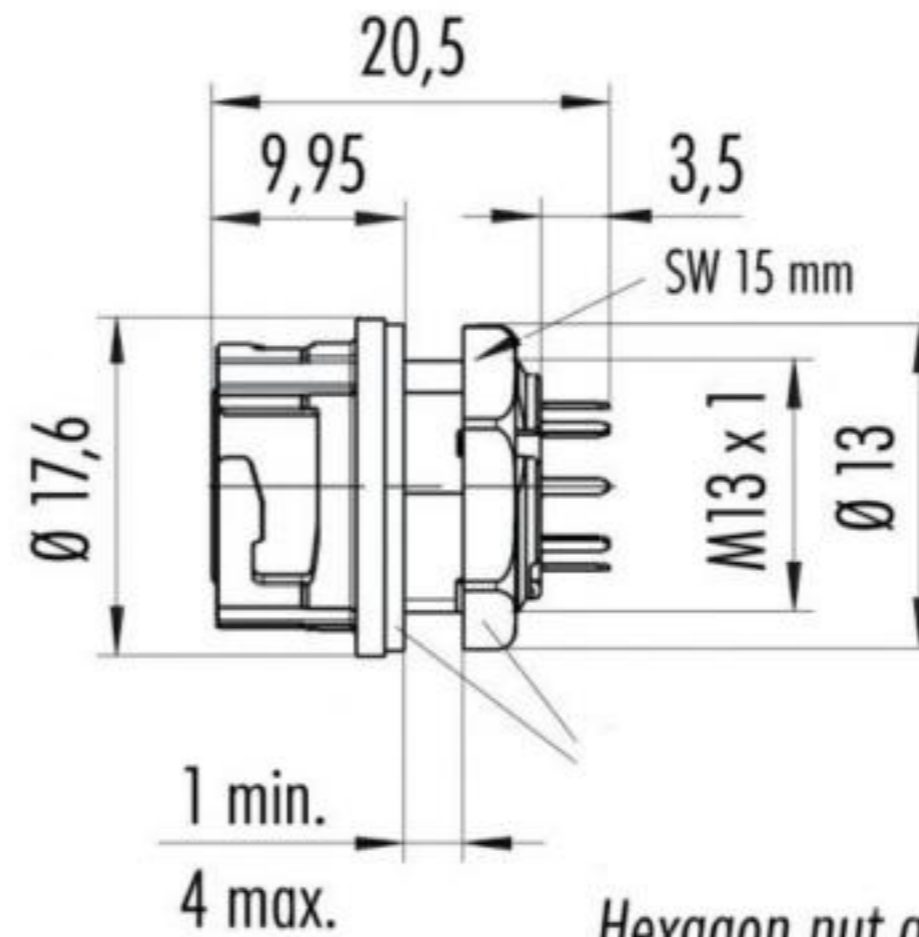
**ENVIRONMENTAL SPECIFICATIONS:**

Degree of Protection: IP67 unmated and mated  
 Operating Temperature: -25°C ~ +85°C

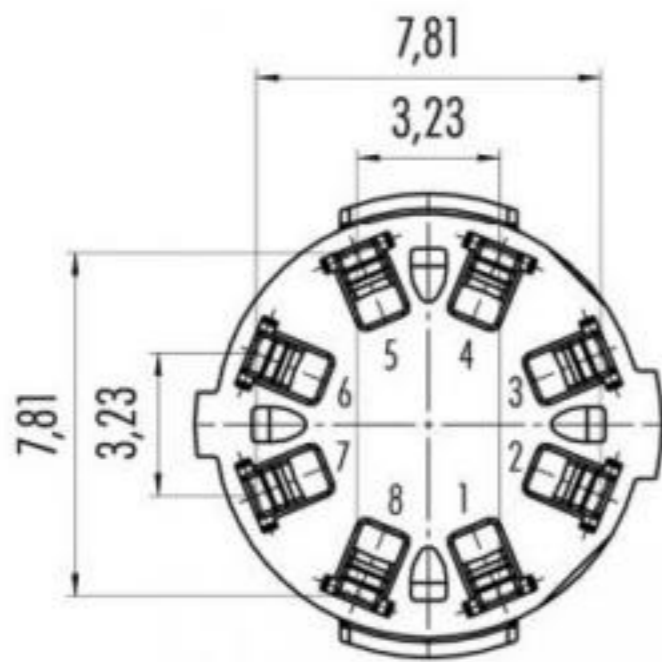
RoHS  
 COMPLIANT



PANEL CUTOUT



Hexagon nut and  
 flat seal enclosed loose



	X	Y
1	1,62	-3,90
2	3,90	-1,62
3	3,90	1,62
4	1,62	3,90
5	-1,62	3,90
6	-3,90	1,62
7	-3,90	-1,62
8	-1,62	-3,90

TOLERANCE UNLESS OTHERWISE SPECIFIED	
X	± 1
X.X	± 0.4
X.XX	± 0.13

DRAWN BY: PB	DATE: 10/27/14
CHECK BY:	DATE:
APPR BY:	DATE:

**Power Dynamics, Inc.**

Phone: 973 560-0019 Whippany, New Jersey Fax: 973 560-0076

PART: HARSH ENVIRONMENT CONNECTOR  
 SERIES 2 FEMALE PANEL MOUNT; PCB PINS

PART #: PD-HEC2-FPC-P	SHEET 1 of 1
SIZE: A	ALL DIMENSIONS FOR REFERENCE ONLY DIMENSIONS ARE IN MILLIMETERS
SCALE: NTS	
REV:	

REV	DATE	CHANGE	CHK	CHK	APPR