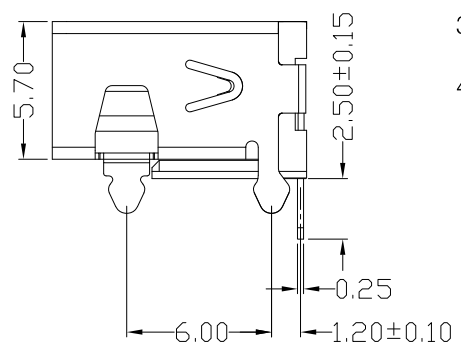
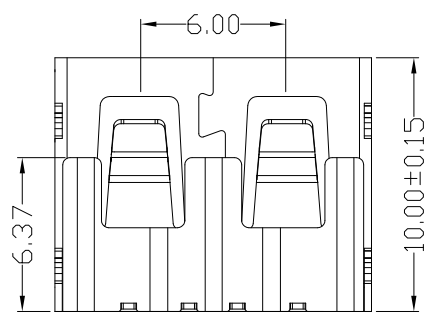
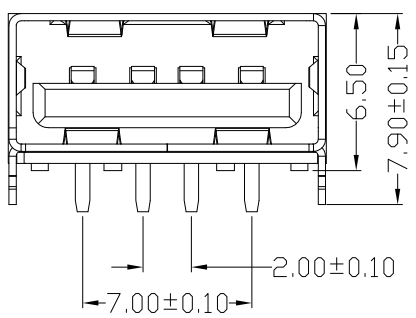
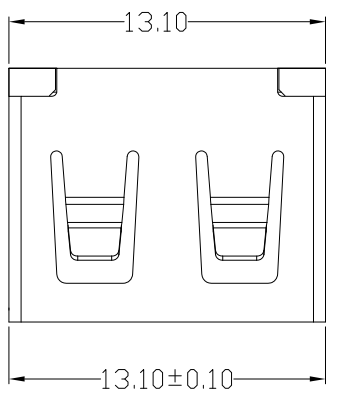


# E 款, 反向10.0四脚, DIP-\*6.50

MAPX	MODIFICATION	DATE

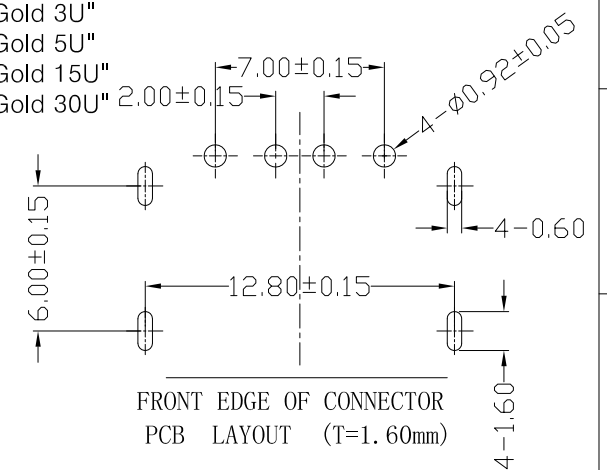


**NOTES:**  
 1.HOUSING: SEE NOTES, UL94V-0 .  
 TERMINAL: SEE NOTES.  
 SHELL: SEE NOTES.

**SPECIFICATION:**  
 1.ELECTRICAL CHARACTERISTIC:  
 CONTACT RESISTANCE: 30MΩ MAX  
 DIELECTRIC WITHSTANDING VOLTAGE: 500V AC FOR 1MIN  
 INSULATION RESISTANCE: 1000MΩ MIN  
 2.MECHANICAL CHARACTERISTIC:  
 INSERTION FORCE: 35N(3.57KGF) MAX  
 EXTRACTION FORCE: 10~35N(1.02~3.57KGF)MIN  
 DURABILITY: 1500 CYCLES EXTRACTION FORCE:10~35N  
 5000 CYCLES MIN  
 5000 CYCLES EXTRACTION FORCE:3~35N

3.ENVIRONMENTAL:  
 OPERATING TEMPERATURE: -55°C+85°C

4.Contact finish:  
 01:Selective Gold Flash  
 02:Selective Gold 3U"  
 03:Selective Gold 5U"  
 04:Selective Gold 15U"  
 05:Selective Gold 30U"



<b>产品图</b> PRODUCT CHART DWG				<b>深圳市精拓金电子有限公司</b>							
公差一览表 TOLERANCE UNLESS OTHERWISE				单位	MM	制图	尹先华	制图料号	913-361B3015D10200		
X.	±0.25	X.	±5°	UNITS		DRAWING		PRODUCT PART NO.			
.X	±0.20	.X	±2°	比例	1:1	审核	郭志富	产品名称	AF10.0E款四脚无边方弹壳反向		
.XX	±0.15	.XX	±1°	SCALE		CHKD		PRODUCT NO.	PBT白胶6.5DIP		
.XXX	±0.10	.XXX	±0.5°	日期	2014.03.24	核准	黄国荣	角法		版本	AD
				DATE		APPD		VIEW		VER	