

1 2 3 4 5 6 7

A

A

B

B

C

C

D

D

E

E

F

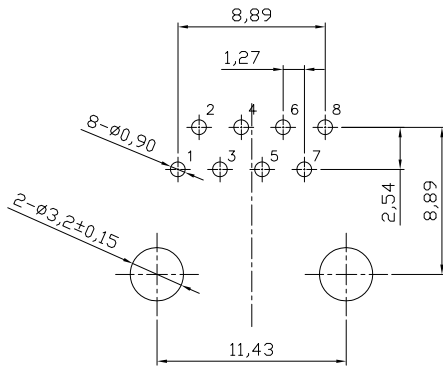
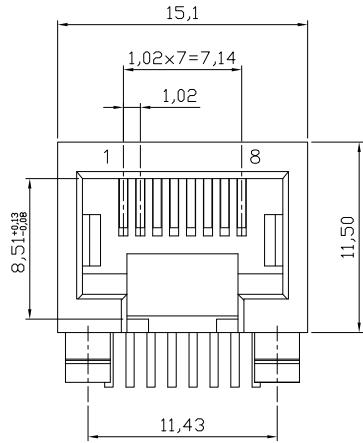
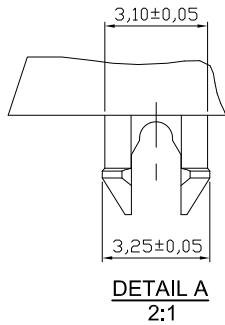
F

G

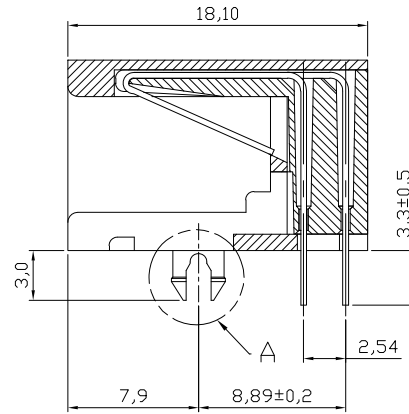
G

H

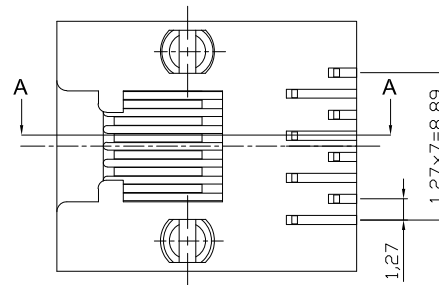
H



PC Board Layout
Component Side Shown



SECTION A-A



NOTES:

Mechanical:

- Housing material : Glass Filled Polyester UL94V-0 , Color: Black
- Contact material: Phosphor Bronze t=0.35mm
- Contact plating: Contact area---Selective gold plating
Tails---Tin plating all over 50u" Nickel
- Operating Life: 750 Cycles min.
- PCB Retention Pre-solder: 1 LB min.
- PCB Retention Post-solder: 10 LBS min.

Electrical:

- Voltage Rating: 125VAC.
- Current Rating: 1.5AMP.
- Contact Resistance: 35mΩ max.
- Insulation Resistance: 1000MΩ min. @ 500 VDC
- Dielectric Strength: 1000 VAC 60Hz, 1 min.

Environmental:

- Storage: -40°C To +85°C
 - Operation: -40°C~+85°C
 - Wave Soldering Temp: 200~220°C(5~10S)
- Packing: 90pcs/Tray, 3600pcs/Carton

Order code: A-2004-2-X-LP-N

- Contact plating:
- Selective 15u" gold
 - Selective 30u" gold
 - Selective 50u" gold
 - Selective 6u" gold

RoHS compliant
Unit:mm

Scale	Free						Date	Name	Customer-No.
TOLERANCE						Drawn	27.05.2013	Amy	
X.X	±0.20					Approved	27.05.2013	Amy	ASSMANN WSW-No.
X.XX	±0.15								A-2004-2-X-LP-N
X.XXX	±0.10								Drawing-No.
DIM	TOL								ASS 5691 CO
		①	Drawn		27.05.2013	Amy			rev00
Angle	±5°	Id.	Modification		Date	Name			SHEET



1 2 3 4 5 6 7