

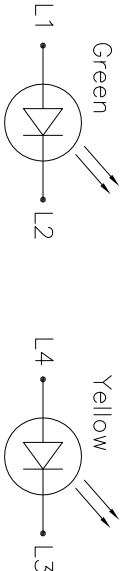
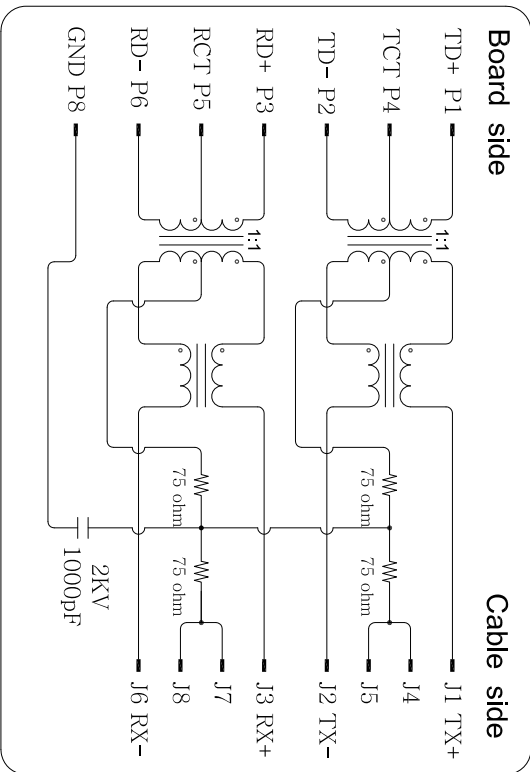
Rev	AWO #	Description	Date	Appr
		SEE SHT 1 OF 2 FOR REVISION		

APPROVED: _____

DATE: _____ TITLE: _____

ELECTRICAL CHARACTERISTICS :

1. INSERTION LOSS :
 - 1~100 MHZ -1.0DB MAX.
2. RETURN LOSS(LOAD 100Ω) :
 - 1~30 MHZ -18DB MIN
 - 30~60 MHZ -16DB MIN
 - 60~80 MHZ -12DB MIN
3. COMMON MODE REJECTION
 - 1~100 MHZ -30DB MIN
4. GROSS TALK
 - 1~100 MHZ -30DB MIN
5. INDUCTANCE @ 100KHZ, 0.1V, 8mA DC BIAS
 - (P1-P2),(P3-P6) : 350 uH MIN
6. DCR
 - (J1-J2),(J3-J6) : 1.2 Ohm MAX
7. HI-POT TEST
 - BOARD SIDE TO CABLE SIDE : 1500VAC 60S OR 2250VDC 60S
8. TURNS RATION 100KHZ
 - (P1-P2) : (J1-J2) = 1:1 ±%5
 - (P3-P6) : (J3-J6) = 1:1 ±%5



ADAM TECH

909 Railway Avenue, Union, NJ 07083
 Phone: 908-687-5000 Fax: 908-687-5710

TITLE: MODULAR JACK GANGED, 1 PORT, 8P8C
 RJA5, W/LED1 GREEN LED2 YELLOW

UNLESS OTHERWISE SPECIFIED ALL DIMENSIONS ARE INCHES [MM]	
TOLERANCES: EXCEPT AS NOTED	
INCHES	HOLES
.X ±.10	±.10
.XX ±.020	ØXXX ±.015
.XXX ±.015	ØXXX ±.010
APPROVALS	DATE
DRAWN	HR
CHECKED	RT
APPROVED	

SIZE	PART NO.	REV.
X	MTJ-88TX1-FSD-D1LH-M4Y-HT	-
REF:	S00101C	SCALE: NTS
		SHEET 2 OF 2