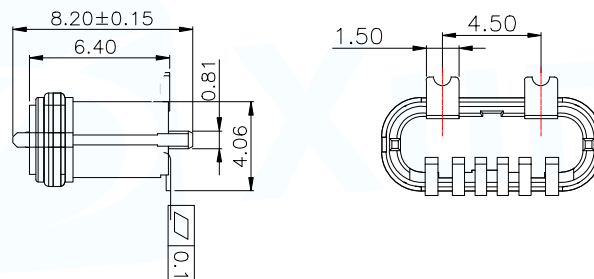
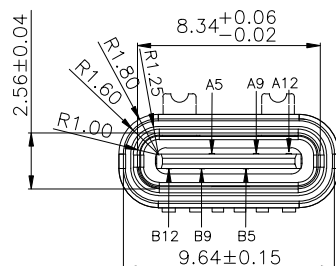
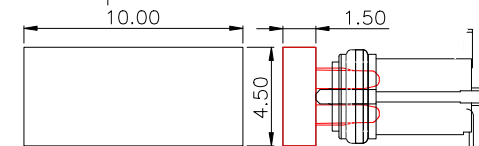
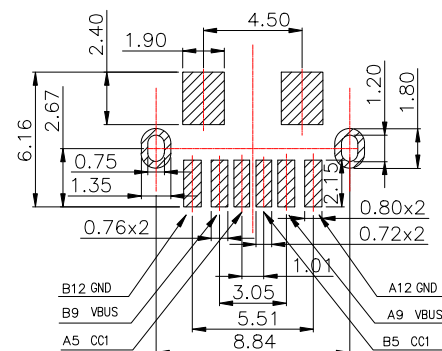
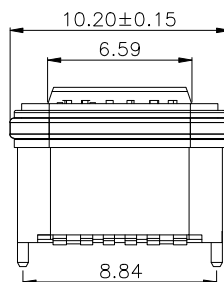


Cap dimensions



Note:

- 1.Material:
 - 1.1 Housing: lcp
 - 1.2 Contact:C5191,t=0.20mm
 - 1.3 Shell: Zinc Alloy
- 2.ELECTRICAL:
 - 2-1:CURUENT RATAING:
 - VBUS AND GND CONTACTS RATED AT 1.5A PARALLELED FOR A TOTAL OF 3A;
 - 2-2:INITIAL CONTACT RESISTANCE :40 MEGOHMS
 - 2-3:DIELECTRIC WITHSTANDING VOLTAGE:
 - 100V AC MIN;
- 3:MECHANICAL CHARACTERISTICS:
 - 3-1:MATING FORCE:5~20N
 - 3-2:UNMATING FORCE:8~20N(INITIAL),
 - 6~20N(AFTER 10000 CYCLES)
 - 3-3:FREQUENCE: 200±50 CYCLES /HOUR,10000 CYCLES
 - 3-4:OPERATING TEMPERATURE ;-40°~80°.
- 4: WATERPROOF: IP-X7.



A5	CC1	B12	GND
A9	VBUS	B9	VBUS
A12	GND	B5	CC2
PIN	SIGNAL NAME	PIN	SIGNAL NAME

RECOMMENDED P.C.B LAYOUT
TOP VIEW (TOLRANCE:±0.05)

MANUFACTURE DWG			东莞市讯普电子科技有限公司 DongGuan XunPu Electronics Co.,Ltd	
UNLESS OTHERWISE SPECIFIED TOLERANCES			TITLE: TYPE C 6PIN 立式 SMT TYPE	
DECIMALS:	ANGLES:	PAR	TYPEC-243-ARP6X7	
.X:±0.15	X':±1°	DWN		
.XX:±0.10		CHKD		
.XXX:±0.05		APVD		
CUSTOMER COPY		SCALE1:1	UNIT:MM	
		SIZE:A4	SHEET:1F1	REV:A