

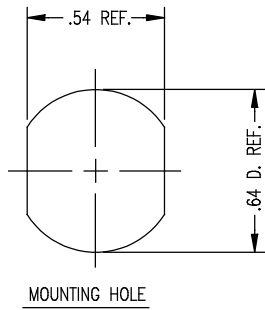
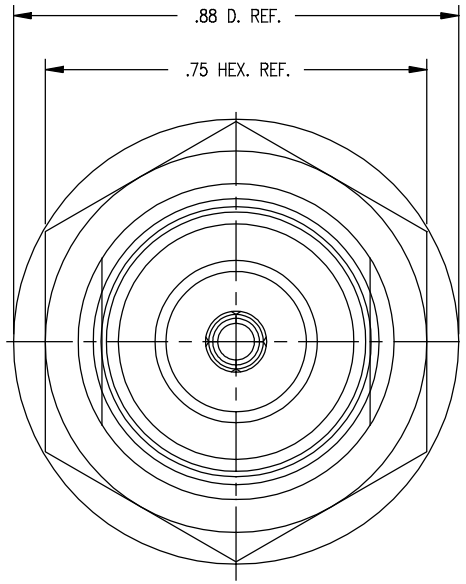
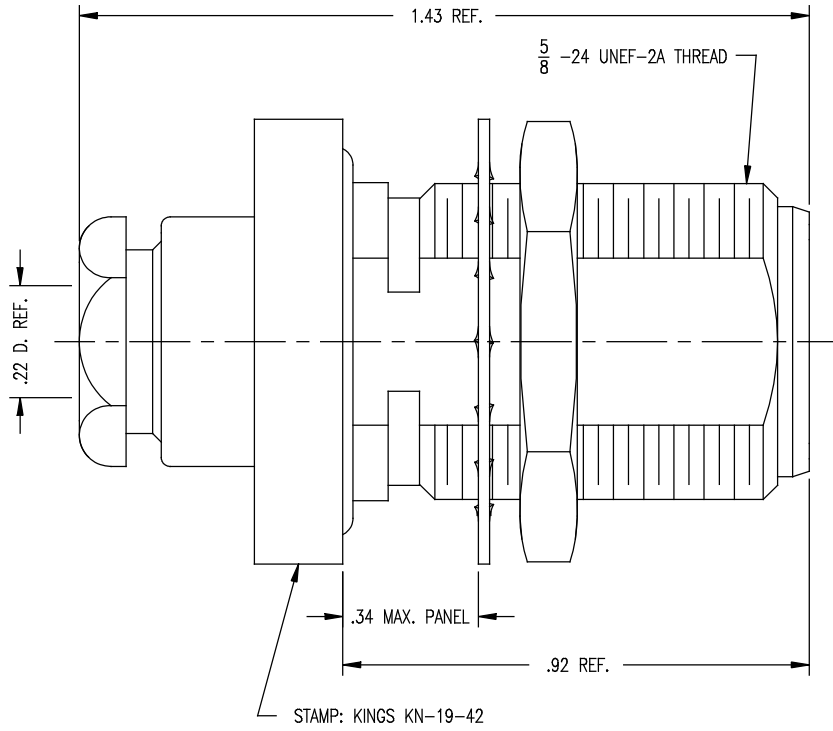
DASH NO.	M CODE	MADE FROM
----------	--------	-----------

GSD

KN-19-42 (SHT 1 OF 2)

REVISIONS	
ISSUE	CHANGES

1	CN 37245 C REDRAWN KH 02/26/97
---	--------------------------------------



MOUNTING HOLE

GSD

- NOTES:
- FOR USE WITH RG-55/U CABLE.
 - FOR CABLING INSTRUCTIONS SEE CP-1021.
 - INTERFACE PER MIL-STD-348, FIG. 304-2.
 - MATERIALS:
INSULATORS: TEFLON, ASTM-D-4894
GASKET & O-RING: SIL. RUB., ZZ-R-765
LOCKWASER: PHOS. BRONZE, ASTM-B-103
CENTER CONTACT: BER. COP., ASTM-B-196
ALL OTHER PARTS: BRASS, ASTM-B16
 - FINISHES:
CENTER CONTACT: HARD GOLD PLT. PER MIL-G-45204
ALL OTHER METAL PARTS: SILVER PLT. PER QQ-S-365
 - ELECTRICAL CHARACTERISTICS:
NOMINAL IMPEDANCE: 50 OHMS
VOLTAGE RATING: 1000 VRMS
FREQUENCY RANGE: DC TO 11GHz

SCALE 4:1	
APPROX SURFACE AREA	
USED ON	
REF:	
JACK, BULKHEAD, N	
DRAWN KH	DATE 02/26/97
DESIGN PB	DATE 02/27/97
APPR.	DATE

KINGS
ELECTRONICS CO., INC.
TUCKAHOE, NEW YORK 10707

KN-19-42 (SHT 1 OF 2)