

PLEASE CHECK WWW.MOLEX.COM FOR LATEST PART INFORMATION

Part Number: [0677990004](#)
Status: **Active**
Description: 1.27mm (.050") Pitch CompactFlash Card Receptacle, SMT, 3.00mm (.118") Flange Height, with Receptacle Tails Away From Packaging Tape Peeling Direction, Flange Type B, Gold (Au) Flash, Matte Tin Plating on Solder Area, Lead Free

Documents:

[3D Model](#) [Product Specification PS-67799-001 \(PDF\)](#)
[Drawing \(PDF\)](#) [RoHS Certificate of Compliance \(PDF\)](#)

Agency Certification

UL E29179

General

Product Family Memory Card Sockets
 Series [67799](#)
 Button Type Straight
 Comments Flange Type B
 Component Type Receptacle (Card)
 Product Name CompactFlash
 Type I

Physical

Card Detection Switch No
 Circuits (Loaded) 50
 Circuits (maximum) 50
 Durability (mating cycles max) 10,000
 Ejector Button Side No Ejector Button Present
 Entry Angle 90° Angle (Side Entry)
 Flammability 94V-0
 Keying to Mating Part Yes
 PCB Locator No
 PCB Mounting Side N/A
 PCB Retention None
 Packaging Type Embossed Tape on Reel
 Pitch - Mating Interface (in) 0.050 In
 Pitch - Mating Interface (mm) 1.27 mm
 Pitch - Term. Interface (in) 0.025 In
 Pitch - Term. Interface (mm) 0.64 mm
 Ports 1
 Surface Mount Compatible (SMC) Yes
 Temperature Range - Operating -20°C to +85°C

Electrical

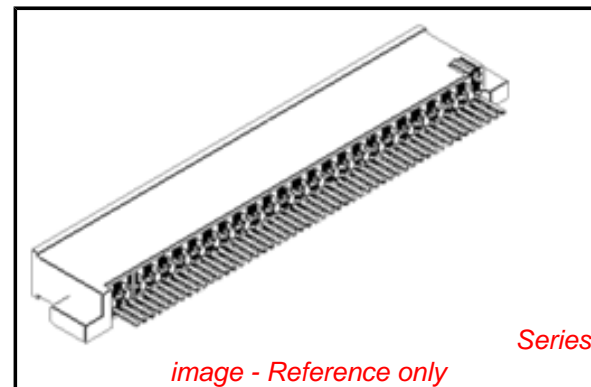
Current - Maximum per Contact 0.5A
 Voltage - Maximum 500V AC
 Voltage Key 3.3V, 5.0V

Solder Process Data

Duration at Max. Process Temperature (seconds) 10
 Lead-free Process Capability Wave Capable (TH only)
 Max. Cycles at Max. Process Temperature 2
 Process Temperature max. C 260

Material Info

Reference - Drawing Numbers



EU RoHS

ELV and RoHS Compliant
REACH SVHC Contains SVHC: No
Halogen-Free Status
Halogen-Free

China RoHS



Need more information on product environmental compliance?

Email productcompliance@molex.com
 For a multiple part number RoHS Certificate of Compliance, [click here](#)

Please visit the [Contact Us](#) section for any non-product compliance questions.

Search Parts in this Series

[67799Series](#)

Mates With

Industry standard headers|Type I & Type II

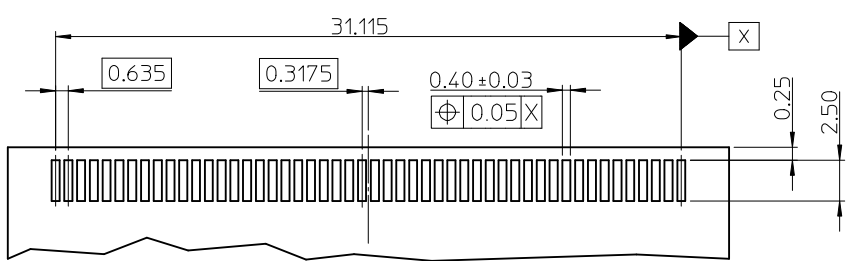
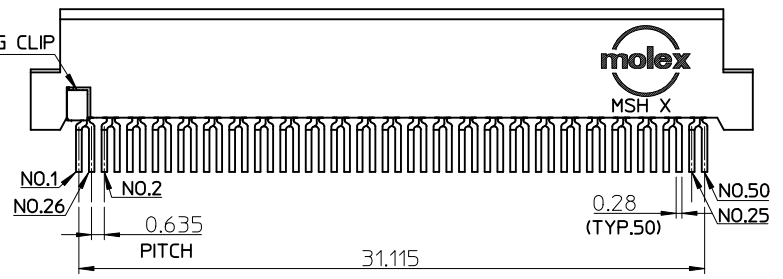
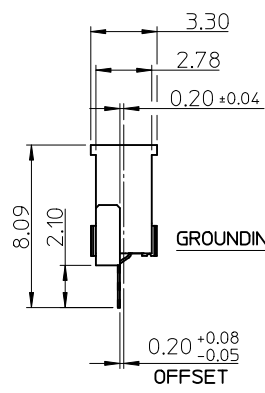
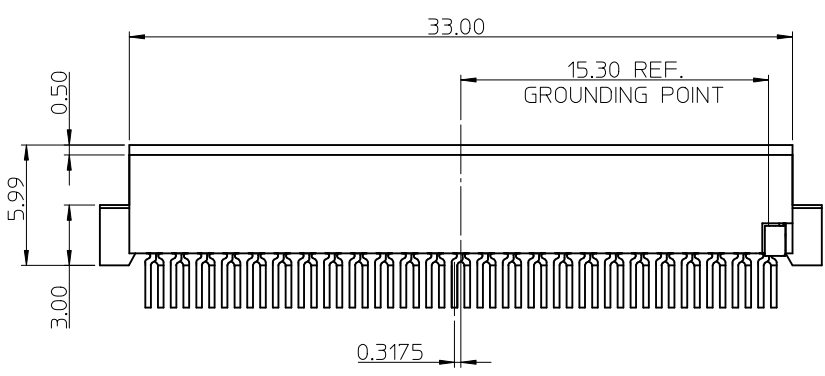
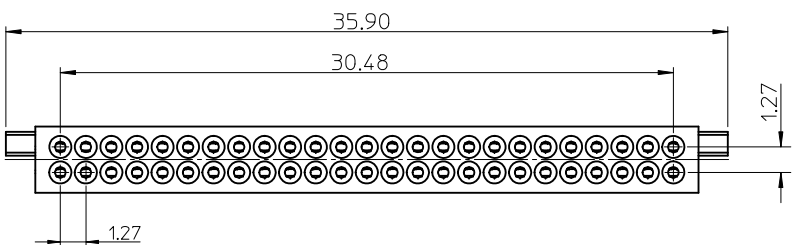
Use With

[67045](#) Card Kit, [67046](#) Card Kit

This document was generated on 04/07/2010

PLEASE CHECK WWW.MOLEX.COM FOR LATEST PART INFORMATION

10 9 8 7 6 5 4 3 2 1



PCB LAYOUT RECOMMEND

NOTE:
 1.MATERIAL:
 HOUSING, HIGH TEMPERATURE POLYMER.
 TERMINAL, COPPER ALLOY.
 GROUNDING CLIP, COPPER ALLOY.
 2.FINISH: TERMINAL:
 NICKEL OVERALL THICKNESS 0.5 MICRON MINIMUM,
 CONTACT AREA(SEE TABLE):
 a. SELECTIVE GOLD 0.1 MICRON MINIMUM OVER
 PALLADIUM/NICKEL 0.5 MICRON MINIMUM,
 b. SELECTIVE GOLD 0.75 MICRON MINIMUM OVER
 NICKEL 0.5 MICRON MINIMUM (FOR P/N:67799-0008),
 SOLDER AREA:(SEE TABLE)
 a.MATTE TIN /TIN-LEAD 5.0 MICRON MINIMUM
 b.GOLD FLASH 0.05 MICRON MINIMUM.
 GROUNDING CLIP:
 GOLD FLASH OVERALL OVER NICKEL 1.25 MICRON MINIMUM.
 3.TERMINAL COPLANARITY 0.08mm MAXIMUM.
 4.PRODUCT SPECIFICATION: PS-67799-001.
 5.PACKAGE: PK-67799-001.
 6.GROUNDING CLIP CONDUCTS WITH TERMINAL NO.1, NO.26.

67799-0008	CONTACT AREA: 30U' GOLD SOLDER TAIL: GOLD FLASH
67799-0007	GOLD FLASH PLATING
67799-0004	MATTE TIN PLATING
MATERIAL NO.	PLATING TYPE IN SOLDER TAIL

REMOVED 677990006	DESCRIPTION
EC NO: SH2010-0275	2010/01/08
DRWN: JZENG	2010/01/21
CHKD: WFDENG	2010/01/26
APPR: WFDENG	
REV	

QUALITY SYMBOLS	GENERAL TOLERANCES (UNLESS SPECIFIED)
▽=0	
∇=0	
	ANGULAR ± 3 °
	DRAFT WHERE APPLICABLE MUST REMAIN WITHIN DIMENSIONS

DIMENSION STYLE MM ONLY	
DRAWN BY	DATE
B. CHU	2003/02/20
CHECKED BY	DATE
W. CHANG	2003/02/20
APPROVED BY	DATE
WFDENG	2010/01/21
MATERIAL NO.	
SEE TABLE	
SIZE	
A3	

SCALE 4:1	DESIGN UNITS METRIC	THIRD ANGLE PROJECTION
TITLE 50 CKT CF RECEPTACLE SMT TYPE B, OFFSET 0.20MM		
MOLEX INCORPORATED		
MATERIAL NO.	DOCUMENT NO.	SHEET NO.
SEE TABLE	SD-67799-004	1 OF 2
THIS DRAWING CONTAINS INFORMATION THAT IS PROPRIETARY TO MOLEX INCORPORATED AND SHOULD NOT BE USED WITHOUT WRITTEN PERMISSION		

9 8 7 6 5 4 3 2 1

10 9 8 7 6 5 4 3 2 1

F

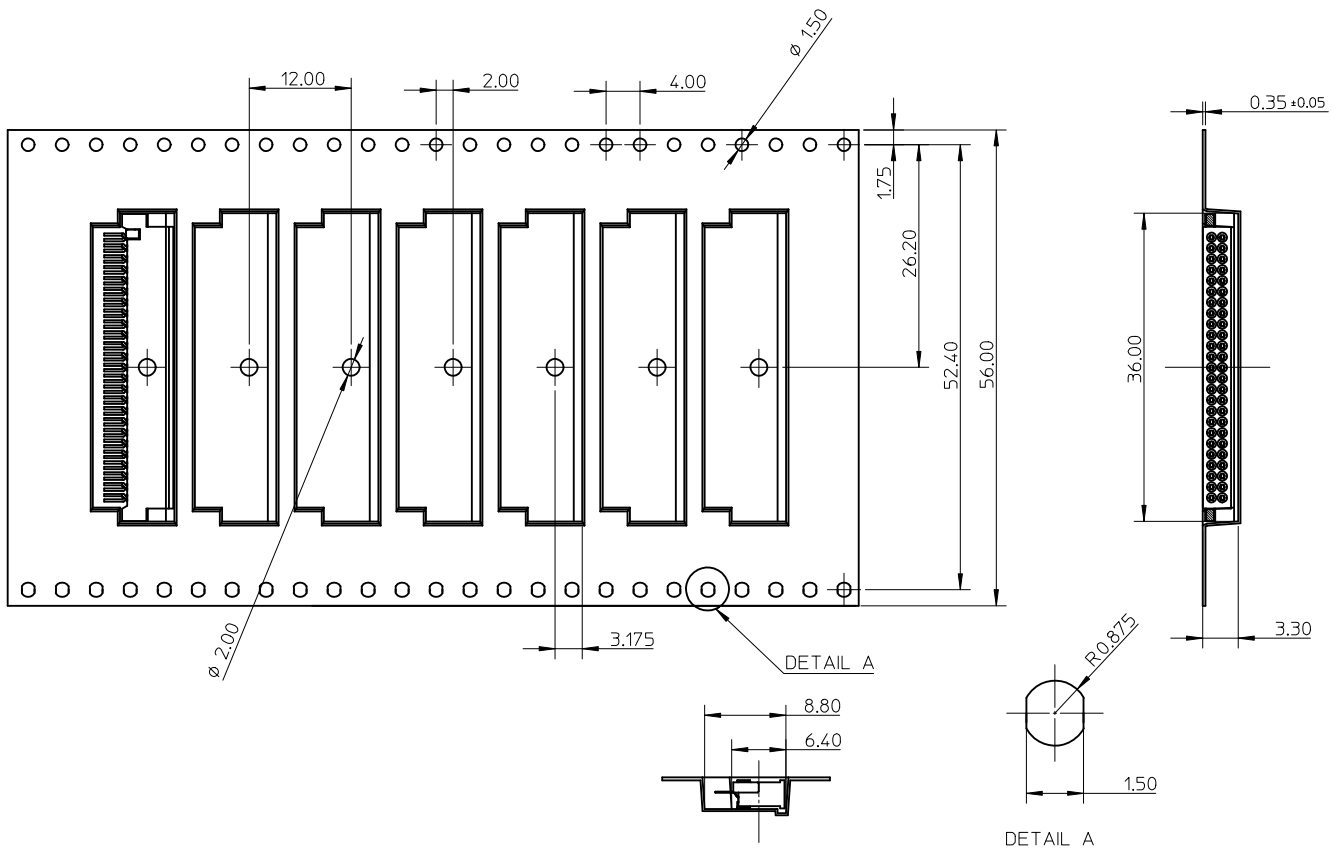
E

D

C

B

A



Note:
 1. Material: Black Conductive Polystyrene.
 2. All dimensions meet EIA-481-B requirements.
 3. Packing length per 13" reel: 19.5 Meters.
 4. Component load per 13" reel: 1000 pcs.

REVISED EC NO: SH2010-0275 DRWN: ZENG CHKD: WFDENG APPR: WFDENG	2010/01/08	2010/01/21	2010/01/26	QUALITY SYMBOLS $\blacktriangledown = 0$ $\triangleleft = 0$	GENERAL TOLERANCES (UNLESS SPECIFIED)		DIMENSION STYLE MM ONLY		SCALE 2:1	DESIGN UNITS METRIC	THIRD ANGLE PROJECTION	
	DESCRIPTION	REV	REV		4 PLACES ± --- ± --- 3 PLACES ± --- ± --- 2 PLACES ± 0.25 ± --- 1 PLACE ± 0.25 ± --- ANGULAR ± 3 °	mm INCH	DRAWN BY B. CHU CHECKED BY W. CHANG APPROVED BY WFDENG MATERIAL NO. SEE SHEET 1	DATE 2003/02/20 DATE 2003/02/20 DATE 2010/01/21	TITLE 50 CKT CF RECEPTACLE SMT TYPE B, OFFSET 0.20MM	MOLEX INCORPORATED DOCUMENT NO. SD-67799-004		
	DRAFT WHERE APPLICABLE MUST REMAIN WITHIN DIMENSIONS				SIZE A3	THIS DRAWING CONTAINS INFORMATION THAT IS PROPRIETARY TO MOLEX INCORPORATED AND SHOULD NOT BE USED WITHOUT WRITTEN PERMISSION						
									SHEET NO. 2 OF 2			

9 8 7 6 5 4 3 2 1