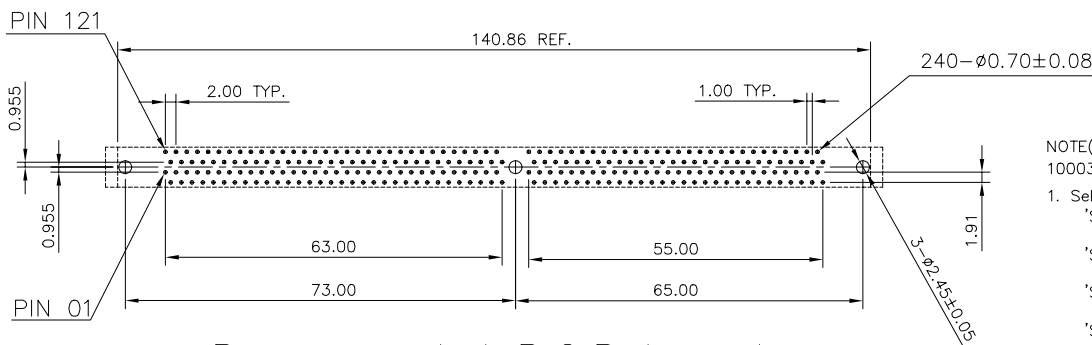


NOTE(2):  
 1.CARD SLOT ACCEPTS 1.27mm ±0.05 MODULE THICKNESS.  
 2.ALL PEGS ARE INTERFERENCE FITS TO PCB UNLESS NOTED.  
 3.PRODUCT IS PACKAGED IN TRAYS.  
 4.RECOMMENDED MODULE LAYOUT SHALL BE PER SHEET 2.

MATERIALS:  
 HOUSING: THERMOPLASTIC,UL 94V-0 RATED,COLOR BLACK.  
 EJECTOR: THERMOPLASTIC,UL 94V-0  
 COLOR: IVORY  
 CONTACT: COPPER ALLOY , 0.25mm THICK  
 50u" NICKEL PLATING OVER ENTIRE CONTACT  
 100u" MIN. TIN/LEAD PLATING OVER NICKEL.  
 GOLD PLATING AT MATING AREA.  
 METAL-HOLDDOWN: COPPER ALLOY

ELECTRICAL:  
 VOLTAGE RATING: 250 V  
 CURRENT RATING: 1.0 A MAX.  
 CONTACT RESISTANCE: 30 MΩ MAX.  
 DIELECTRIC WITHSTANDING VOLTAGE: 1000V.  
 INSULATION RESISTANCE: 1000MΩ MIN.



NOTE(1):  
 100039FS240□□00ZA

1. Selective plating  
 'S1,-05u" Min. gold in contact area/  
 100u" Min. Tin in solder area.  
 'S2,-Gold flash in contact area/  
 100u" Min. Tin in solder area.  
 'S3,-10u" Min. gold in contact area/  
 100u" Min. Tin in solder area.  
 'S4,-15u" Min. gold in contact area/  
 100u" Min. Tin in solder area.  
 'S5,-30u" Min. gold in contact area/  
 100u" Min. Tin in solder area.  
 'S6,-50u" Min. gold in contact area/  
 100u" Min. Tin in solder area.

### Recommended P.C.B Layout

①: ◇ CPK Dimension Measure point

NO.	DESCRIPTION	MATERIAL	COLOR	REMARK
4	Fork	Copper alloy	—	Tin Plated
3	Terminal	Copper alloy	—	Selective Gold/Tin
2	Ejector	High Temp Plastics	IVORY	UL94V-0
1	Plastics	High Temp Plastics	BLACK	UL94V-0

**SUYIN**  
CONNECTOR

CUSTOMER COPY TITLE: 1.00 PITCH SINGLE KEY 240 DDR II DIMM SALES DRAWING

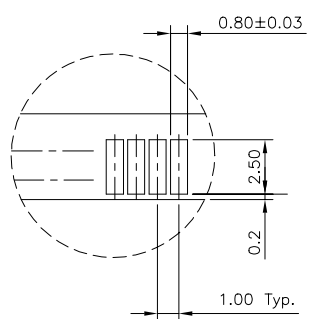
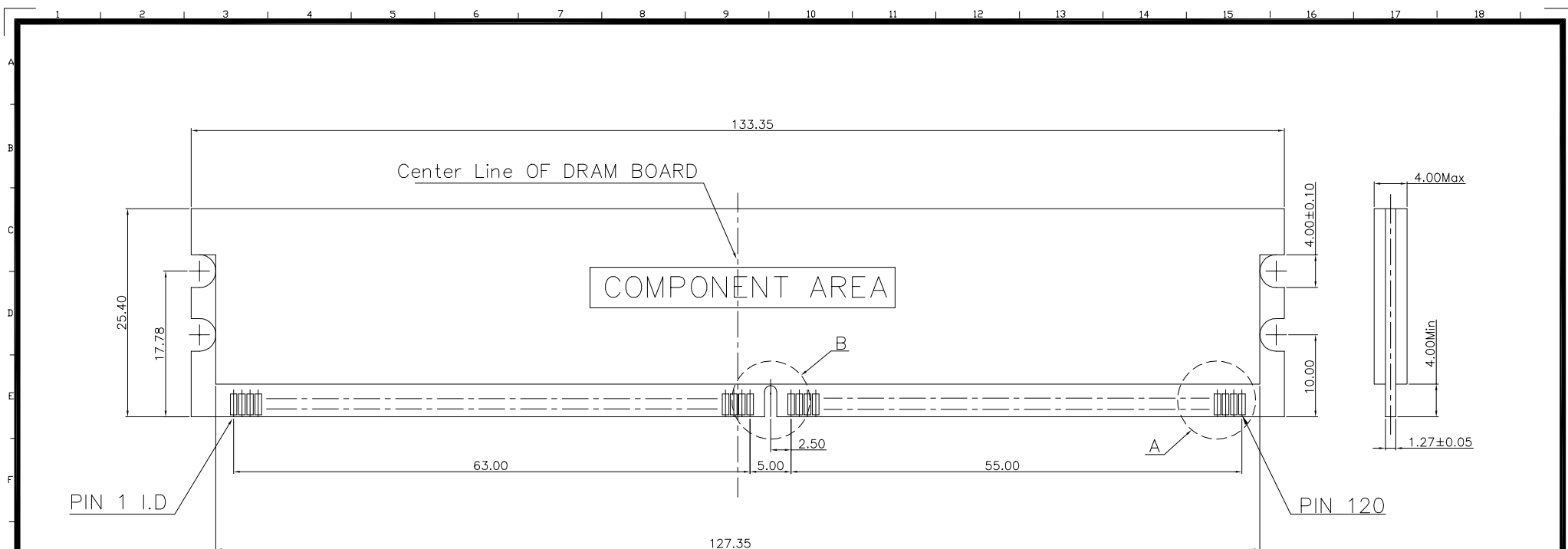
PART NO. 100039FS240SX00ZA

PART NO. (OLD)

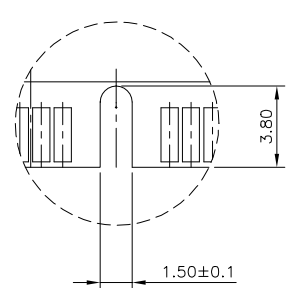
DRAWING NO. 100039FS240SX00ZA

SCALE 1:1 UNIT mm A4

ECN (DCN) NO.	REV	DATE	DESCRIPTION	CHANGE	APPRO.	GENERAL TOLERANCE UNLESS OTHERWISE NOTED	APPRO.
	0		NEW			Angle ±2° 30 ~ ±0.50 10 ~ 30 ±0.30 ~ 10 ±0.15	DRAW DESIGN CHECK APPRO.



DETAIL A (2:1)



DETAIL B (2:1)

4	Fork	Copper alloy	—	Tin Plated
3	Terminal	Copper alloy	—	Selective Gold/Tin
2	Ejector	High Temp Plastics	IVORY	UL94V-0
1	Plastics	High Temp Plastics	BLACK	UL94V-0
NO.	DESCRIPTION	MATERIAL	COLOR	REMARK

**SUYIN**  
CONNECTOR

CUSTOMER COPY TITLE: 1.00 PITCH SINGLE KEY 240 DDR II DIMM SALES DRAWING

PART NO. 100039FS240SX00ZA

PART NO. (OLD)

DRAWING NO. <sup>D</sup>/<sub>ING</sub> 100039FS240SX00ZA

SCALE 1:1 UNIT mm A4

						Angle	±2°	DRAW		
						30 ~	±0.50	DESIGN		
						10 ~ 30	±0.30	CHECK		
						~ 10	±0.15	APPRO.		
ECN (DCN) NO.	REV	DATE	DESCRIPTION	CHANGE	APPRO.	GENERAL TOLERANCE UNLESS OTHERWISE NOTED		APPRO.		
	0		NEW							